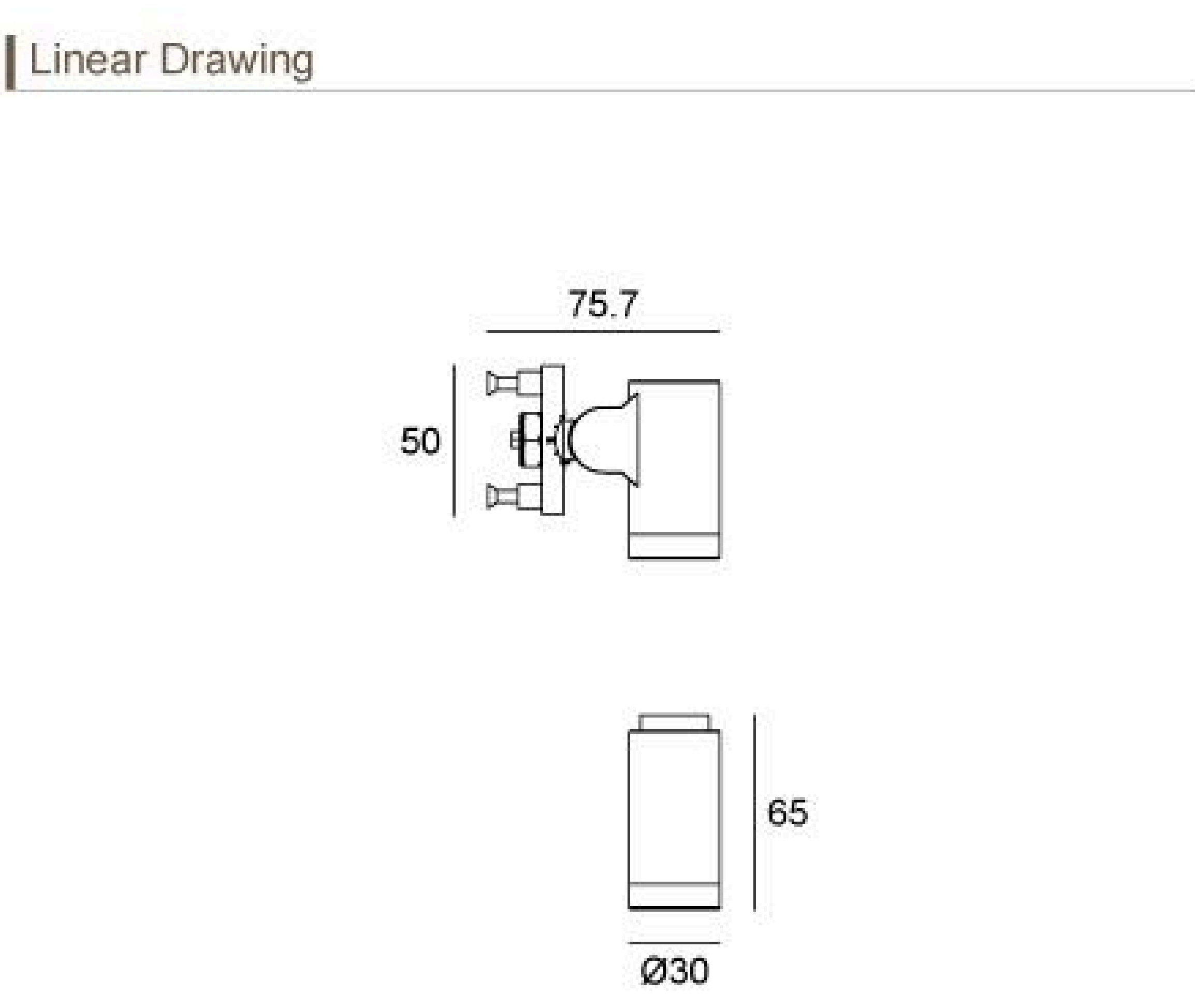
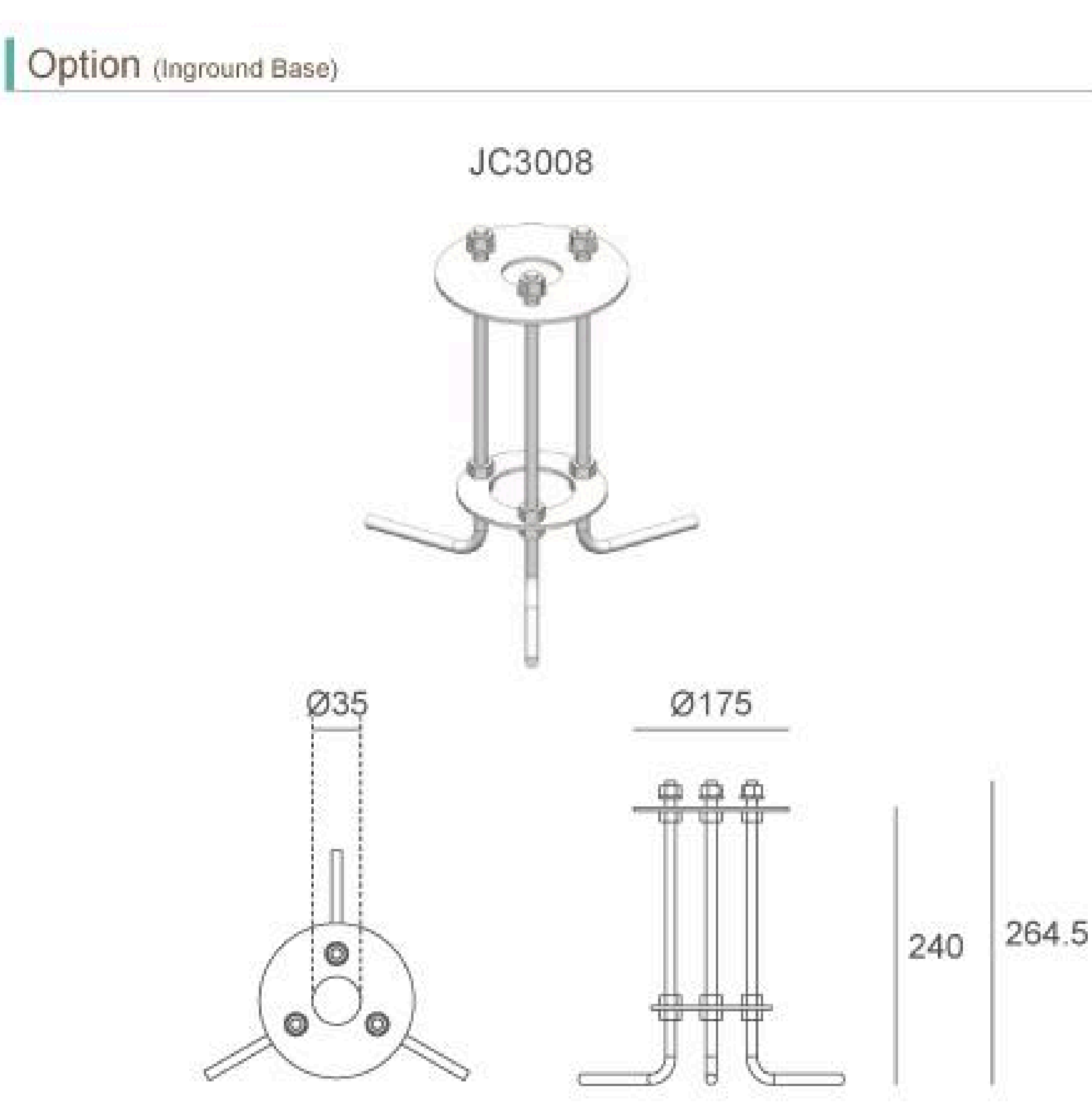


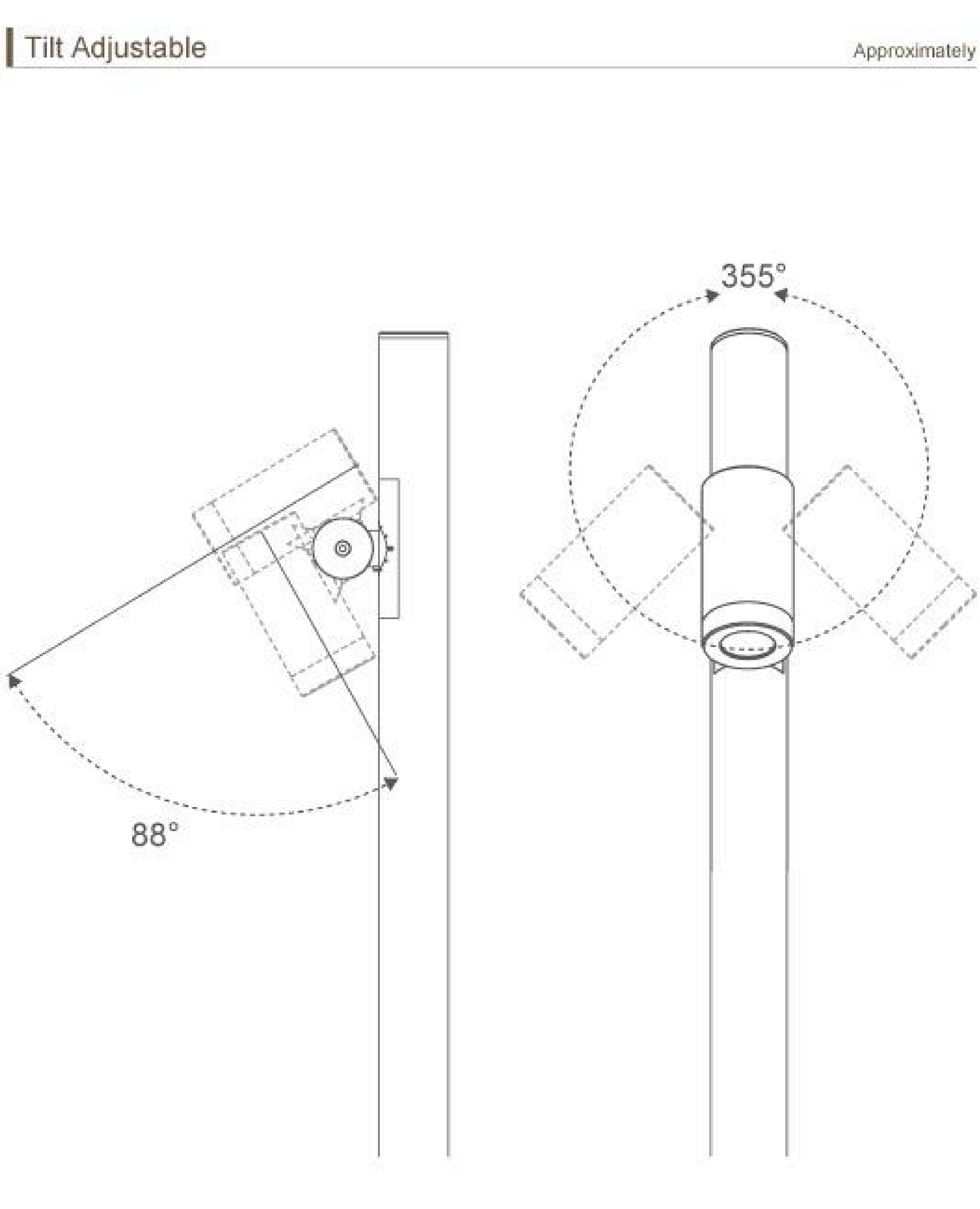
09ZARB0156	
Light Source	1W
Lens	B17
Selected Degree (°)θ1/2	30°
Input Voltage (V)	DC 24
Operating Current (MA)	24V=48
Consumption (W)	24V=1.2
Luminance (LM)	24V=100
IK	02
Cable Length (mm)	1700



Specification	
Housing	12# Die-casting aluminum powder coated. T=60-80µm Adhesion of ISO class 1/ASTM class 4B
Light Window	Tempered Glass. T=2mm
Lens	Optical lens, efficiency≥85%
LED Type	SMD
LED Driver	Built in on/off driver
Operating Temperature	-20°C~40°C
Power Cable	Outside of luminaire (Without waterstopper) 24V: SPT-1W 2×0.824mm <sup>2</sup> L=1.7m
Mounting Cable	Powder coated die-casting aluminum
Dimming Support	External DALI supported TRIAC, 0-10V, PWM via external driver on request



Painting Color	
Primary	Secondary



Item	09ZACB0356	09ZACB0456	09ZACB0556
Light quantity	3x09ZARB0156	4x09ZARB0156	5x09ZARB0156
Lens	B17	B17	B17
Input voltage (V)	DC 24	DC 24	DC 24
Operating current (mA)	24V=144	24V=192	24V=300
Consumption (W)	24V=3.6	24V=4.8	24V=7
Luminance (Lm)	300	400	500
Pole Diameter	Ø25	Ø25	Ø25
Height	600	1000	1200
Material	Aluminum	Aluminum	Aluminum

