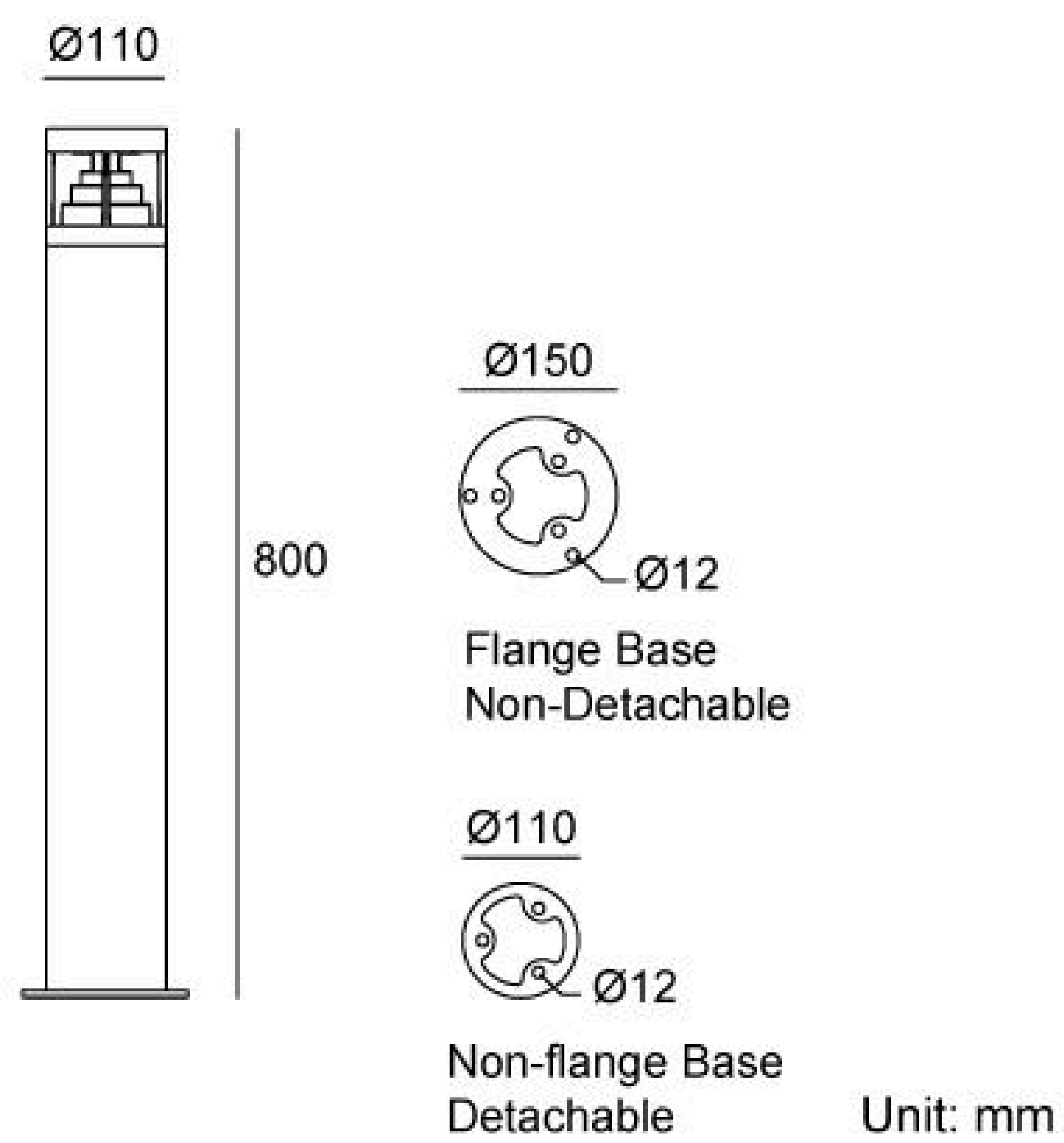


# 09EFHD2434

Height (mm)	800
Light Source	24x0.2W
Input Voltage (V)	DC 24 AC 120 240
Operating Current (MA)	24V=250 120V=95 240V=50
Consumption (W)	24V=6 120V=6.7 240V=6.5
Luminance (LM)	VW=127
IK	07

## Linear Drawing



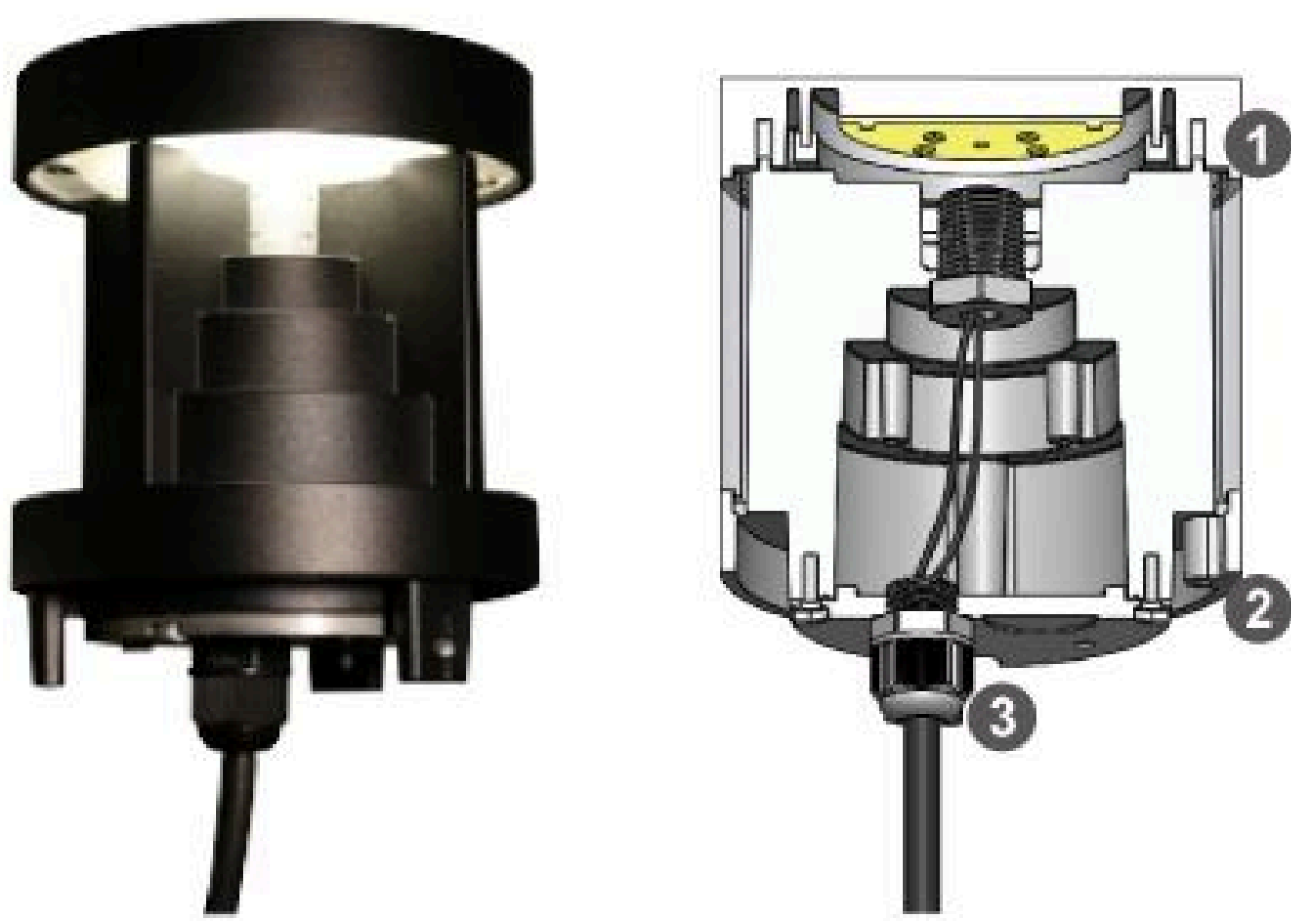
## Specification

Housing	12# Die-casting aluminum powder coated. T=60-80µm Adhesion of ISO class 1/ASTM class 4B
Light Window	PMMA
LED Type	SMD
LED Driver	Built in on/off driver
Operating Temperature	-20°C~40°C
Power Cable	Outside of luminaire (Without waterstopper) 24V: H05RN-F 2×1.0mm², L=0.5m 120V/240V: H05RN-F 3×1.0mm², L=0.5m
Base	Flange base
Dimming Support	External DALI supported TRIAC,0-10V, PWM via external driver on request

## Painting Color

Primary	Sanded Black RAL 9005
Secondary	Sanded Dark Grey KAP 7037
	Sanded Bronze KAP 7008

## Modular Light Source and Power with IP-66



- 1 IP66 light source module with pc cover
- 2 IP66 built-in power module
- 3 IP67 cable gland



## Base Options

Source Mounting Base	Inground Base (Optional)	Ground Anchor Base (Optional)
<p>Type A Flange Base Non-Detachable</p>	<p>JC3001</p>	<p>22A</p> <p>Installation steps (Optional)</p>
<p>Type B Non-flange Base Detachable</p>	<p>JC3002</p>	<p>25A</p> <p>Installation steps (Optional)</p>

## Photometric

