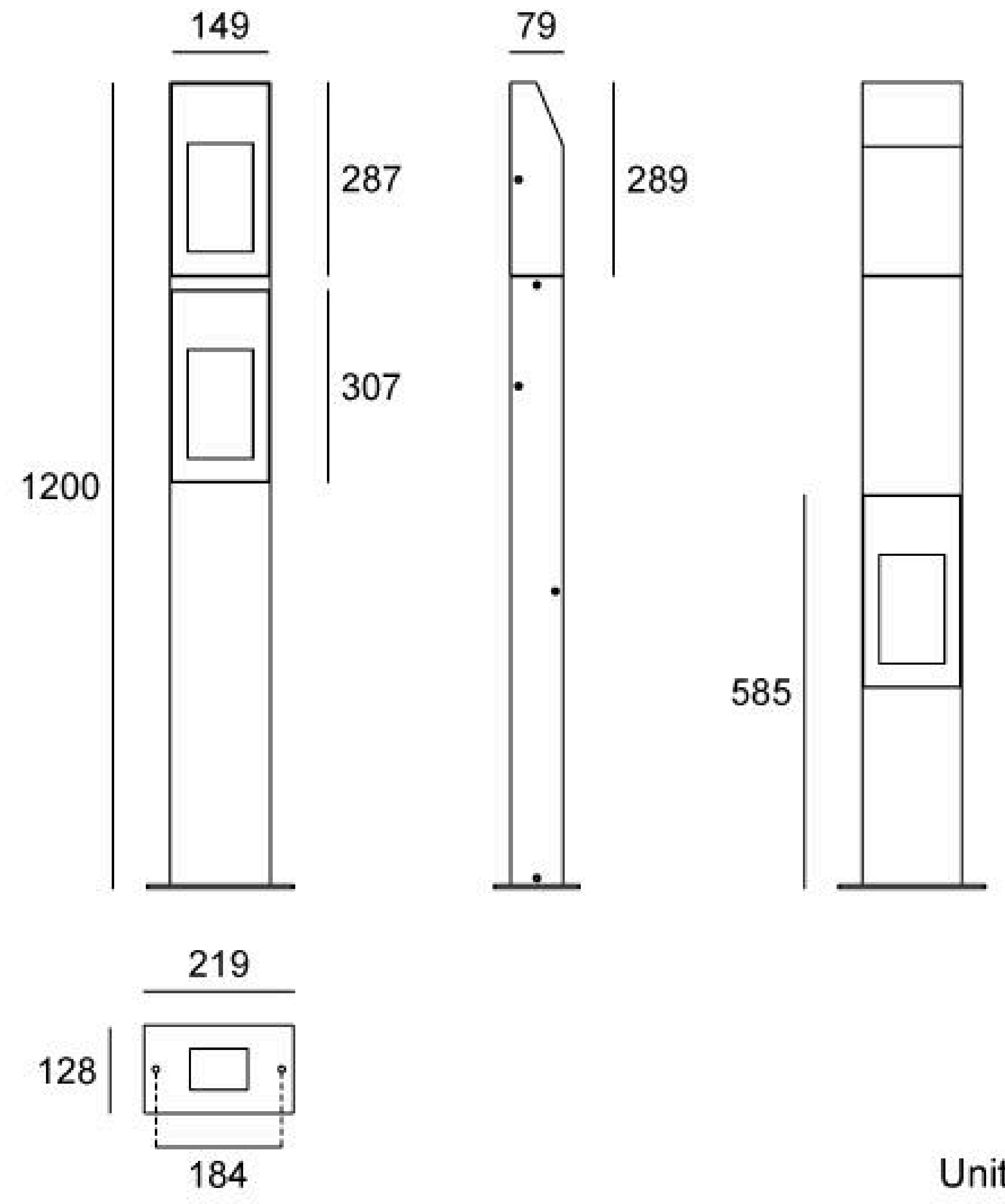


# 09ECB0369

Height (mm)	1200
Light Source	3×18W
Selected Degree (°)θ1/2	60°
Input Voltage (V)	AC 240
Operating Current (MA)	240V=267
Consumption (W)	240V=60
Luminance (LM)	WW=3×1100
IK	05

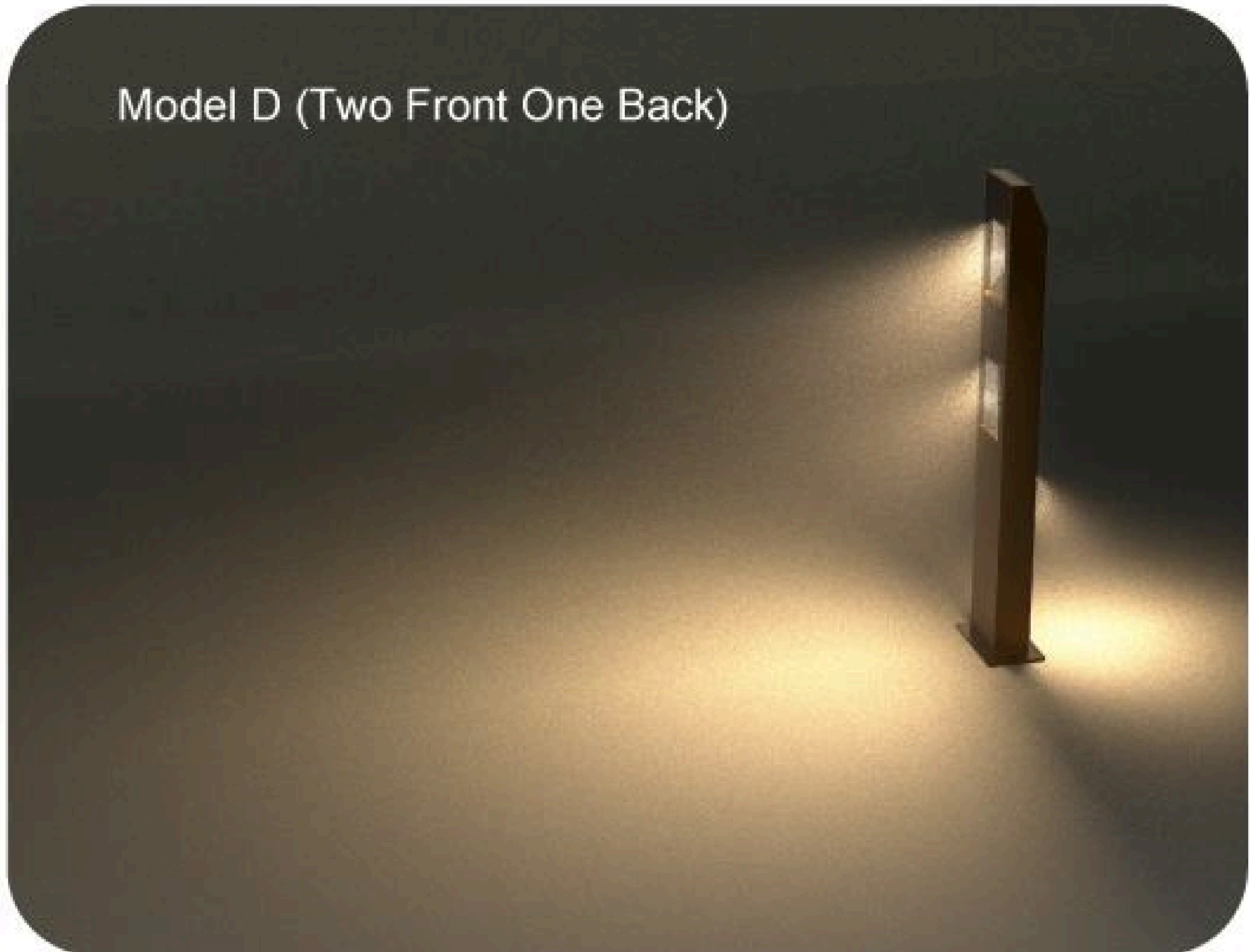
## Linear Drawing



Unit: mm

## Specification

Housing	12# Die-casting aluminum finishing or powder painting. T=60-80µm. Adhesion of ISO class 1/ASTM class 4B
Light Window	Tempered Glass
Gasket	Tooling shaped seal
LED Type	COB
Operating Temperature	-20°C~40°C
LED Driver	Built in on/off driver
Power Cable	Outside of luminaire (Without waterstopper) H05RN-F 3×1.0mm² L=0.3m



## Painting Color

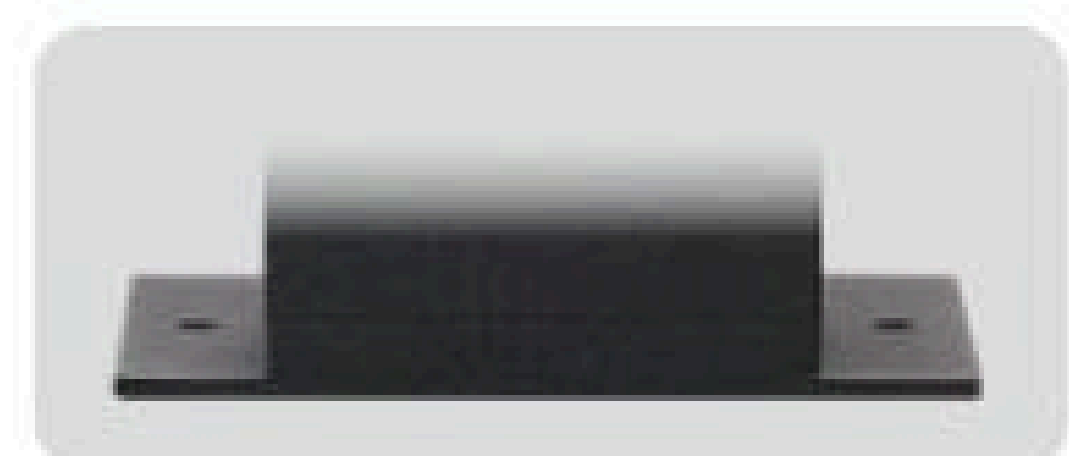
Primary



Secondary



## Base Options

Screw Base	Inground Base (Option)
<p>Flange base secures the fixture with screws, directly locking from surface.</p> 	<p>JC3018</p> 