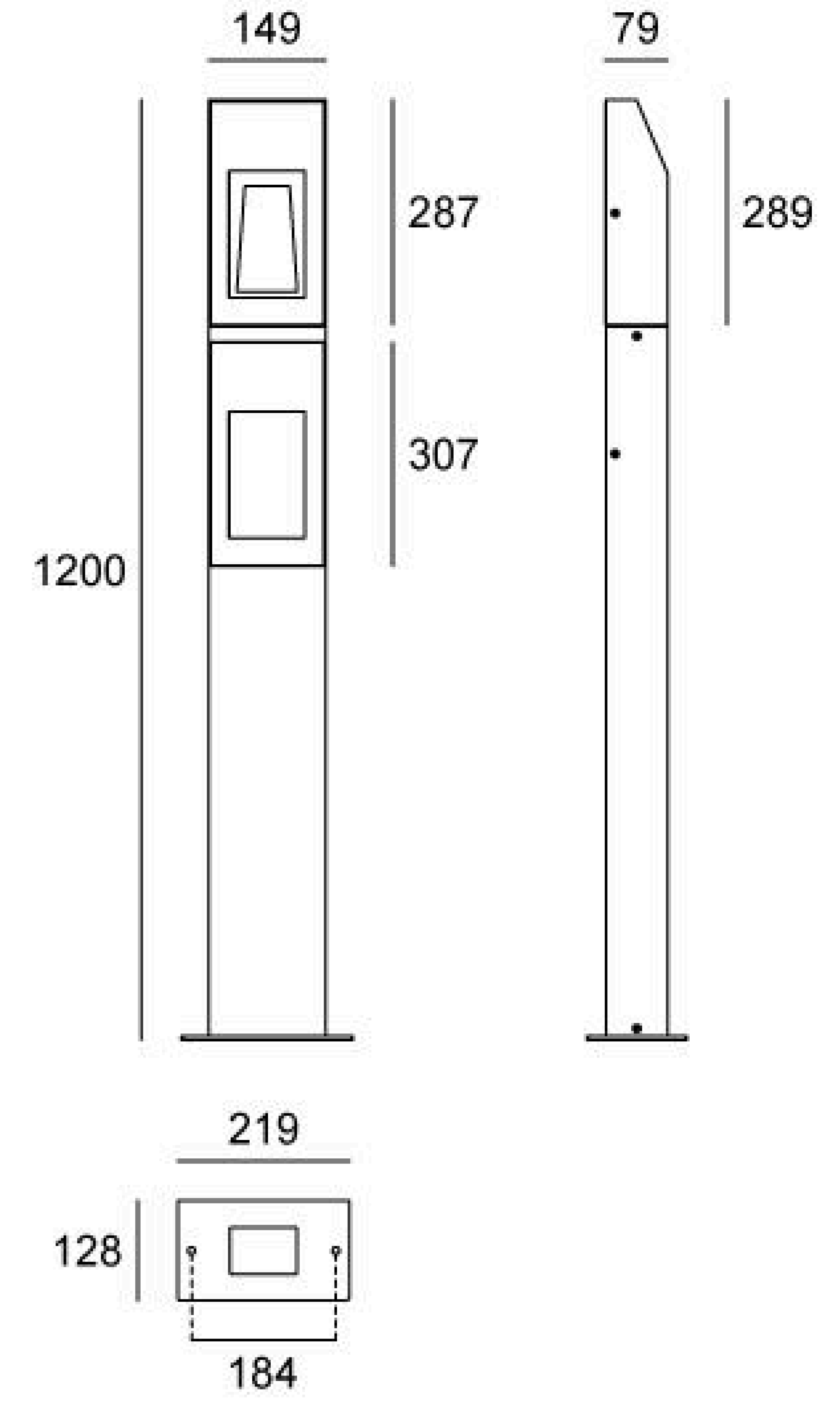


09ECB0269F

Height (mm)	1200
Light Source	2×18W
Selected Degree (°)θ1/2	60°
Input Voltage (V)	AC 240
Operating Current (MA)	240V=178
Consumption (W)	240V=40
Luminance (LM)	WW=2×1100
IK	05

Linear Drawing

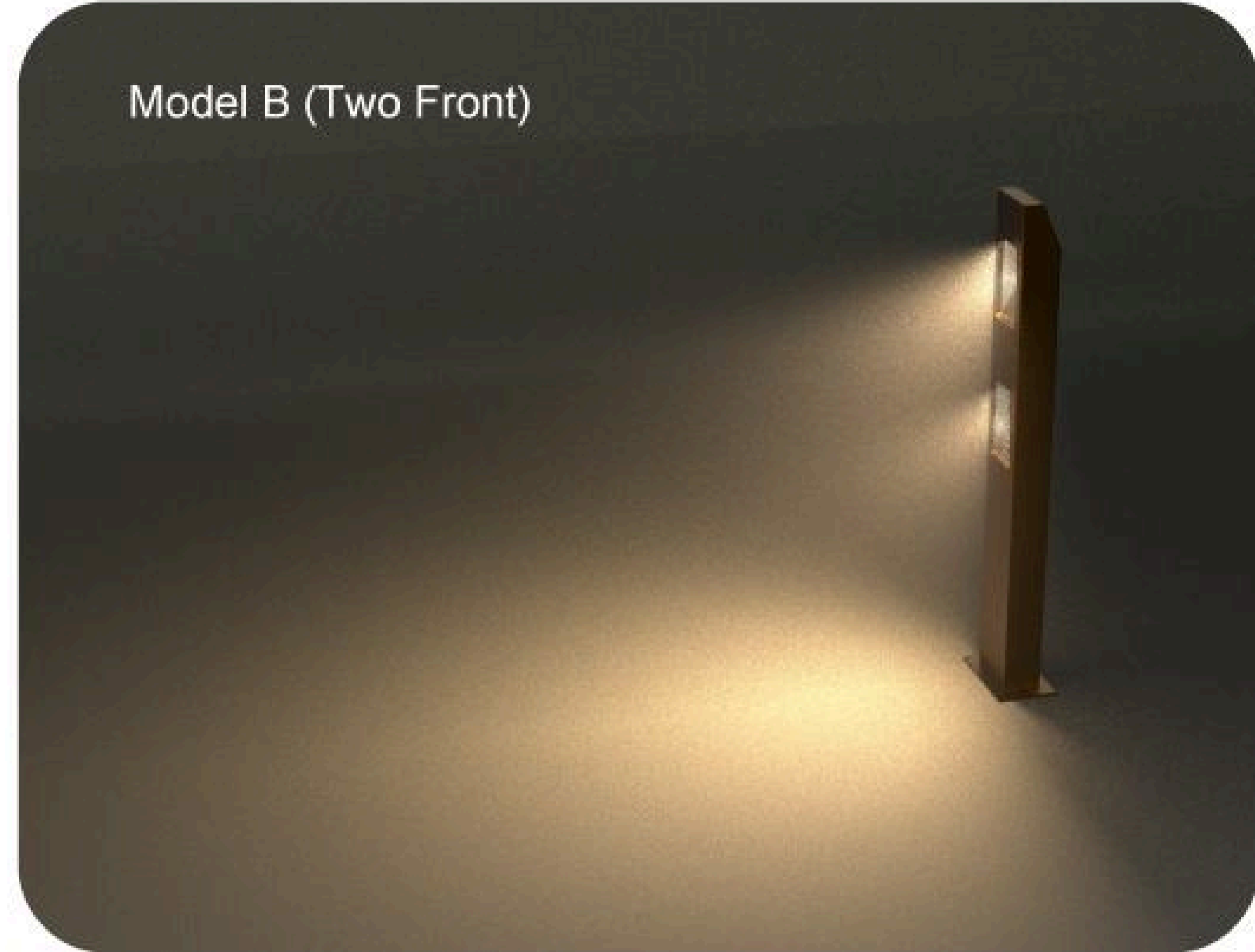


Unit: mm

Specification

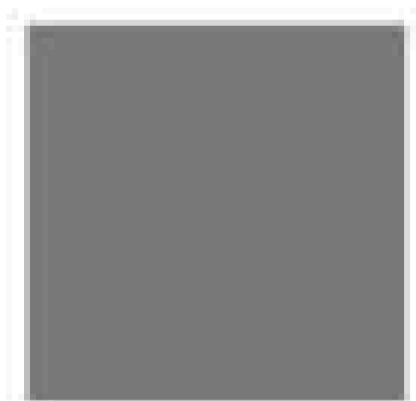
Housing	12# Die-casting aluminum finishing or powder painting. T=60-80µm. Adhesion of ISO class 1/ASTM class 4B
Light Window	Tempered Glass
Gasket	Tooling shaped seal
LED Type	COB
Operating Temperature	-20°C~40°C
LED Driver	Built in on/off driver
Power Cable	Outside of luminaire (Without waterstopper) H05RN-F 3×1.0mm² L=0.3m

Model B (Two Front)



Painting Color

Primary

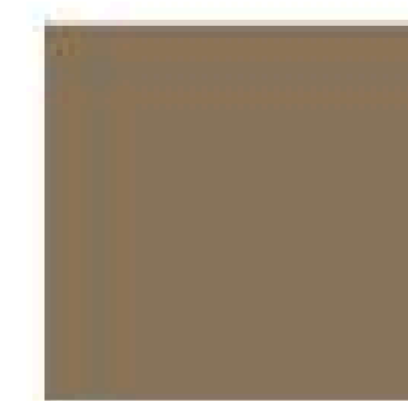


Sanded Dark Grey
KAP 7037

Secondary



Sanded Black
RAL 9005

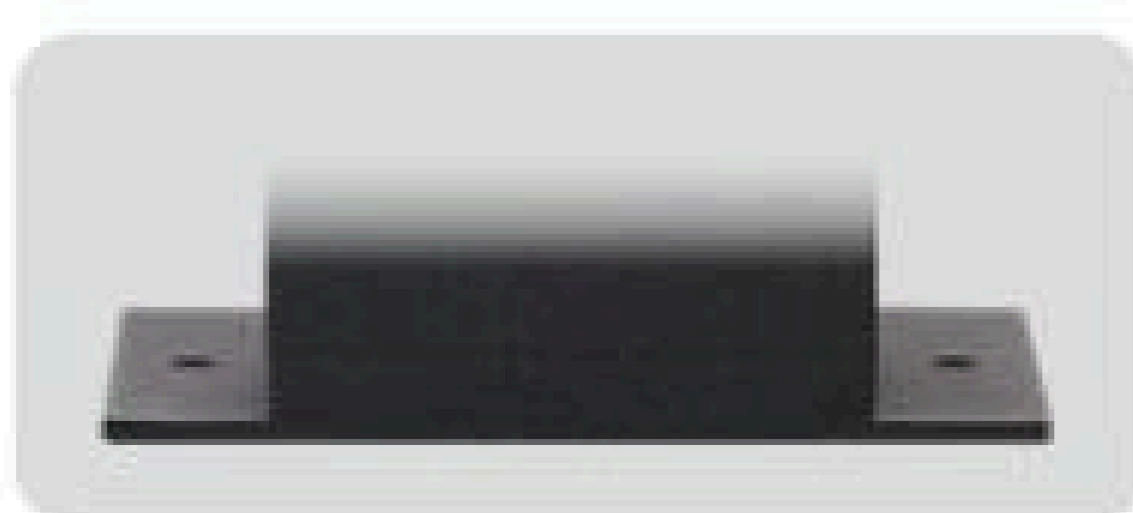


Sanded Bronze
KAP 7008

Base Options

Screw Base

Flange base secures the fixture with screws, directly locking from surface.



Inground Base (Option)

JC3018

