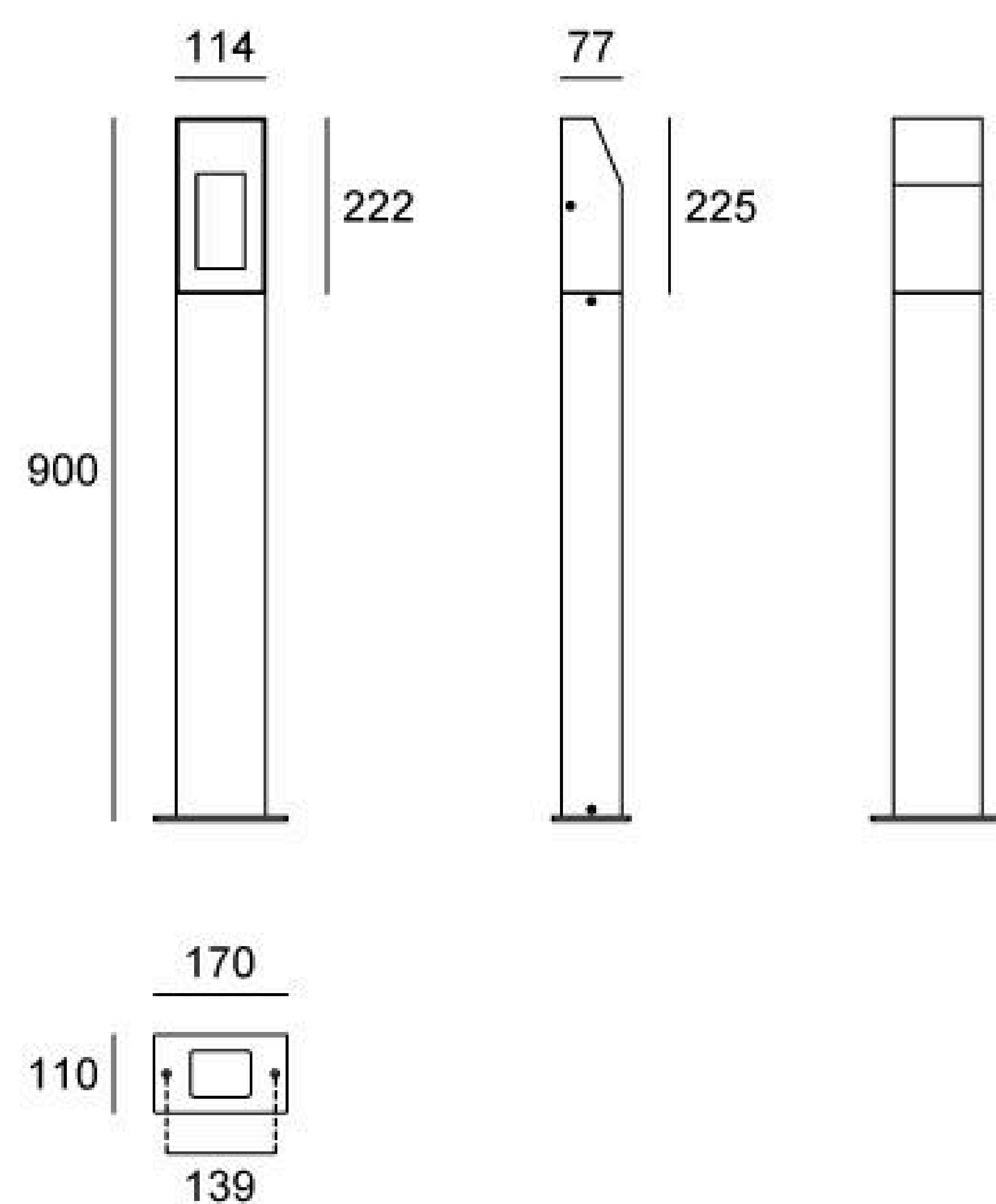


09EBB0129

Height (mm)	900
Light Source	1×12W
Selected Degree (°)θ1/2	60°
Input Voltage (V)	AC 240
Operating Current (MA)	240V=66
Consumption (W)	240V=15
Luminance (LM)	WW=550
IK	05

Linear Drawing



Unit: mm

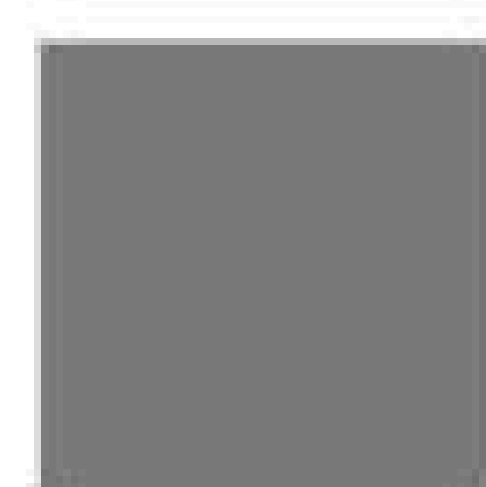
Specification

Housing	12# Die-casting aluminum finishing or powder painting. T=60-80μm. Adhesion of ISO class 1/ASTM class 4B
Light Window	Tempered Glass
Gasket	Tooling shaped seal
LED Type	COB
Operating Temperature	-20°C~40°C
LED Driver	Built in on/off driver
Power Cable	Outside of luminaire (Without waterstopper) Outside of luminaire H05RN-F 3×1.0mm ² L=0.3m



Painting Color

Primary

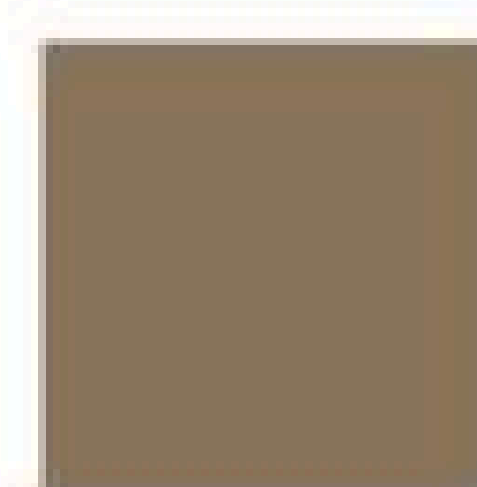


Sanded Dark Grey
KAP 7037

Secondary



Sanded Black
RAL 9005



Sanded Bronze
KAP 7008

Base Options

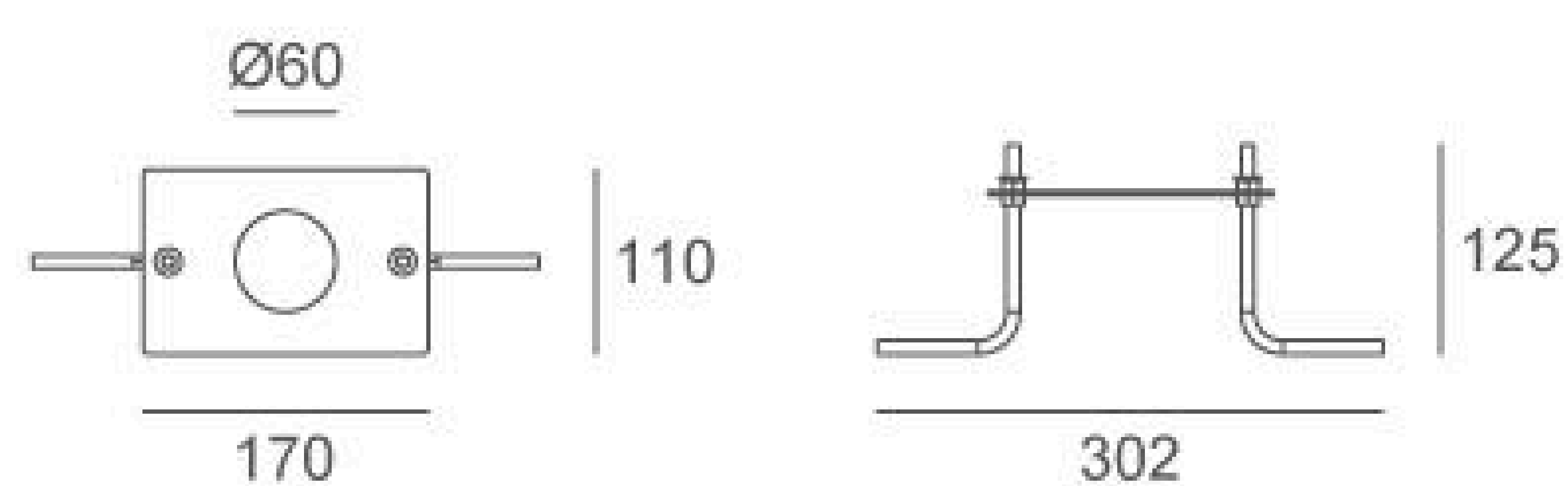
Screw Base

Flange base secures the fixture with screws, directly locking from surface.



Inground Base (Option)

JC3004



Model A (One Front)

