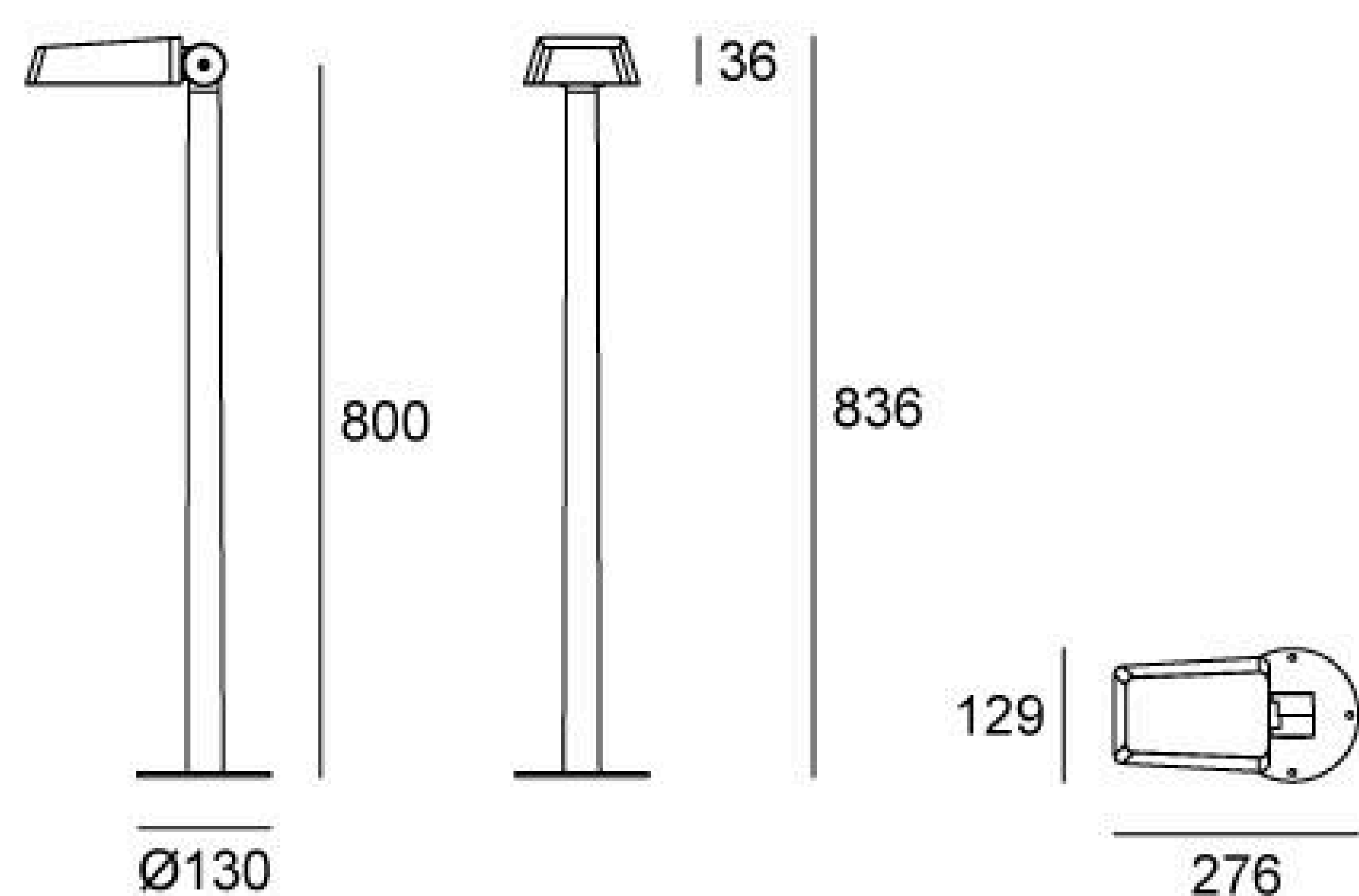


09DZMB0857

Height (mm)	836
Light Source	8x1.5W
Lens	A10
Selected Degree (°)θ1/2	50°
Input Voltage (V)	DC 24 AC 120 240
Operating Current (MA)	24V=554 120V=115 240V=35
Consumption (W)	24V=13.3 120V=14.2 240V=14
Luminance (LM)	240V=1210
IK	08

Linear Drawing



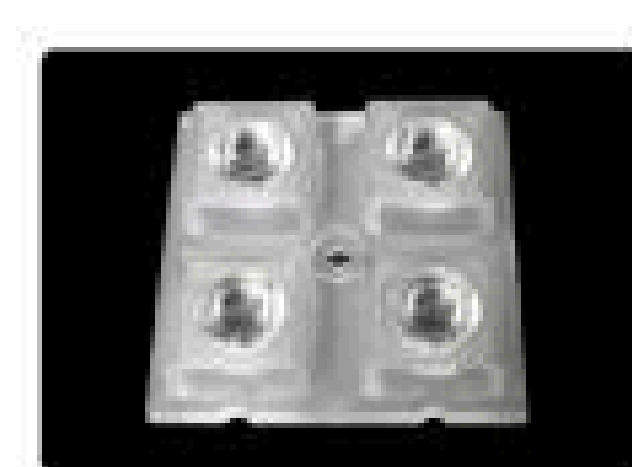
Unit: mm

Specification

Housing	12# Die-casting aluminum powder coated. T=60-80µm Adhesion of ISO class 1/ASTM class 4B
Light Window	PC
LED Type	SMD
LED Driver	Built in on/off driver
Operating Temperature	-20°C~40°C
Power Cable	Outside of luminaire (Without waterstopper) 24V: H05RN-F 2×1.0mm², L=0.5m 120V/240V: H05RN-F 3×1.0mm², L=0.5m
Base	Flange base
Dimming Support	External DALI supported TRIAC,0-10V, PWM via external driver on request

Lens (Item Code)

Referenced Degree(°)θ1/2

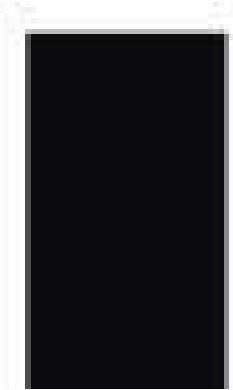


A10

10° 20° 50°

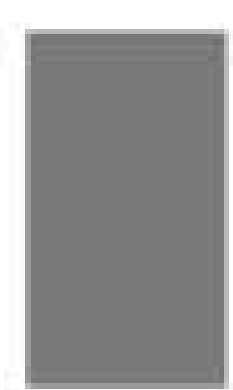
Painting Color

Primary

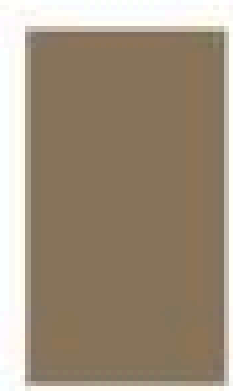


Sanded Black
RAL 9005

Secondary



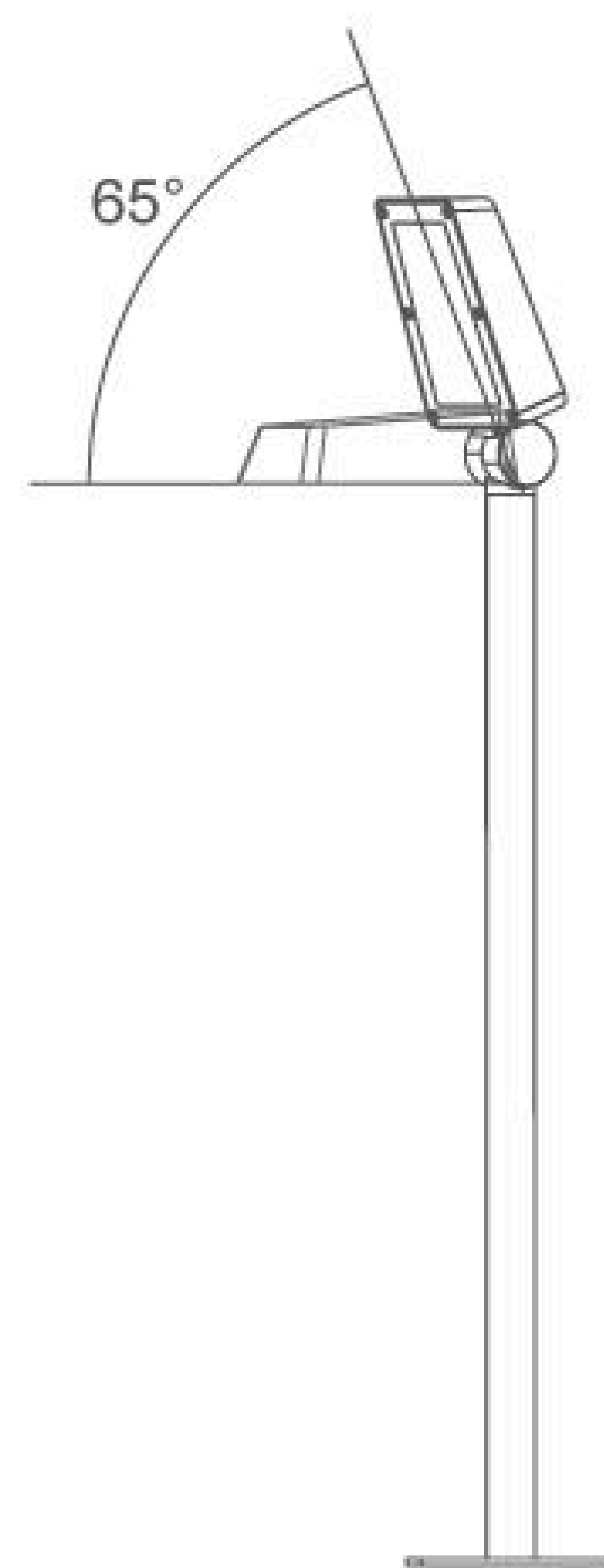
Sanded Dark Grey
KAP 7037



Sanded Bronze
KAP 7008

Tilt Adjustable

Approximately



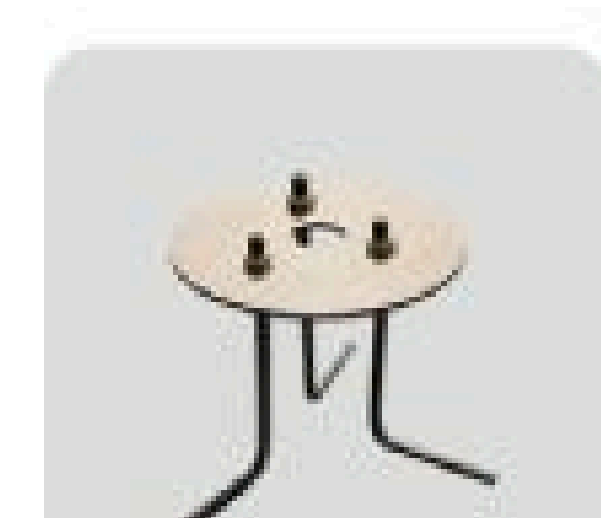
Base Options

Screw Base

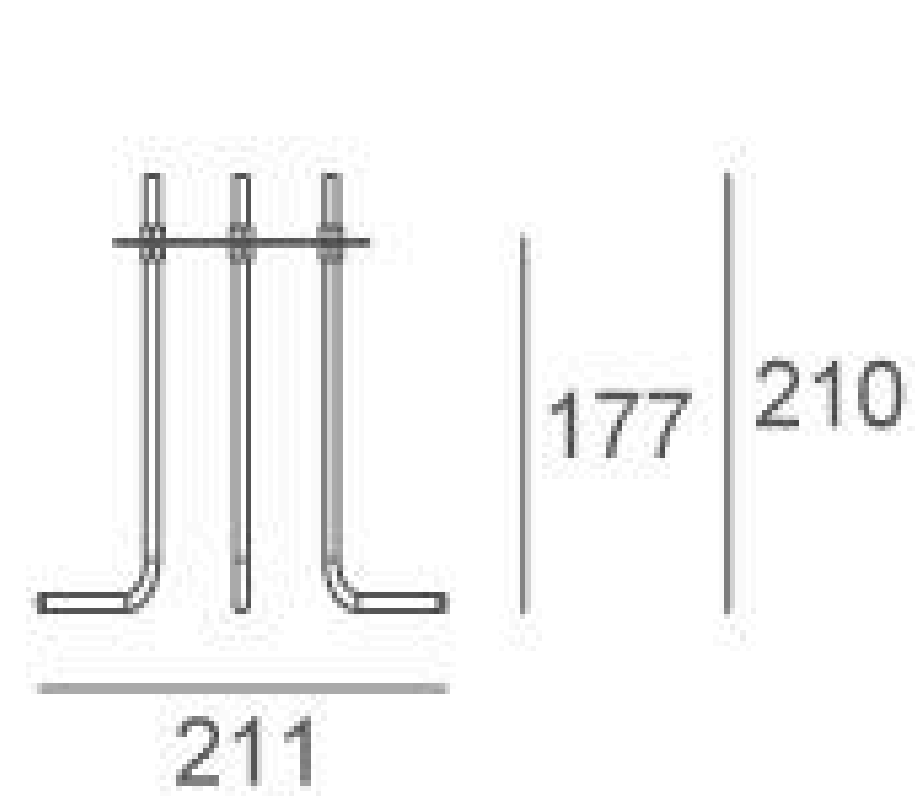


A Flange Base
Non-Detachable

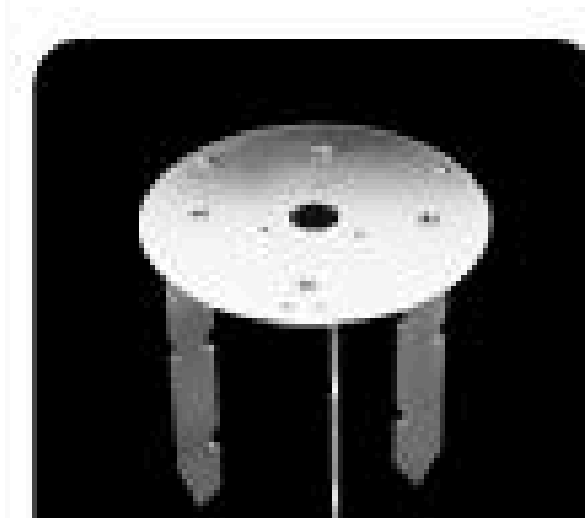
Inground Base (Optional)



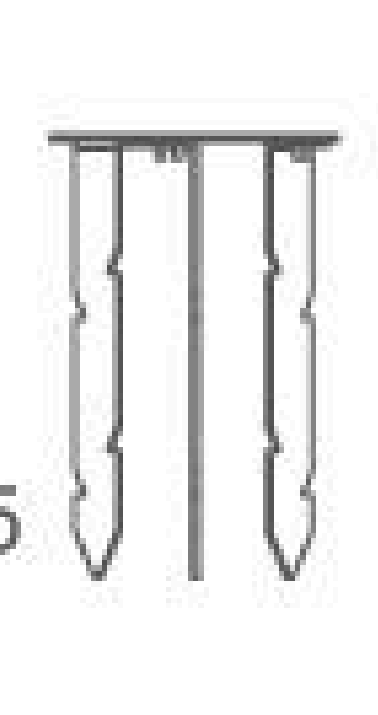
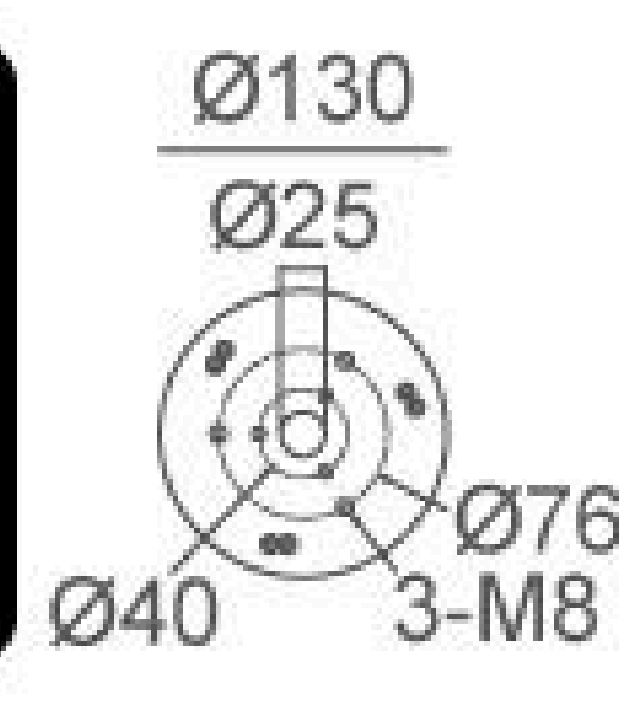
JC3002



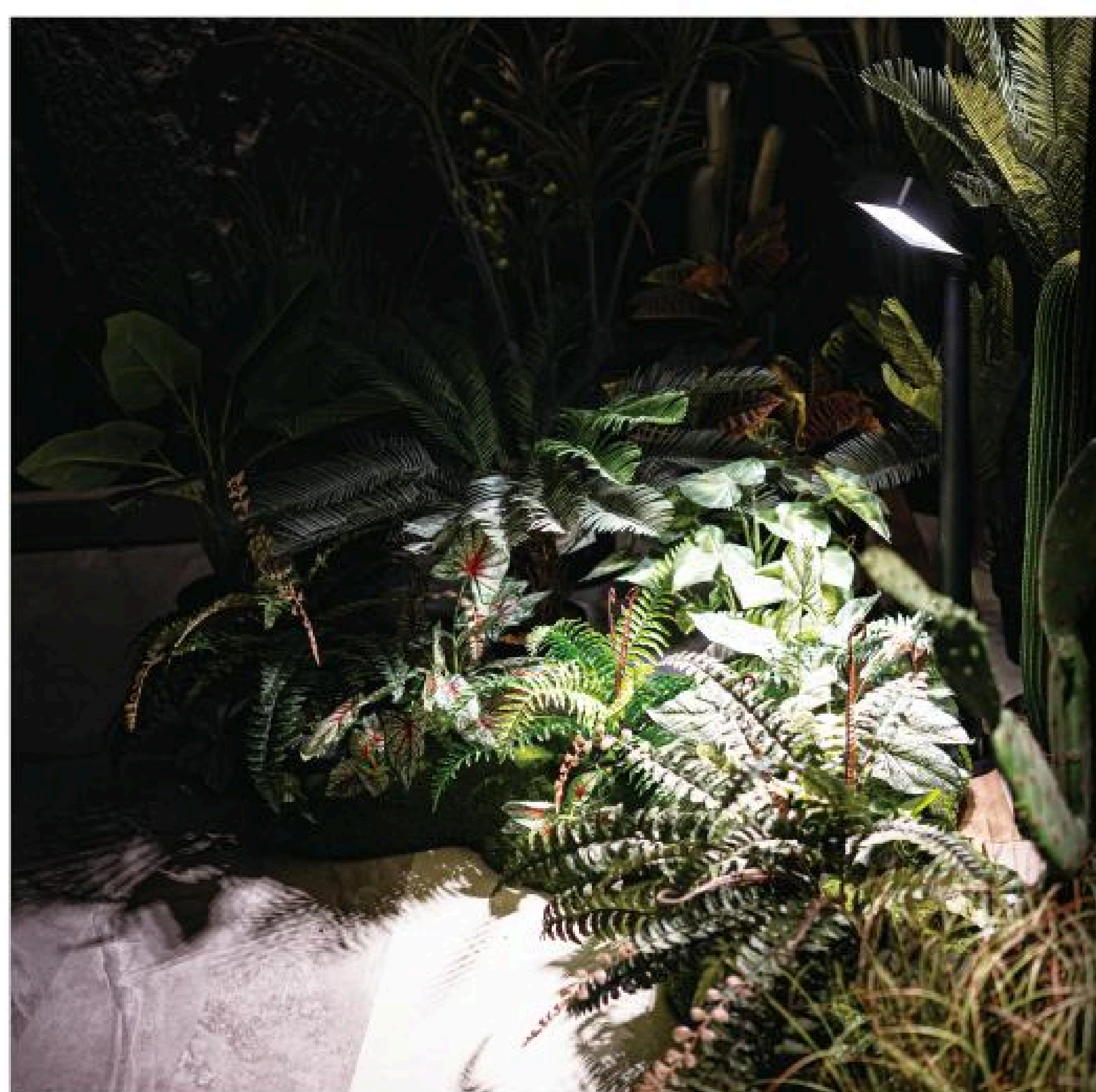
Ground Anchor Base (Optional)



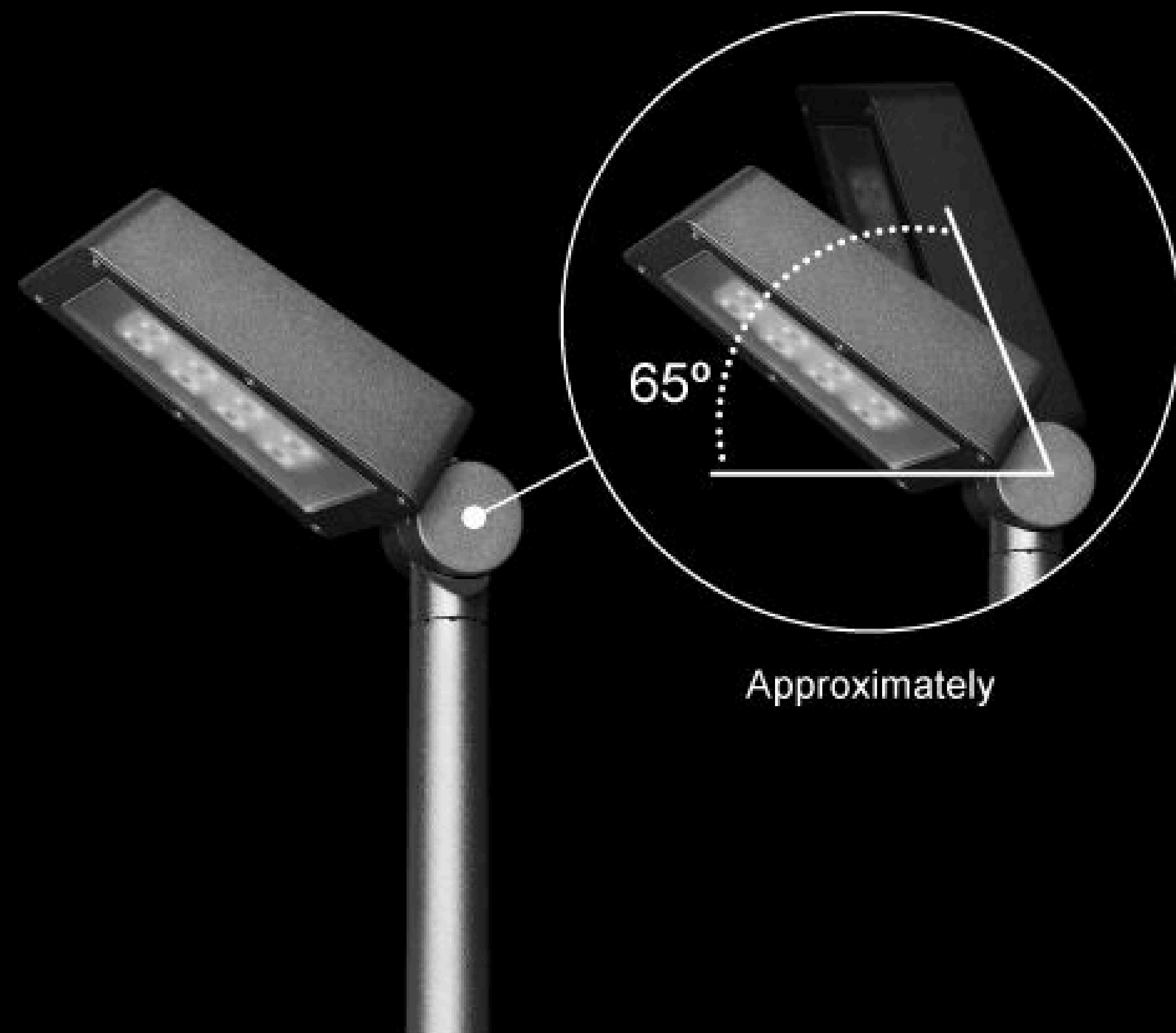
20A



Installation steps
(Optional)



Tilt Adjustable

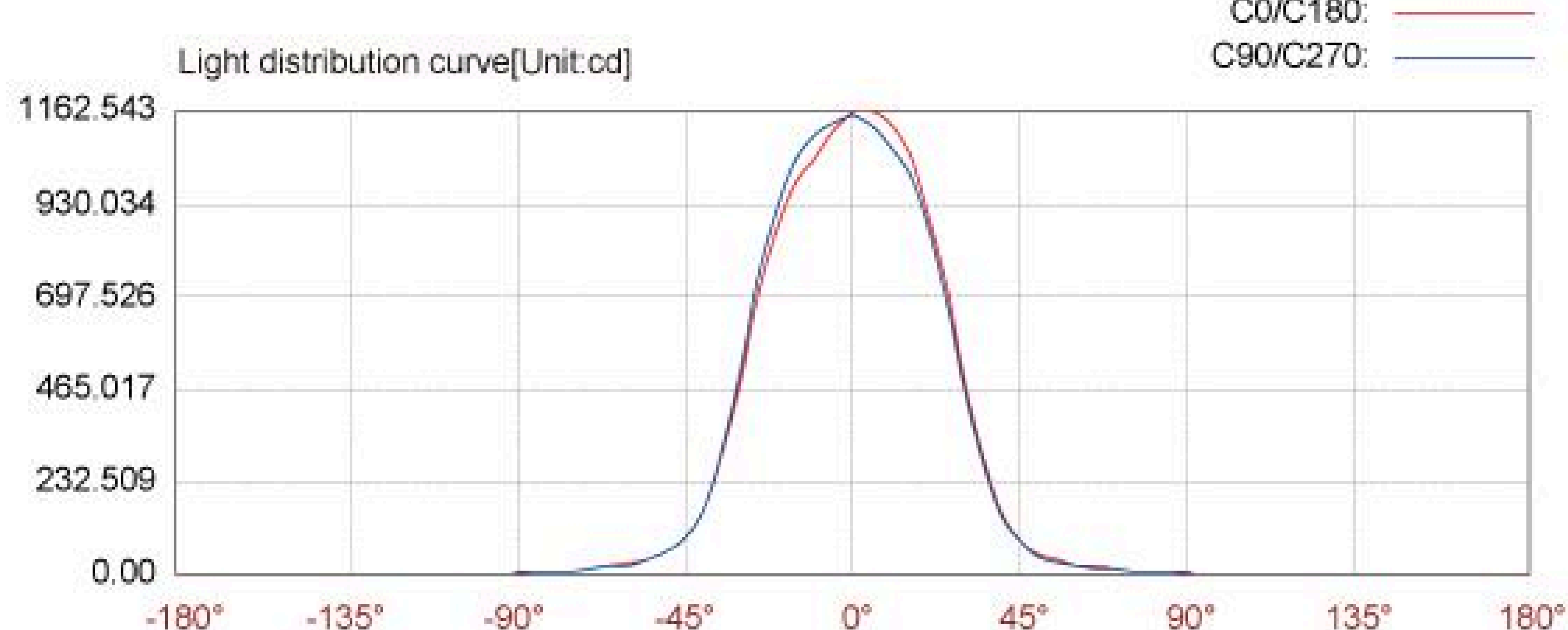
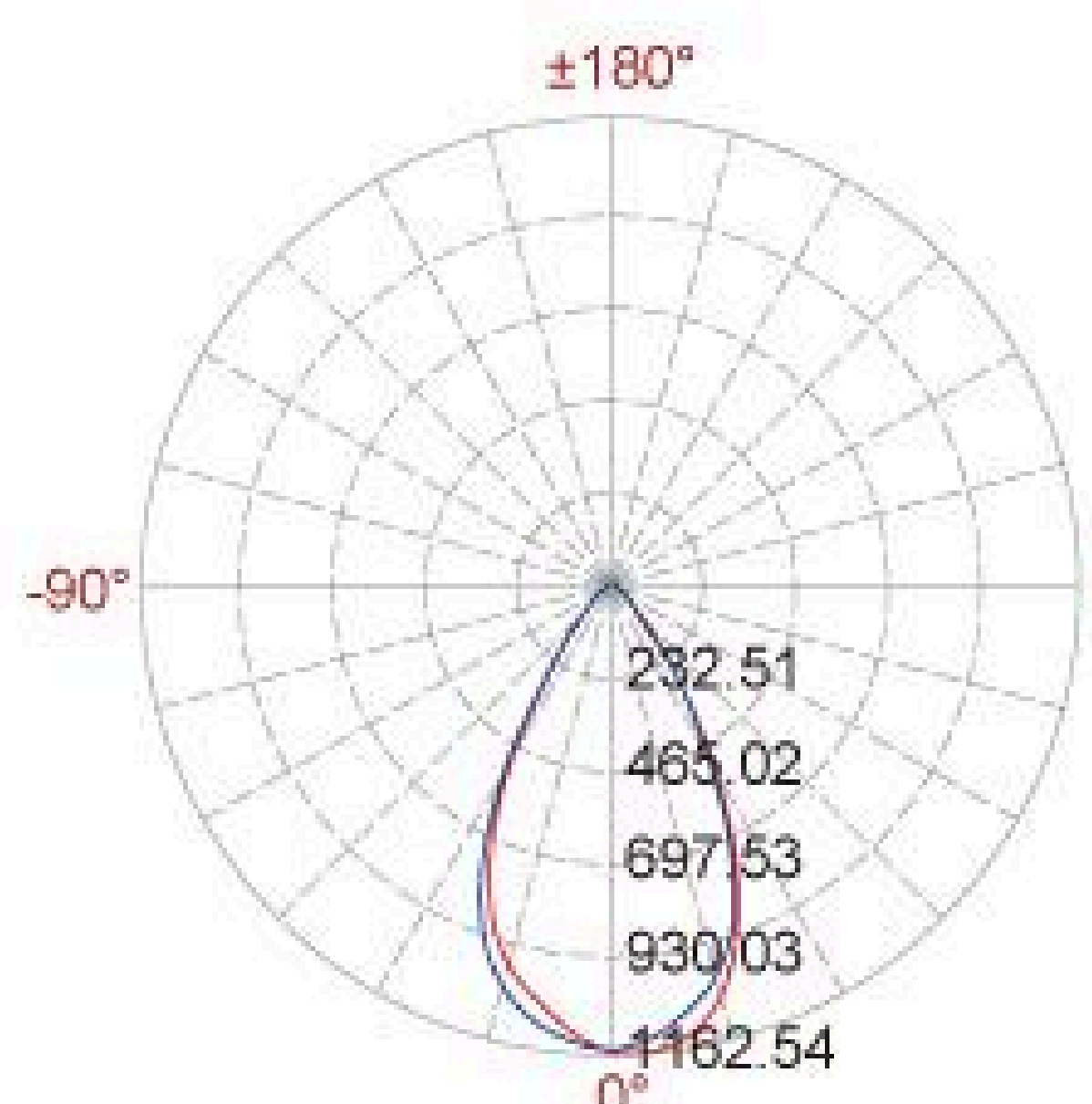


Approximately

Photometric

12m	8.06 LUX
11m	
10m	11.60 LUX
9m	
8m	18.13 LUX
7m	
6m	32.23 LUX
5m	
4m	72.51 LUX
3m	
2m	290.04 LUX
1m	

09DZMB0857 (A10-8x1.5W)



Illuminance at a distance

Distance (m)	Center beam LUX	Beam width V (m)	Beam width H (m)
2	290.04	2.1	2.1
4	72.51	4.2	4.3
6	32.23	6.4	6.4
8	18.13	8.5	8.5
10	11.60	10.6	10.7
12	8.06	12.7	12.8

Vert.Spread: 55.8 Horiz.Spread: 56.1