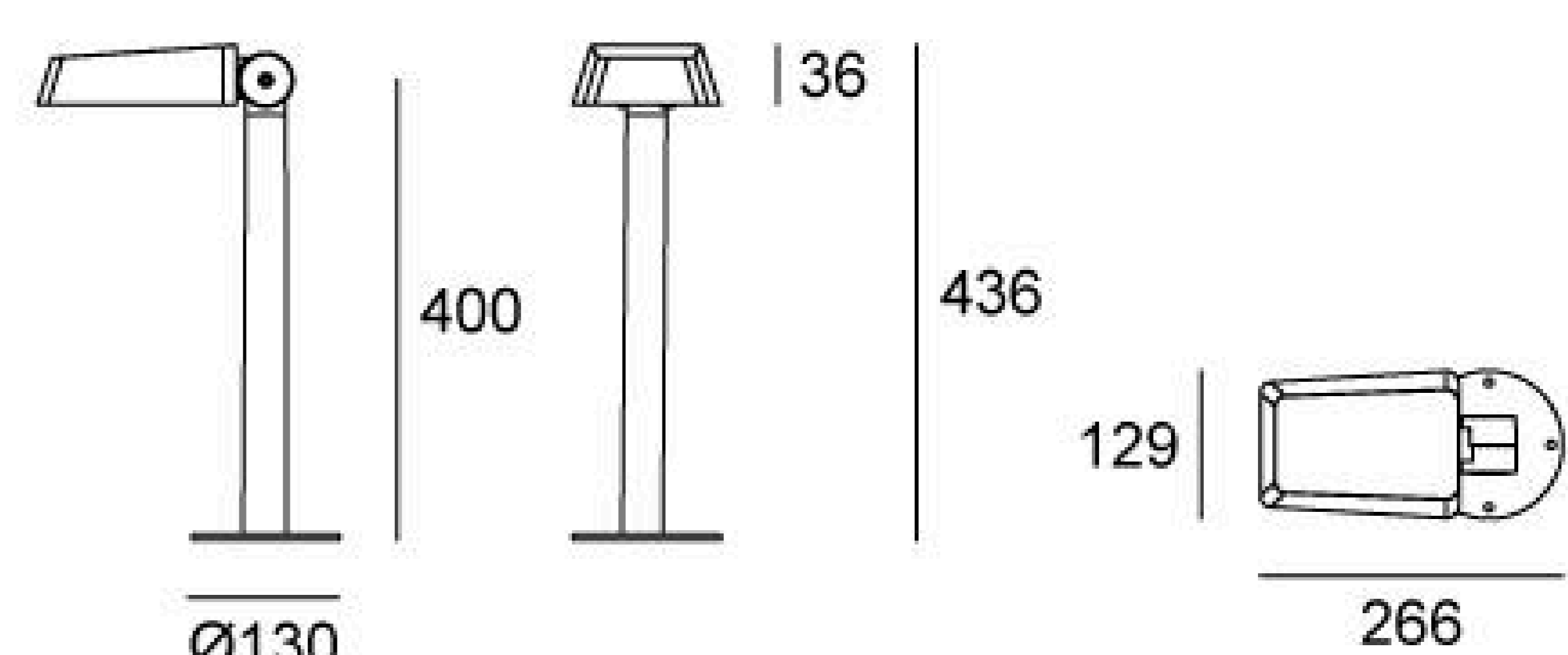


# 09DZLB0857

|                         |                            |
|-------------------------|----------------------------|
| Height (mm)             | 436                        |
| Light Source            | 8x1.5W                     |
| Lens                    | A10                        |
| Selected Degree (°)θ1/2 | 50°                        |
| Input Voltage (V)       | DC 24 AC 120 240           |
| Operating Current (MA)  | 24V=554 120V=115 240V=35   |
| Consumption (W)         | 24V=13.3 120V=14.2 240V=14 |
| Luminance (LM)          | 240V=1210                  |
| IK                      | 08                         |

## Linear Drawing



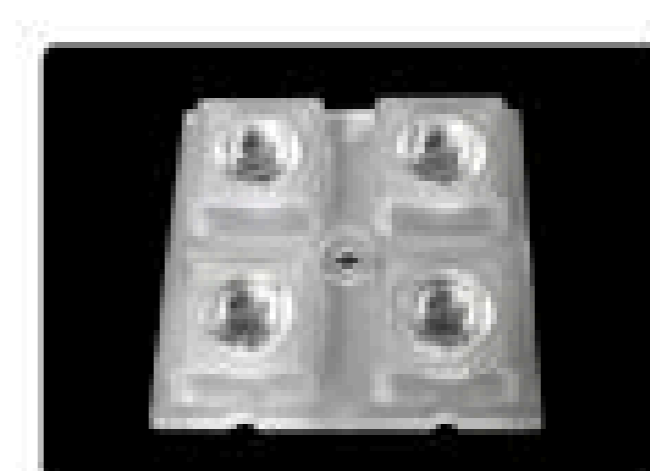
Unit: mm

## Specification

|                       |   |
|-----------------------|---|
| Housing               | 12# Die-casting aluminum powder coated.<br>T=60-80µm Adhesion of ISO class 1/ASTM class 4B                          |
| Light Window          | PC  |
| LED Type              | SMD   |
| LED Driver            | Built in on/off driver  |
| Operating Temperature | -20°C~40°C  |
| Power Cable           | Outside of luminaire (Without waterstopper)<br>24V: H05RN-F 2×1.0mm², L=0.5m<br>120V/240V: H05RN-F 3×1.0mm², L=0.5m |
| Base                  | Flange base   |
| Dimming Support       | External DALI supported TRIAC,0-10V,<br>PWM via external driver on request  |

## Lens (Item Code)

Referenced Degree(°)θ1/2

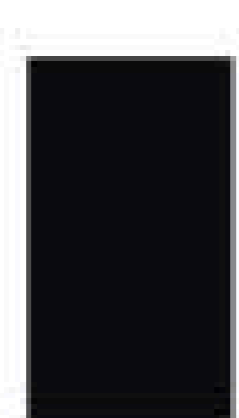


A10

10° 20° 50°

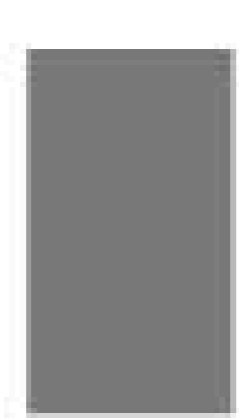
## Painting Color

### Primary

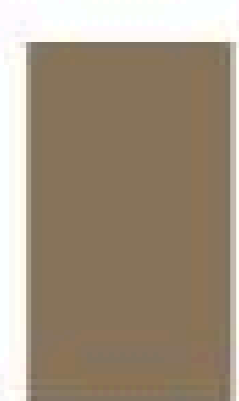


Sanded Black  
RAL 9005

### Secondary



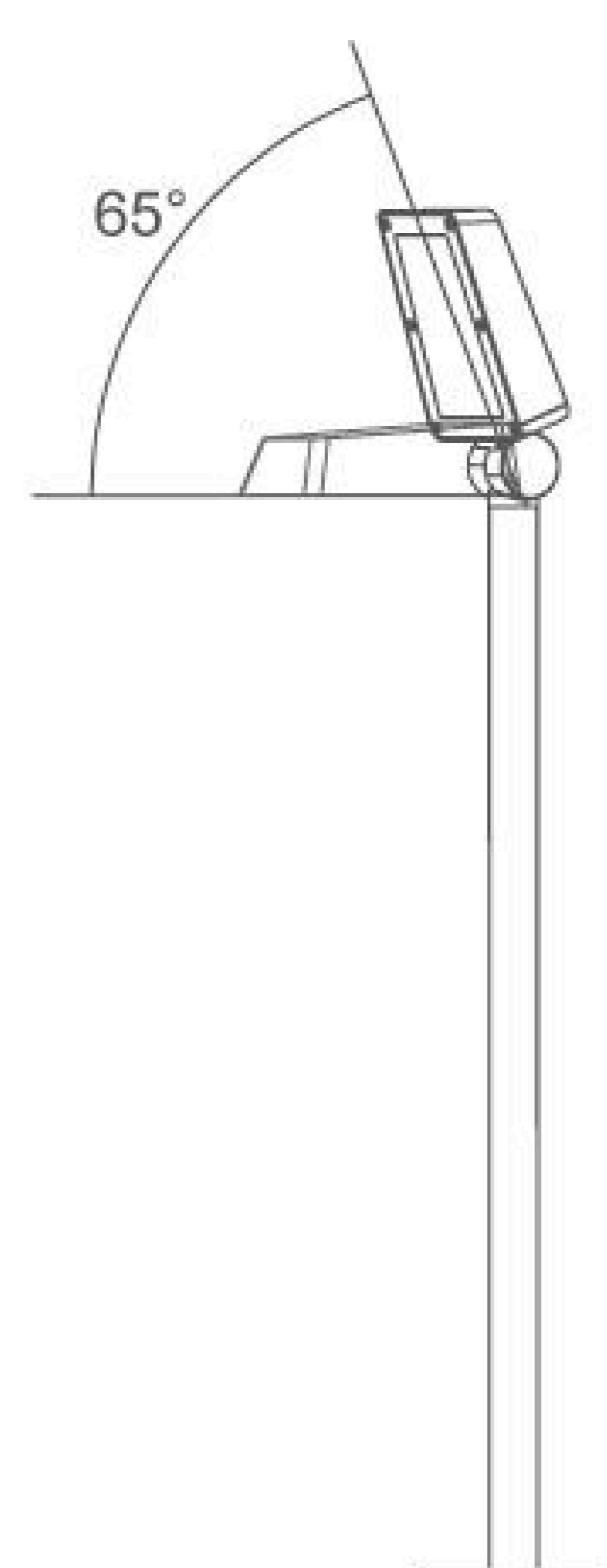
Sanded Dark Grey  
KAP 7037



Sanded Bronze  
KAP 7008

## Tilt Adjustable

Approximately



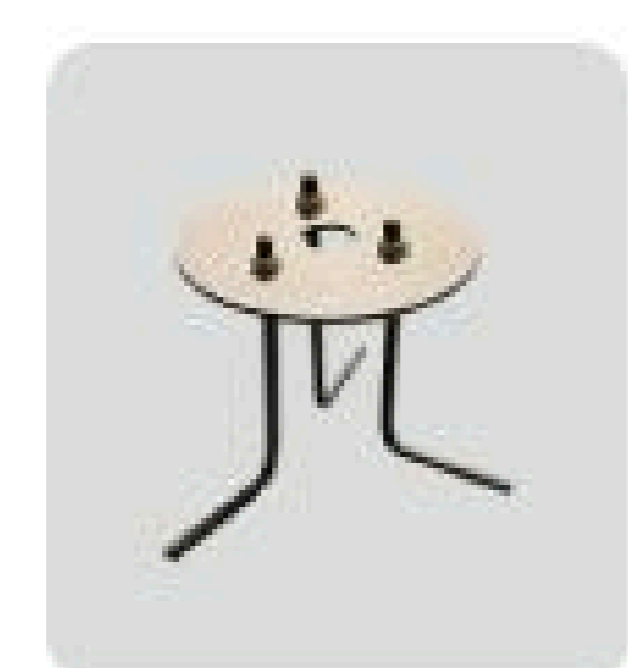
## Base Options

### Screw Base

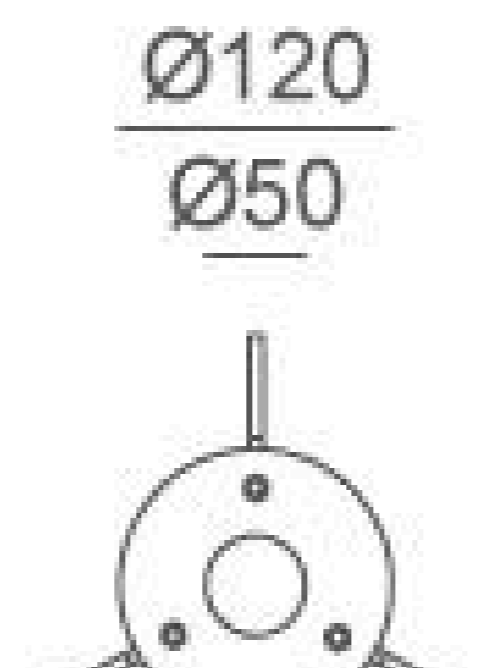


A Flange Base  
Non-Detachable

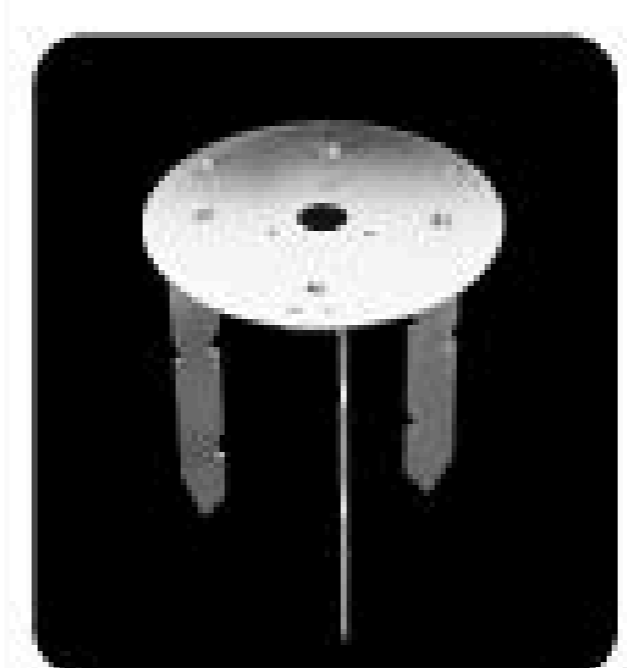
### Inground Base (Optional)



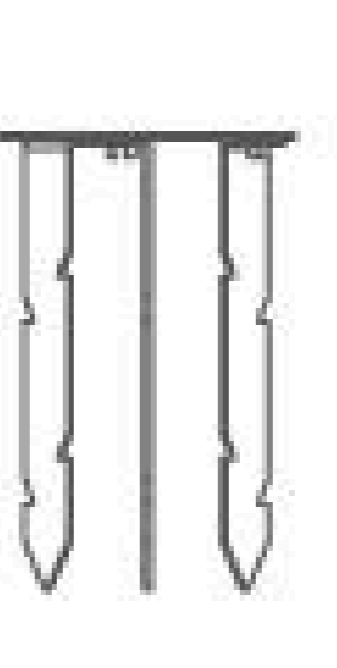
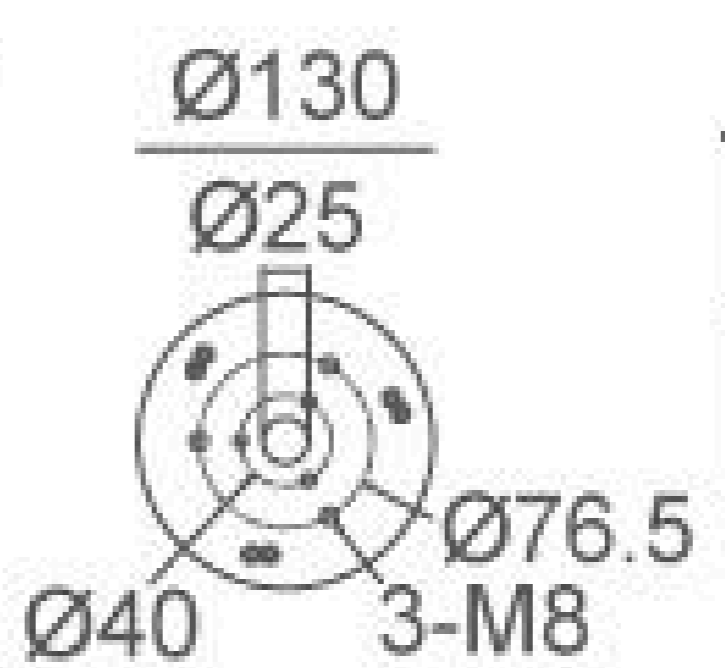
JC3002



### Ground Anchor Base (Optional)



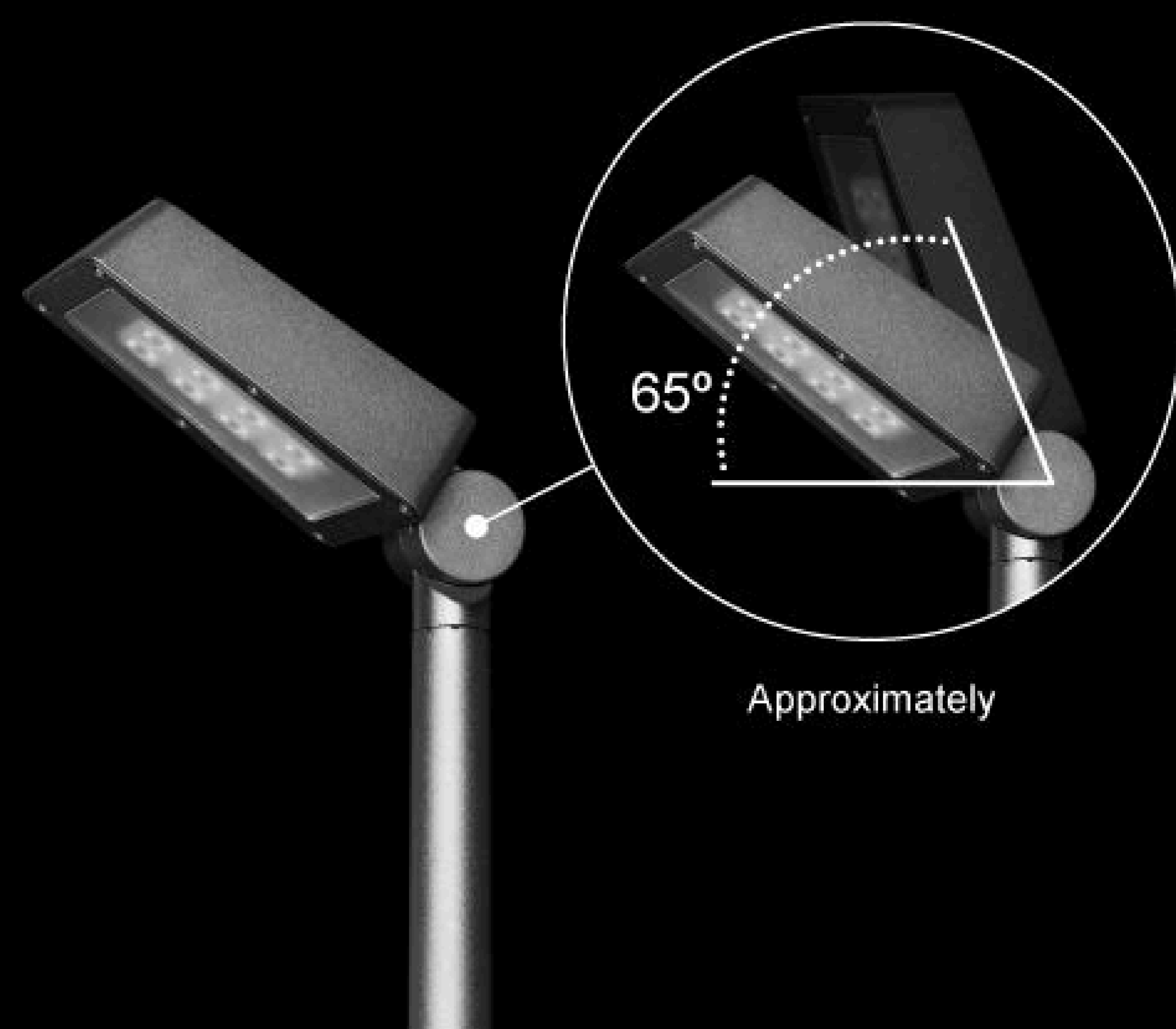
20A



Installation steps  
(Optional)



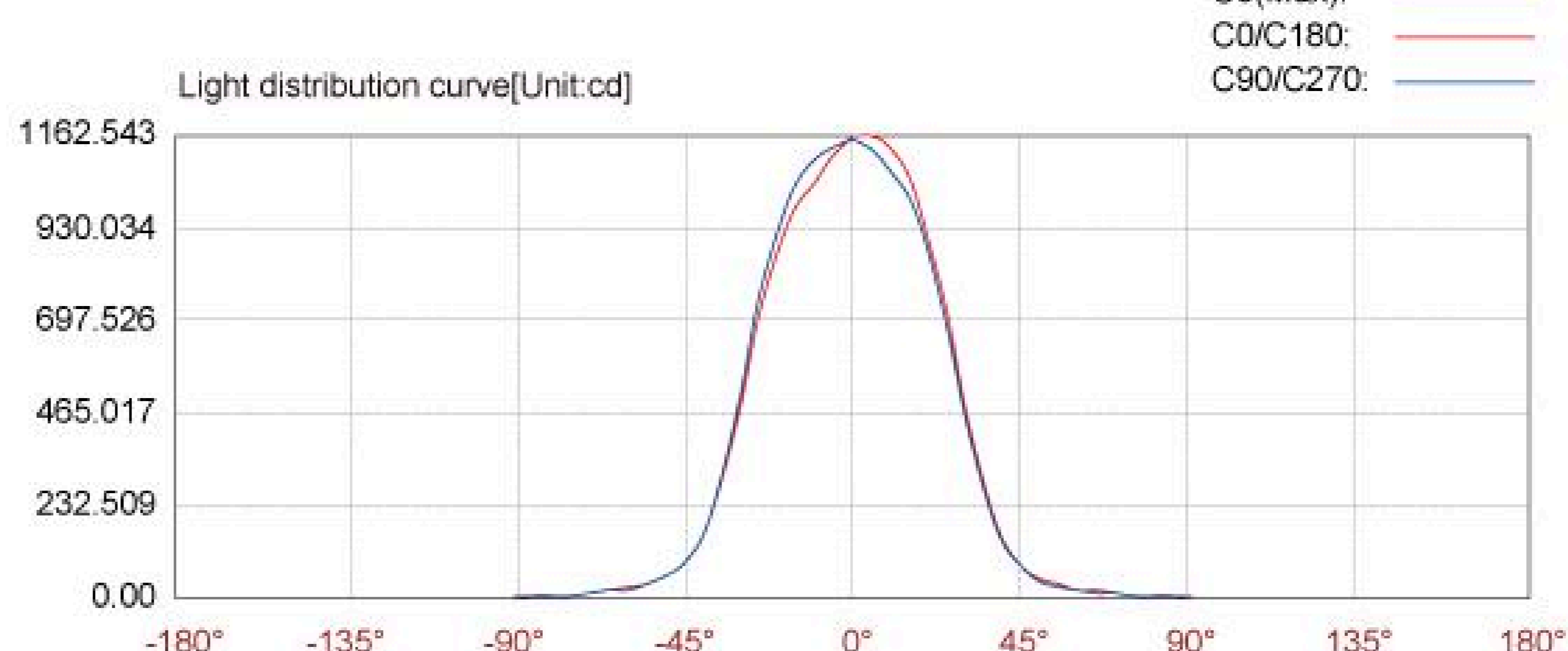
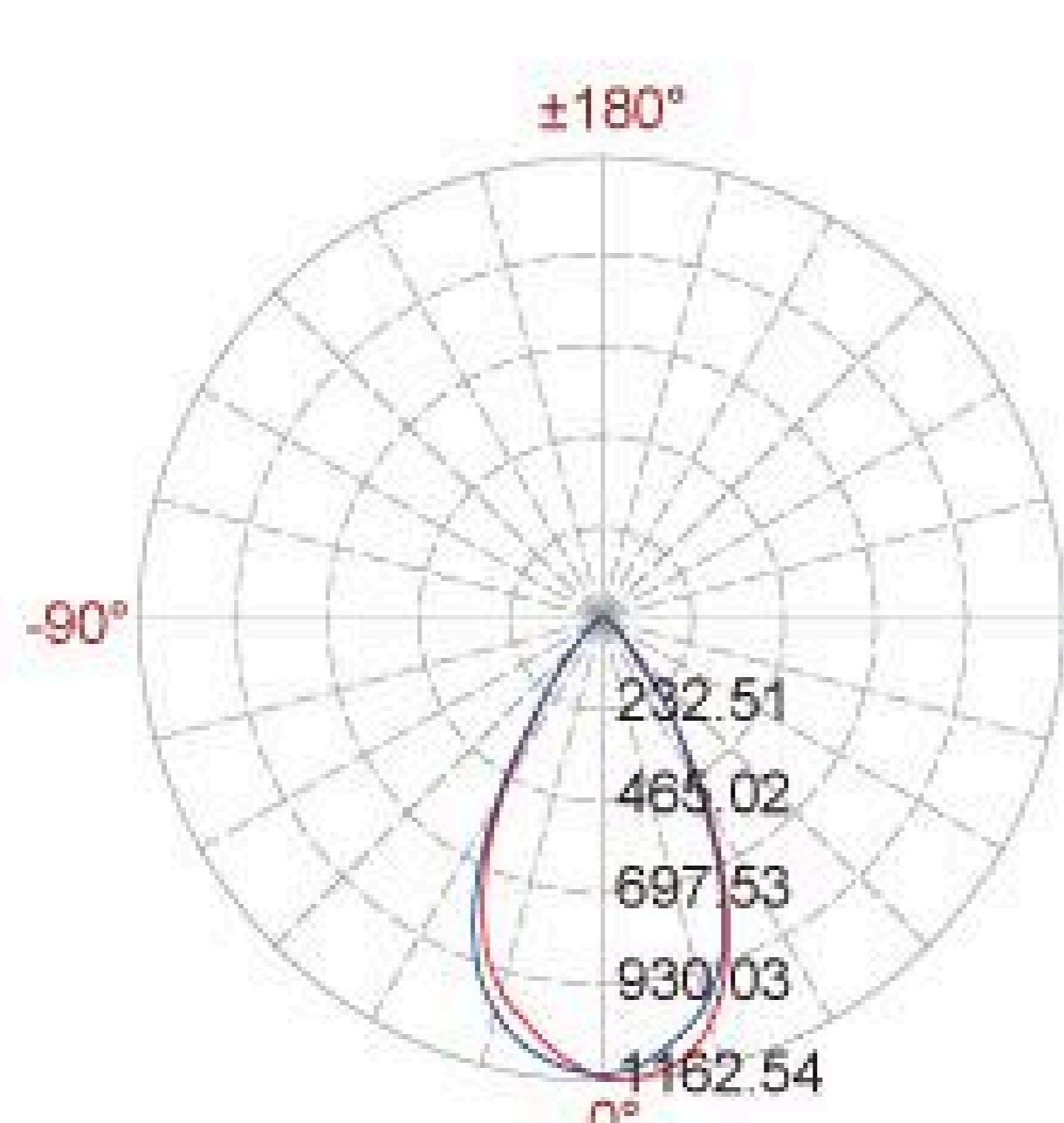
## Tilt Adjustable



Approximately

## Photometric

|     |            |
|-----|------------|
| 12m | 8.06 LUX   |
| 11m |            |
| 10m | 11.60 LUX  |
| 9m  |            |
| 8m  | 18.13 LUX  |
| 7m  |            |
| 6m  | 32.23 LUX  |
| 5m  |            |
| 4m  | 72.51 LUX  |
| 3m  |            |
| 2m  | 290.04 LUX |
| 1m  |            |



| Illuminance at a distance |              |              |       |
|---------------------------|--------------|--------------|-------|
| Center beam LUX           | Beam width V | Beam width H |       |
| 2m                        | 290.04 LUX   | 2.1m         | 2.1m  |
| 4m                        | 72.51 LUX    | 4.2m         | 4.3m  |
| 6m                        | 32.23 LUX    | 6.4m         | 6.4m  |
| 8m                        | 18.13 LUX    | 8.5m         | 8.5m  |
| 10m                       | 11.60 LUX    | 10.6m        | 10.7m |
| 12m                       | 8.06 LUX     | 12.7m        | 12.8m |

Vert.Spread: 55.8 Horiz.Spread: 56.1