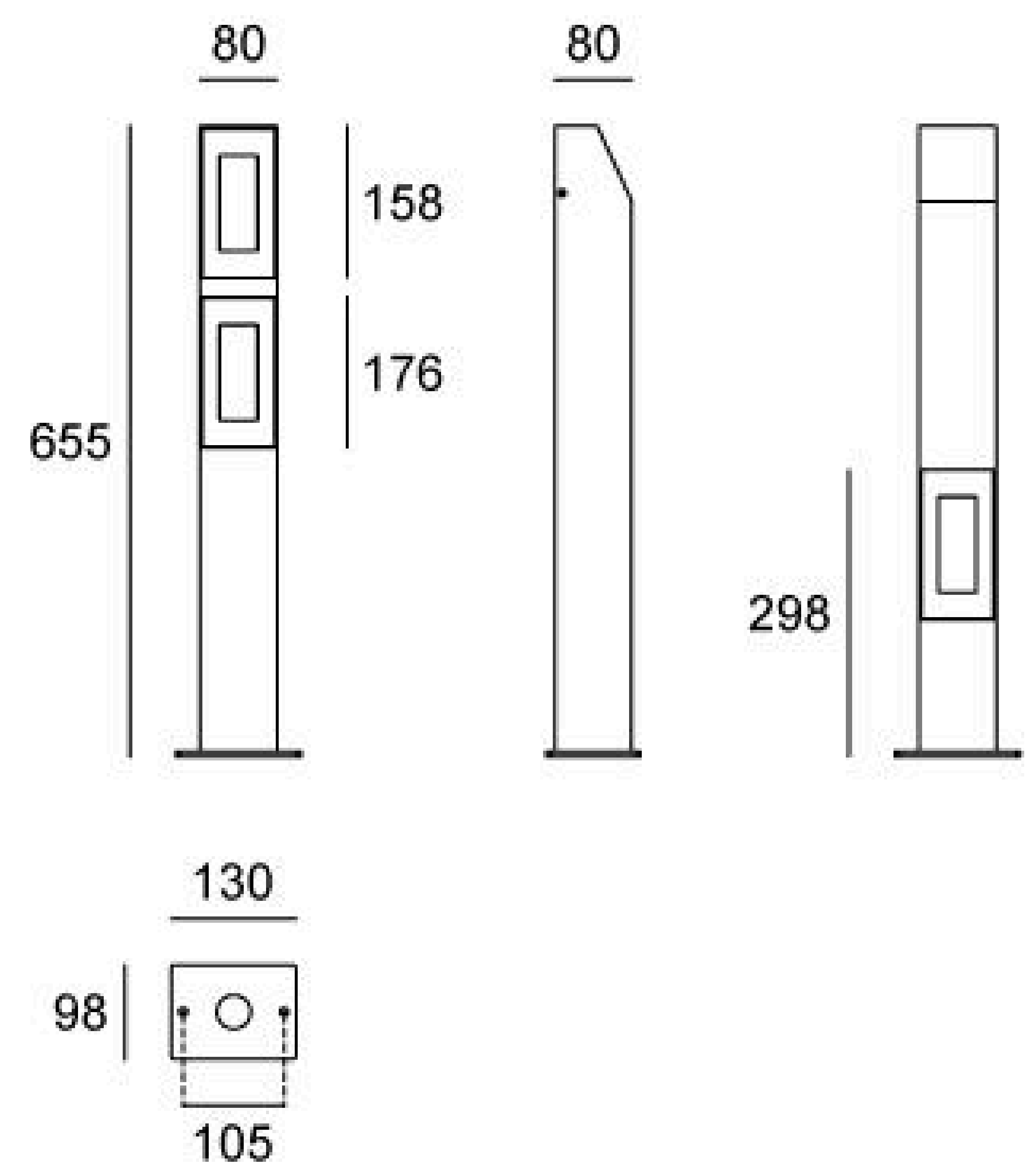


09DRD0327

Height (mm)	655
Light Source	3×7W
Selected Degree (°)θ1/2	45°
Input Voltage (V)	AC 240
Operating Current (MA)	240V=120
Consumption (W)	240V=26.1
Luminance (LM)	WW=3x398
IK	05

Linear Drawing



Unit: mm

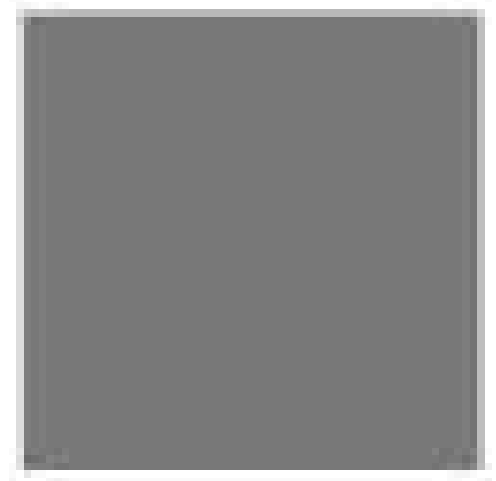
Specification

Housing	12# Die-casting aluminum finishing or powder painting. T=60-80μm. Adhesion of ISO class 1/ASTM class 4B
Light Window	Tempered Glass
Gasket	Tooling shaped seal
LED Type	COB
Operating Temperature	-20°C~40°C
LED Driver	Built in on/off driver
Power Cable	Outside of luminaire (Without waterstopper) H05RN-F 3×1.0mm ² L=0.3m



Painting Color

Primary

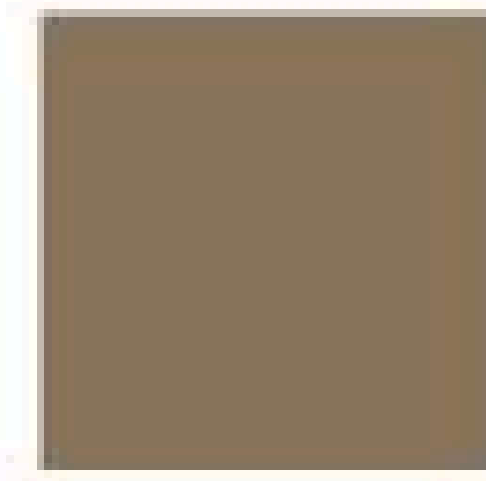


Sanded Dark Grey
KAP 7037

Secondary



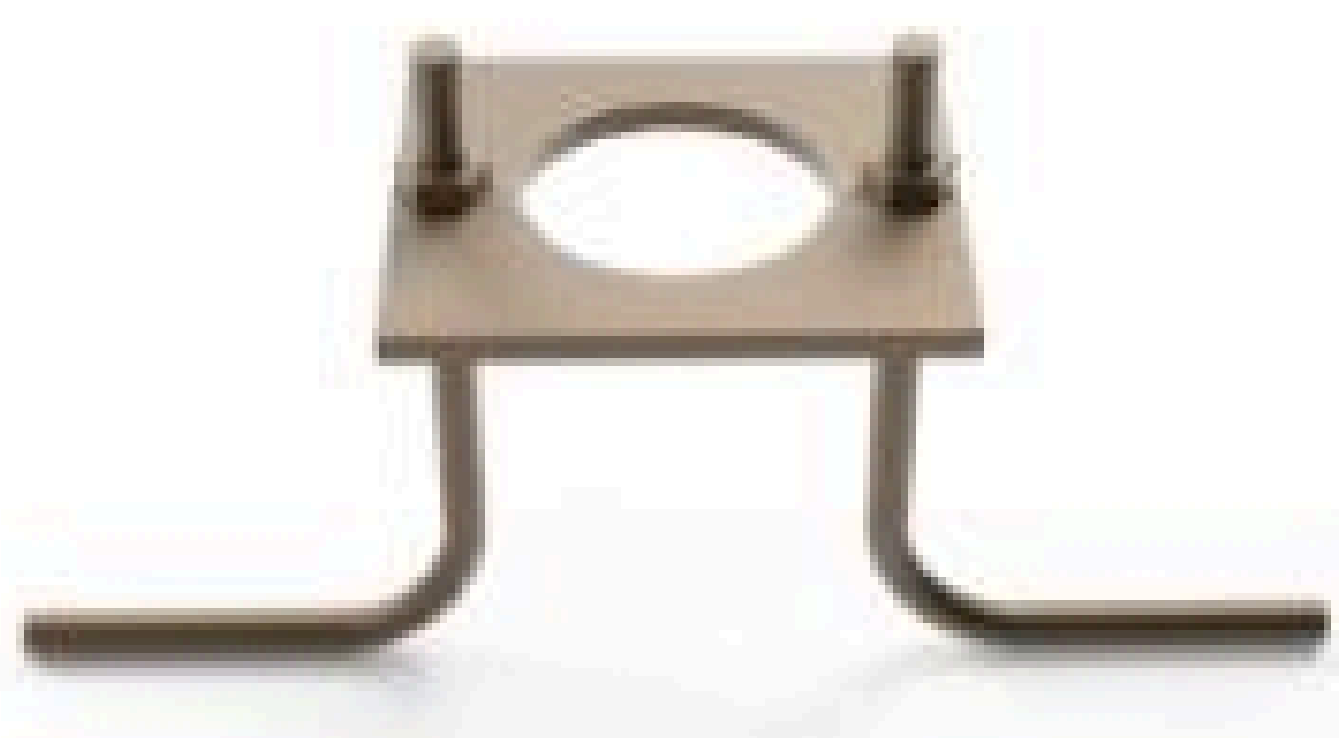
Sanded Black
RAL 9005



Sanded Bronze
KAP 7008

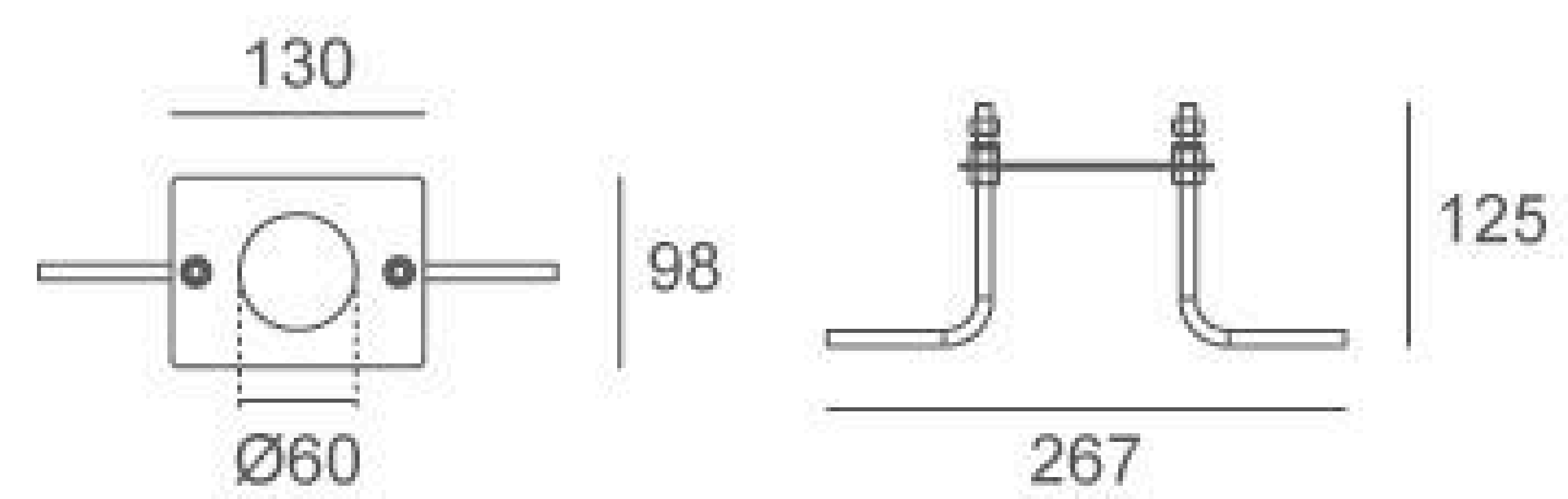
Base Options

Screw Base



Inground Base (Option)

JC3019



Model D (Two Front One Back)

