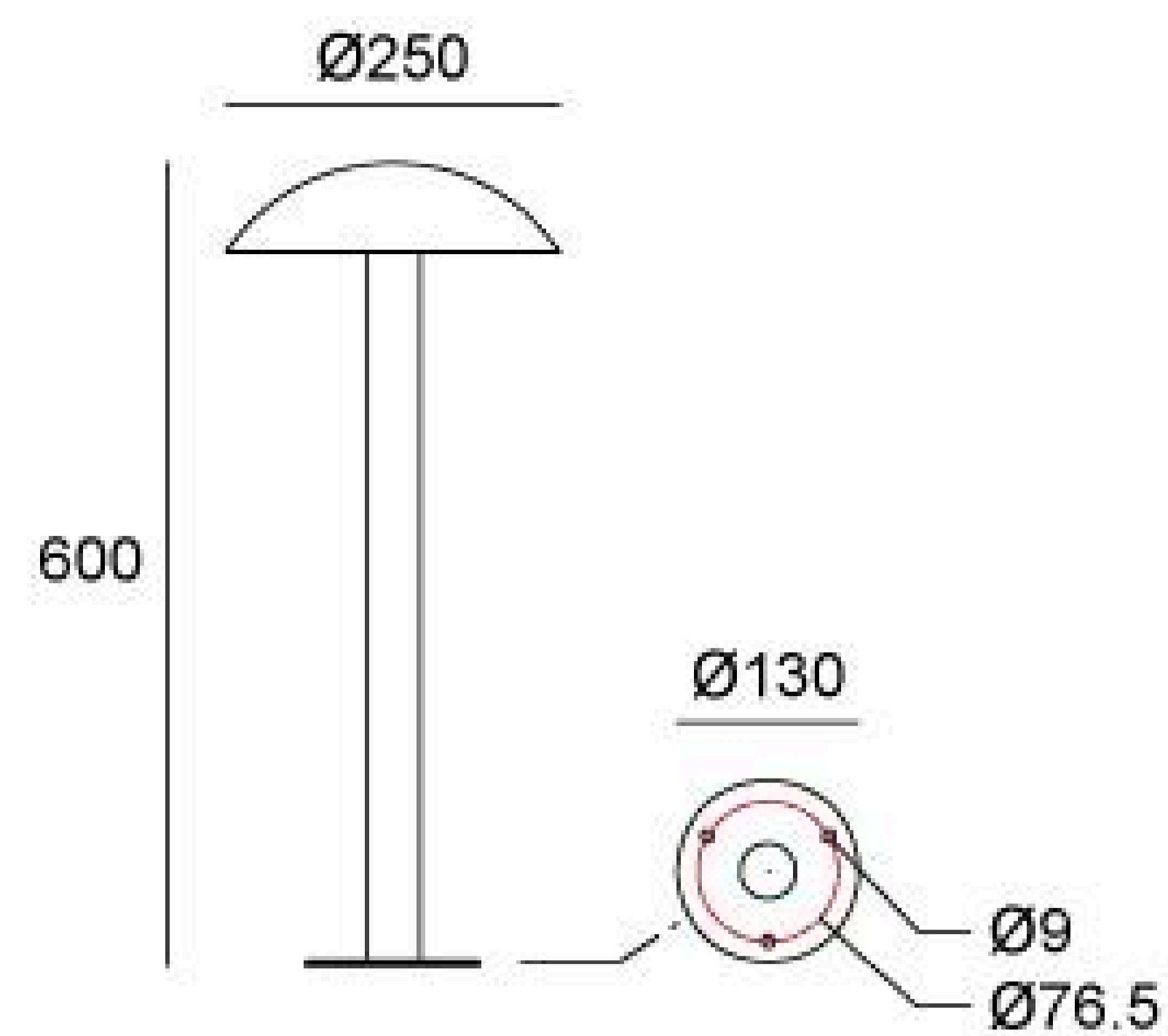


# 09CQMD12033

Height (mm)	500
Light Source	120×0.2W
Selected Degree (°)θ1/2	360°
Input Voltage (V)	DC 24
Operating Current (MA)	24V=1250
Consumption (W)	24V=30
Luminance (LM)	24V=2500
IK	09

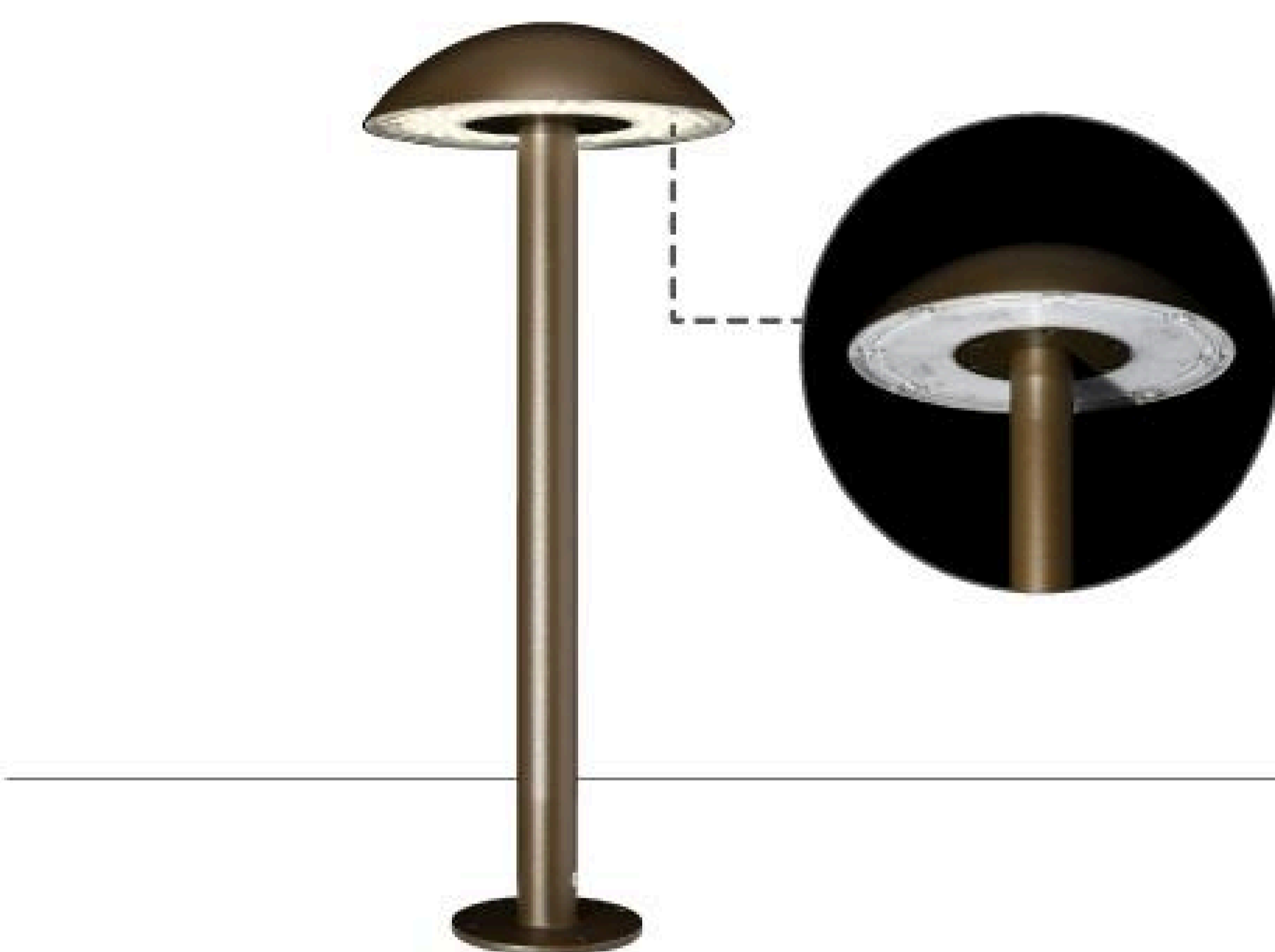
## Linear Drawing



Unit: mm

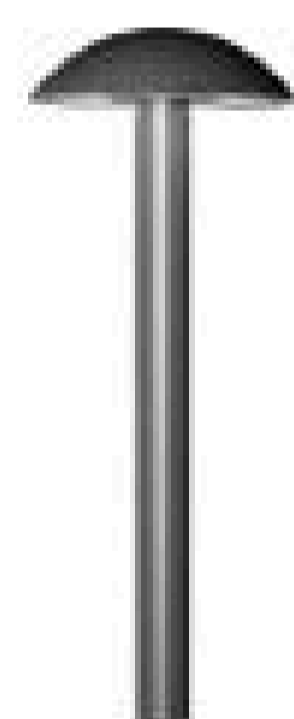
## Specification

Housing	12# Die-casting aluminum with powder painting. T=60-80µm. Adhesion of ISO class 1/ASTM class 4B
Light Window	UVstop & Fire Proof PC
LED Type	SMD
Gasket	Tooling shaped seal
LED Driver	Built in on/off driver
Power Cable	Outside of luminaire (Without waterstopper) H05RN-F 3×1.0mm² L=0.3m
Dimming Support	External DALI supported TRIAC,0-10V, PWM via external driver on request
Operating Temperature	-20°C~40°C



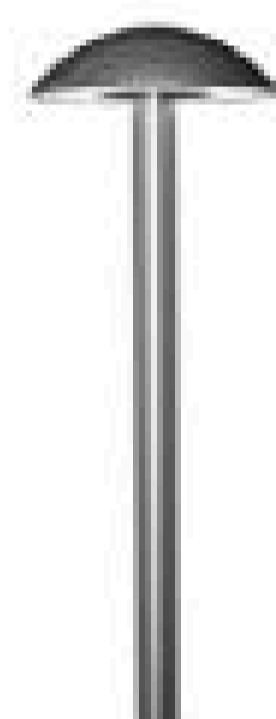
## Painting Color

### Primary

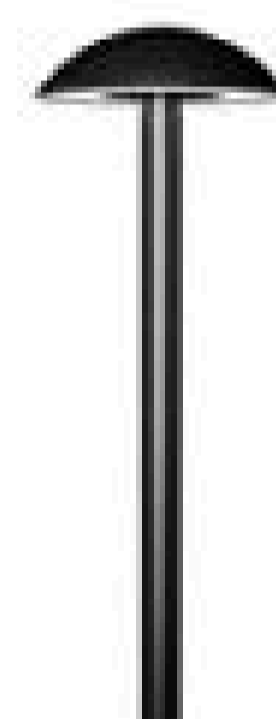


Sanded Dark Grey  
KAP 7037

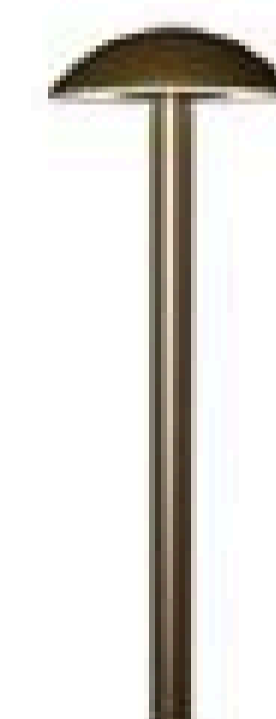
### Secondary



Sanded Silver Grey  
KAP 9022



Sanded Black  
RAL 9005



Sanded Bronze  
KAP 7008

## Base Options

### Screw Base

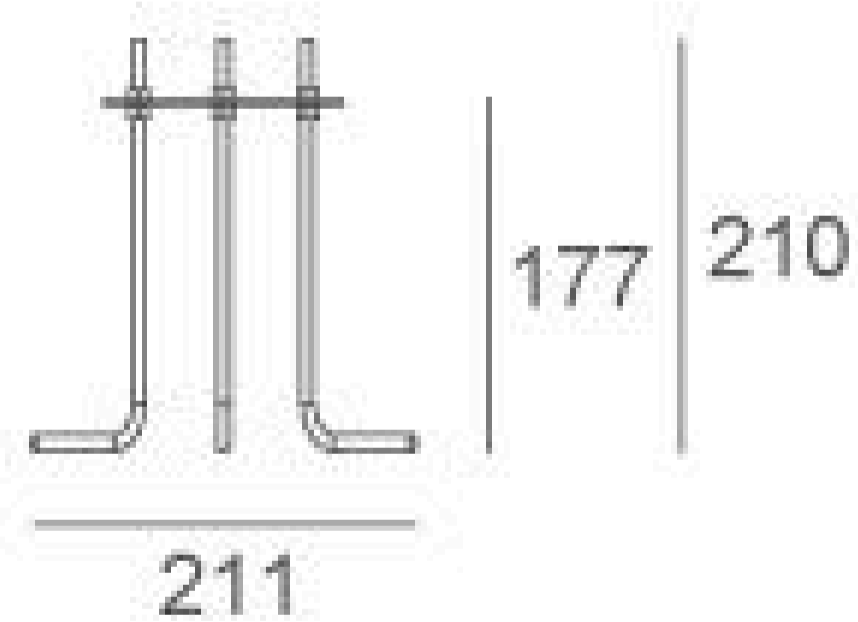
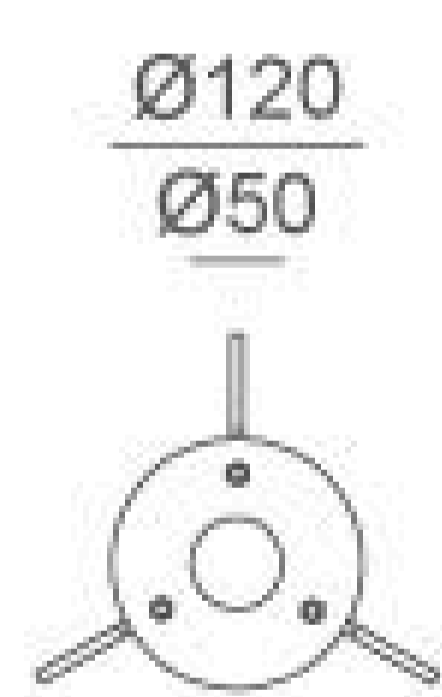


**A** Flange Base  
Non-Detachable

### Inground Base (Optional)

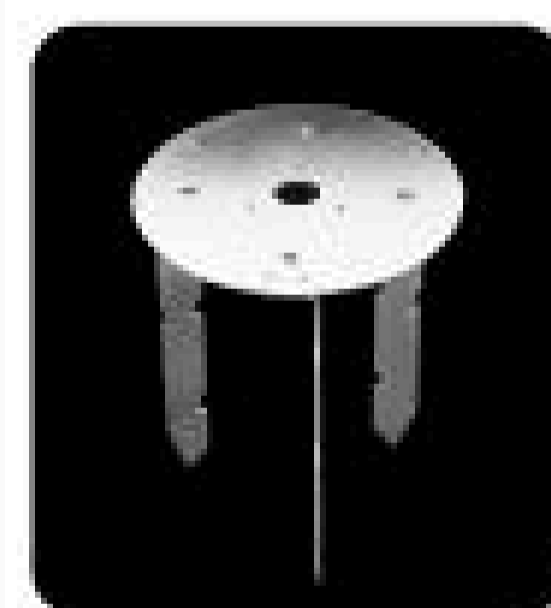


JC3002

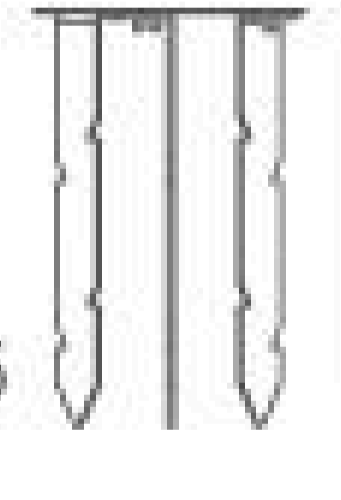
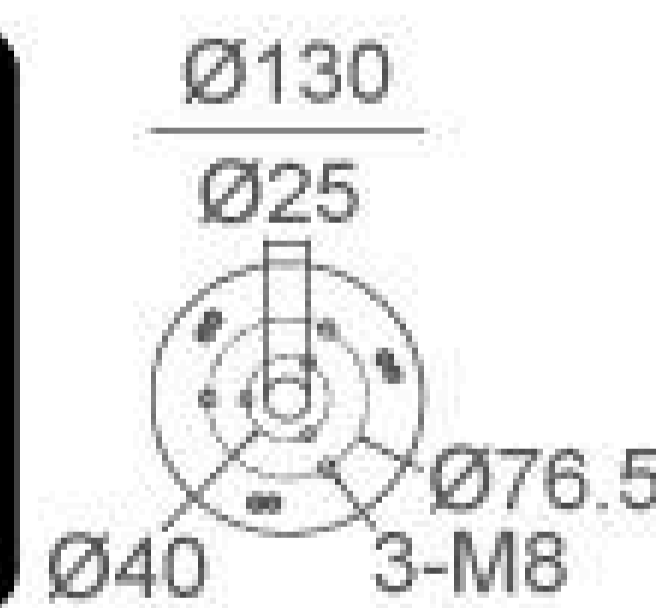


211

### Ground Anchor Base (Optional)



20A



Installation steps  
(Optional)

