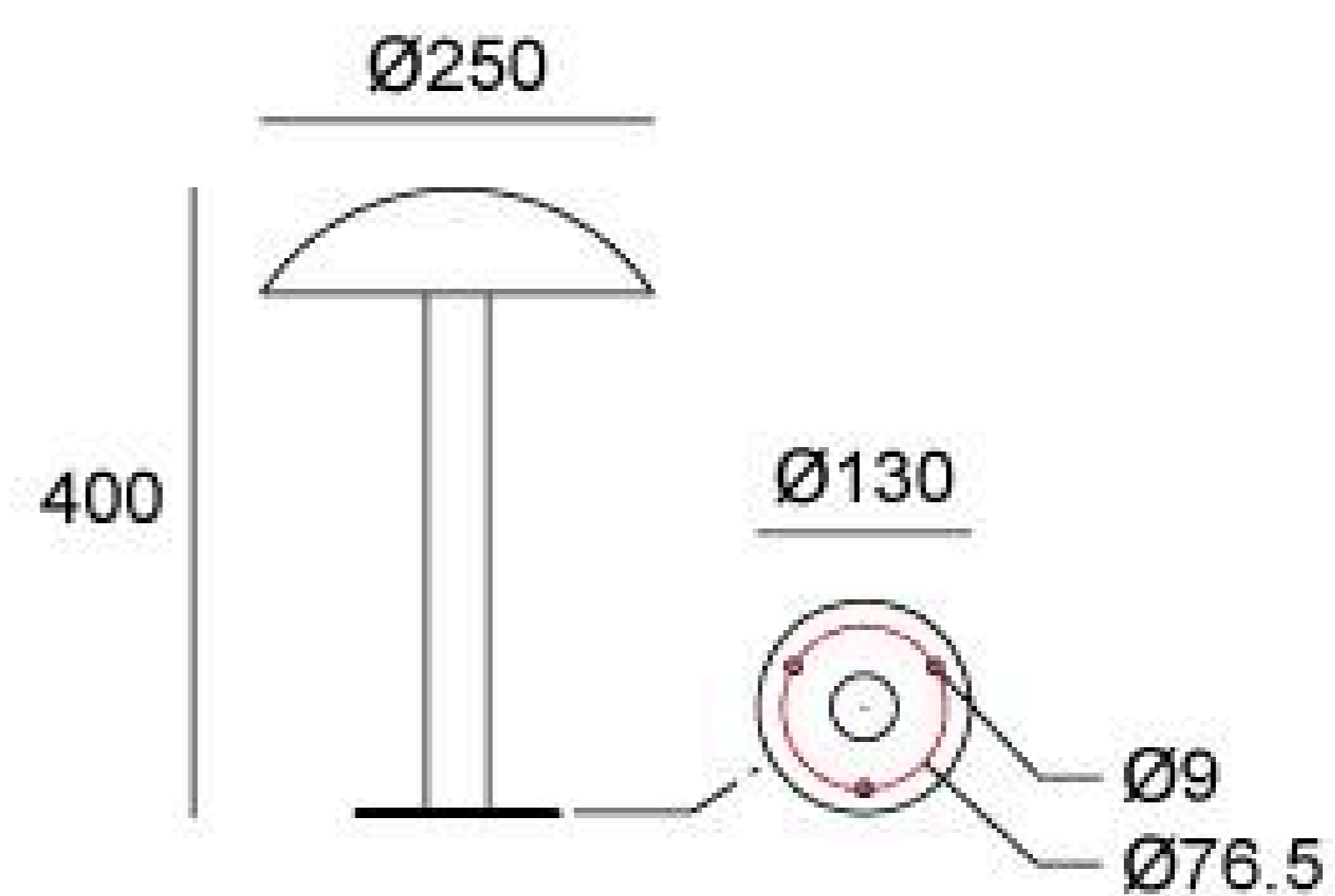


09CQLD12033

Linear Drawing

Height (mm)	400
Light Source	120×0.2W
Selected Degree (°)θ1/2	360°
Input Voltage (V)	DC 24
Operating Current (MA)	24V=1250
Consumption (W)	24V=30
Luminance (LM)	24V=2500
IK	09



Unit: mm

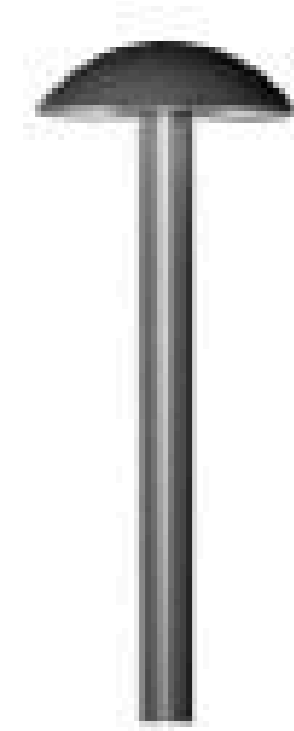
Specification

Housing	12# Die-casting aluminum with powder painting. T=60-80µm. Adhesion of ISO class 1/ASTM class 4B
Light Window	UVstop & Fire Proof PC
LED Type	SMD
Gasket	Tooling shaped seal
LED Driver	Built in on/off driver
Power Cable	Outside of luminaire (Without waterstopper) H05RN-F 3×1.0mm² L=0.3m
Dimming Support	External DALI supported TRIAC,0-10V, PWM via external driver on request
Operating Temperature	-20°C~40°C



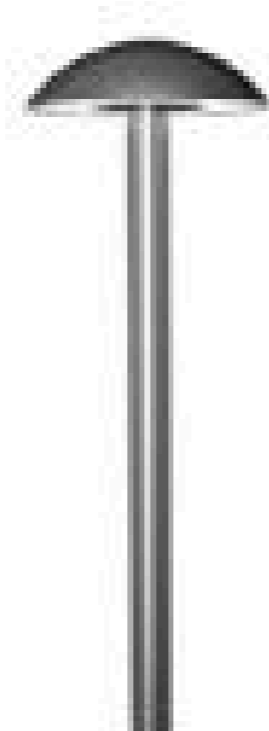
Painting Color

Primary



Sanded Dark Grey
KAP 7037

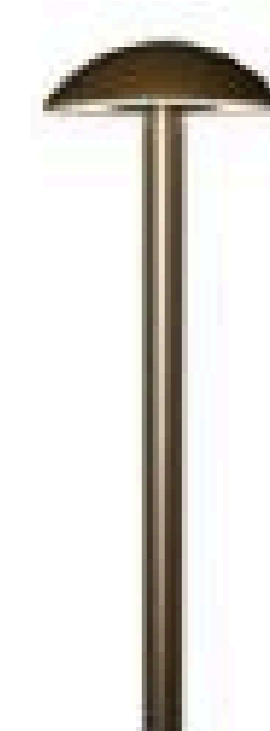
Secondary



Sanded Silver Grey
KAP 9022



Sanded Black
RAL 9005



Sanded Bronze
KAP 7008

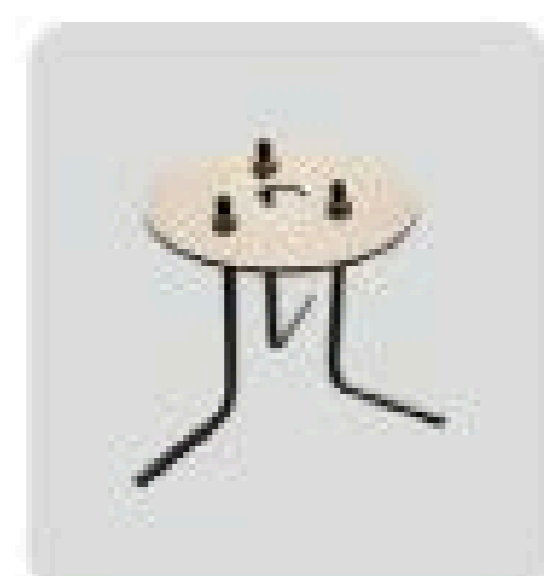
Base Options

Screw Base

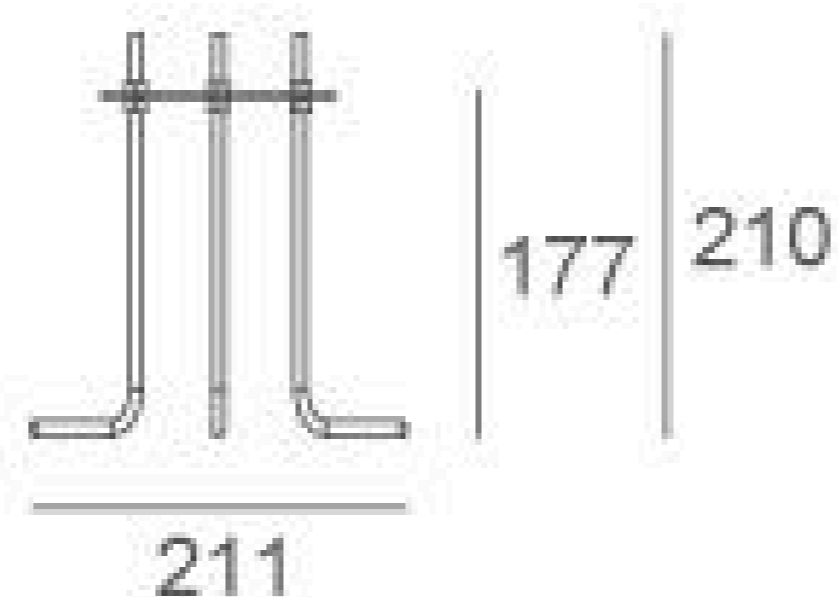


A Flange Base
Non-Detachable

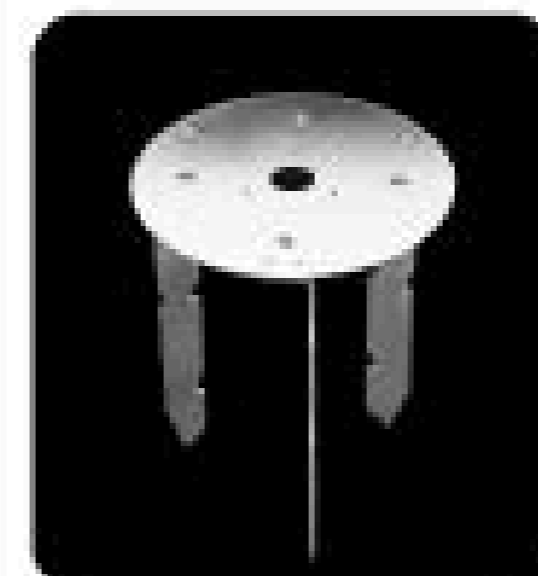
Inground Base (Optional)



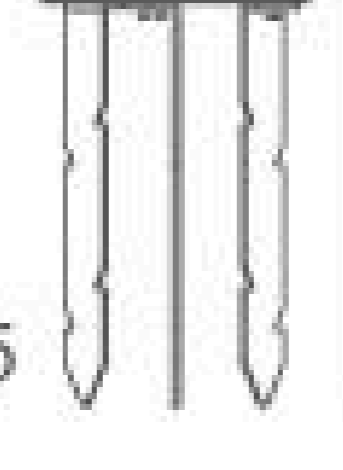
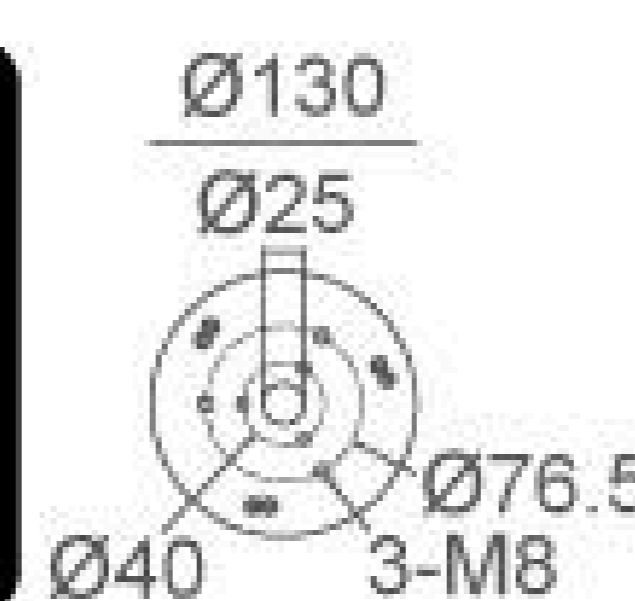
JC3002



Ground Anchor Base (Optional)



20A



Installation steps
(Optional)

