

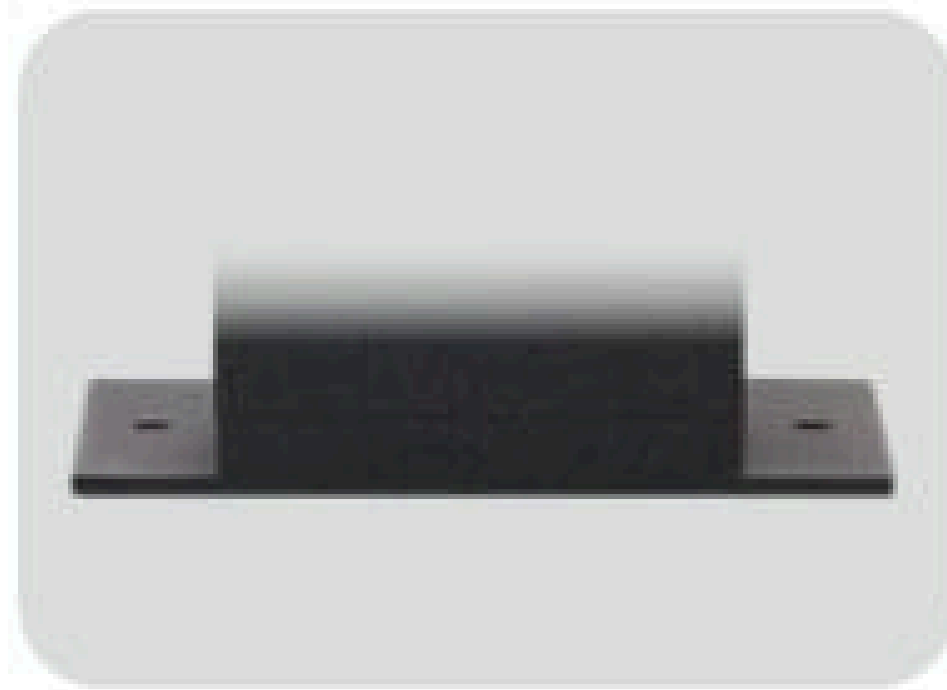
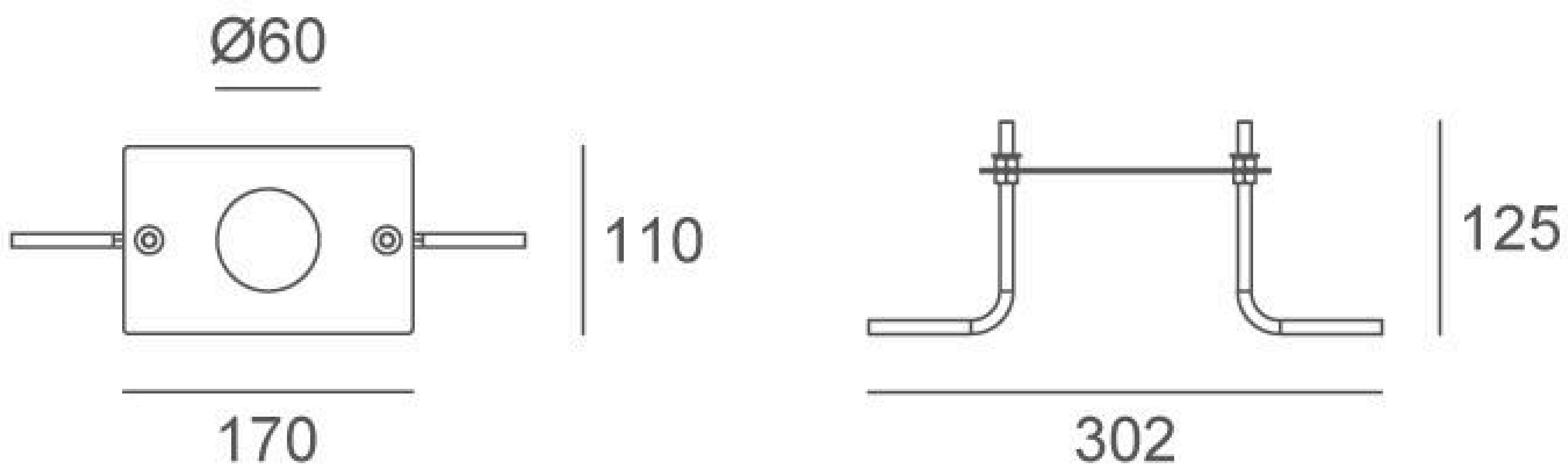
09BZLC0854

Height (mm)	600
Light Source	8×2.4W
Selected Degree (°)θ1/2	80° x 37°
Input Voltage (V)	DC 24 AC 240
Operating Current (MA)	24V=916 240V=100
Consumption (W)	24V=22 240V=22
Luminance (LM)	WW=1000
IK	05

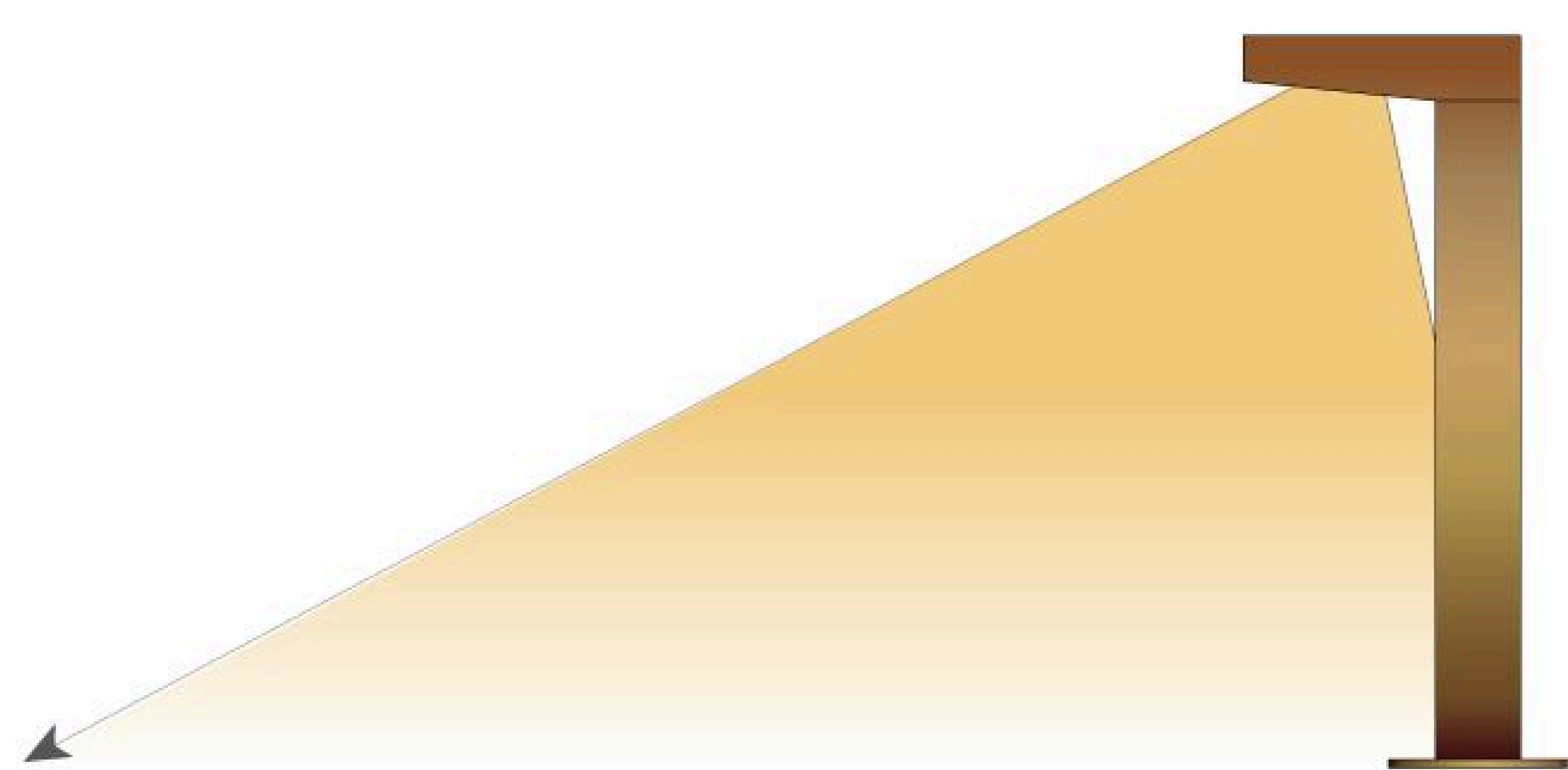
Specification

Housing	12# Die-casting aluminum with powder painting T=60-80µm. Adhesion of ISO class 1/ASTM class 4B
Light Window	PC
Gasket	Silicon Robber Molding Sharped Seal
LED Type	SMD
Operating Temperature	-20°C~40°C
LED Driver	Built in on/off driver
Power cable	Outside of luminaire (Without waterstopper) 240V: H05RN-F 3×1.0mm ² , L=0.5m

Base Options

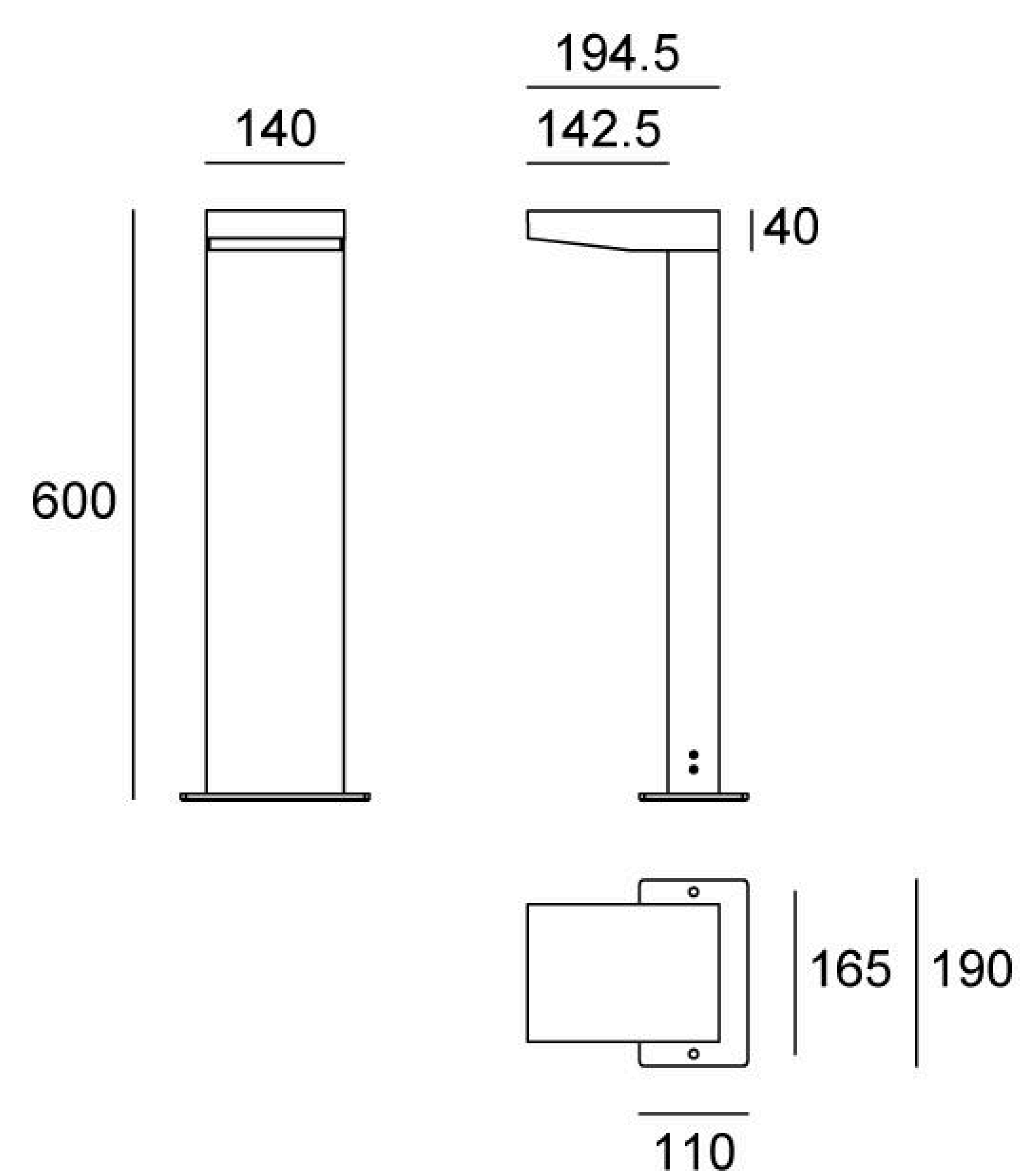
Screw Base	Inground Base (Option)
Flange base secures the fixture with screws, directly locking from surface.	JC3004
	

Beam Demo



Side-View

Linear Drawing



Unit: mm

Painting Color

Primary



Sanded Black
RAL 9005

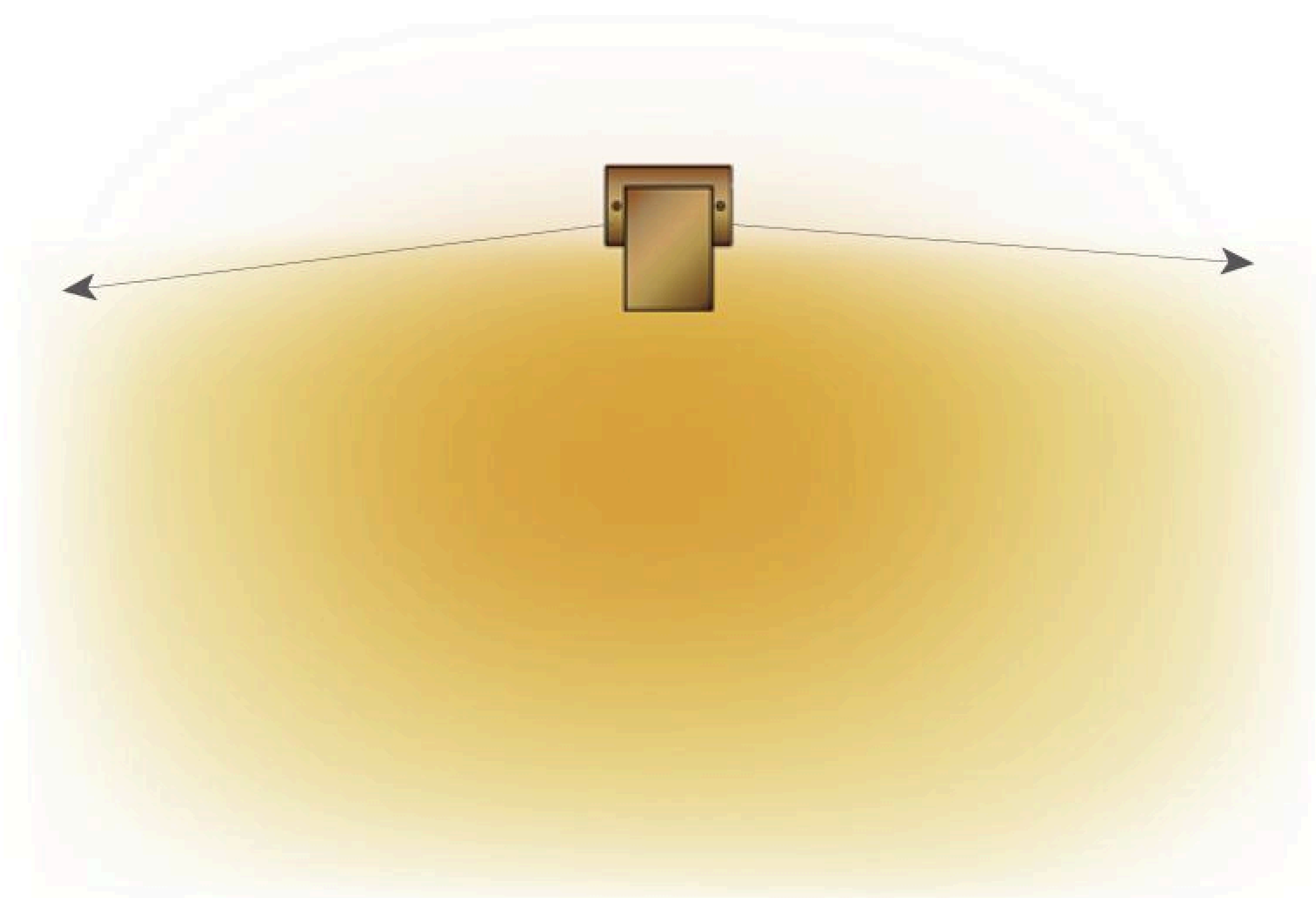
Secondary



Sanded Dark Grey
KAP 7037



Sanded Bronze
KAP 7008



Down-View