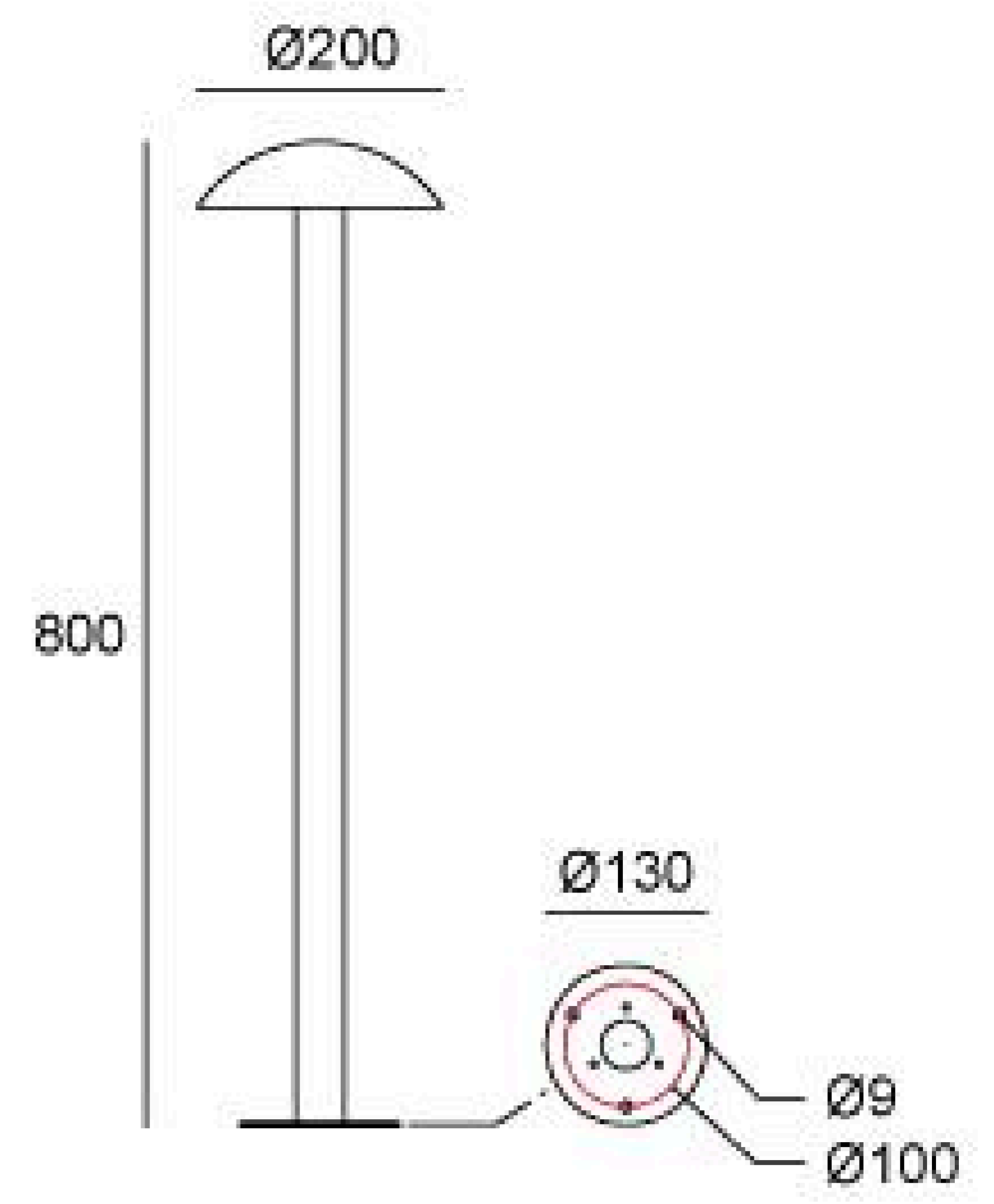


09BMHD9632

Linear Drawing

Height (mm)	800
Light Source	96×0.14W
Selected Degree (°)θ1/2	360°
Input Voltage (V)	DC 24
Operating Current (MA)	24V=625
Consumption (W)	24V=15
Luminance (LM)	24V=1300
IK	09



Unit: mm

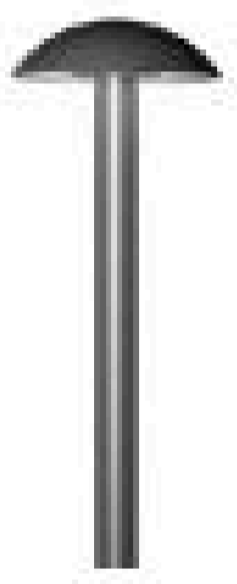
Specification

Housing	12# Die-casting aluminum with powder painting. T=60-80µm. Adhesion of ISO class 1/ASTM class 4B
Light Window	UVstop & Fire Proof PC
LED Type	SMD
Gasket	Tooling shaped seal
LED Driver	Built in on/off driver
Power Cable	Outside of luminaire (Without waterstopper) H05RN-F 3×1.0mm² L=0.3m
Dimming Support	External DALI supported TRIAC,0-10V, PWM via external driver on request
Operating Temperature	-20°C~40°C



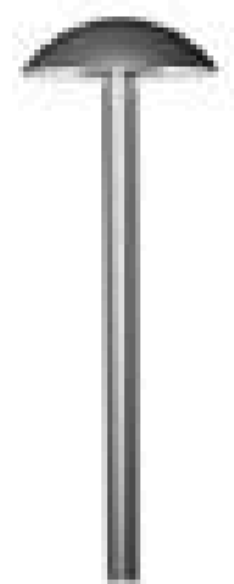
Painting Color

Primary



Sanded Dark Grey
KAP 7037

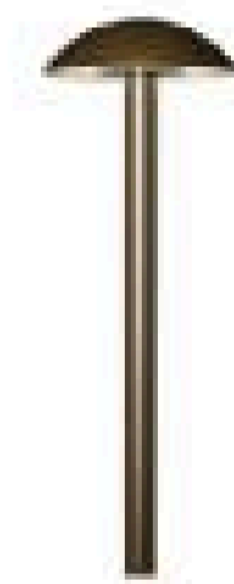
Secondary



Sanded Silver Grey
KAP 9022


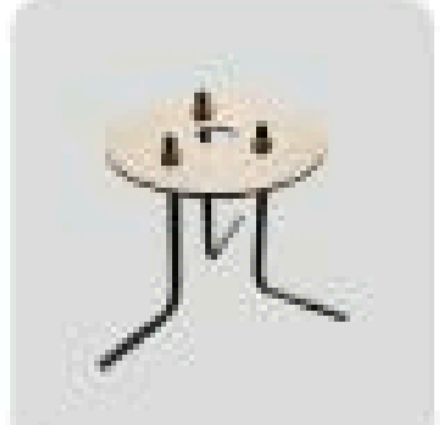
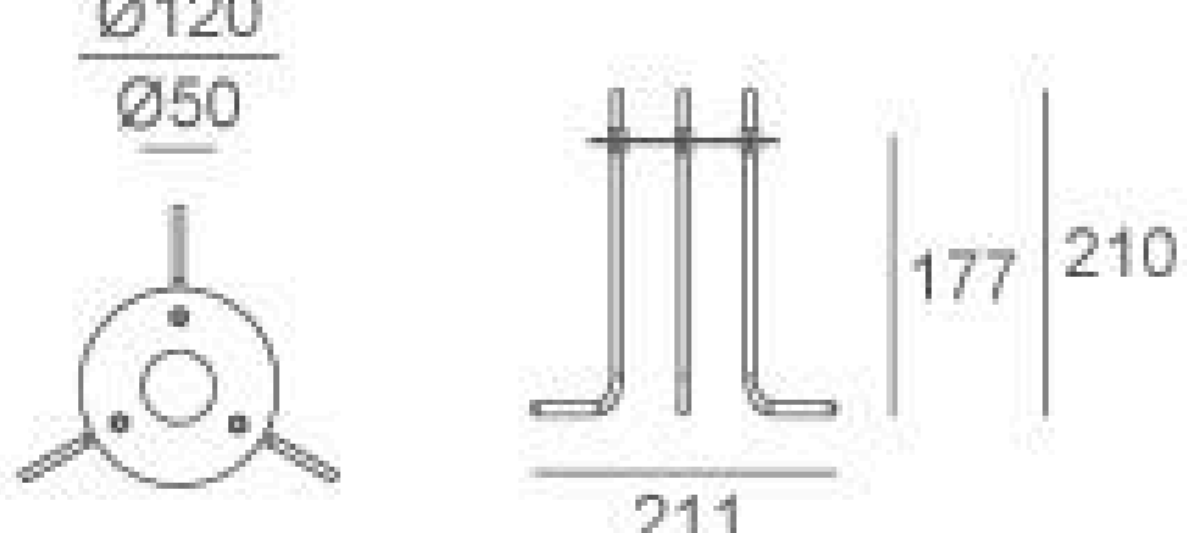
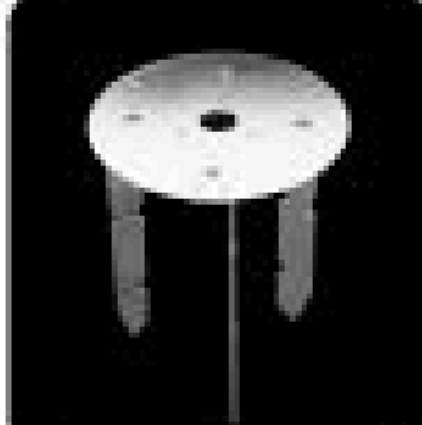
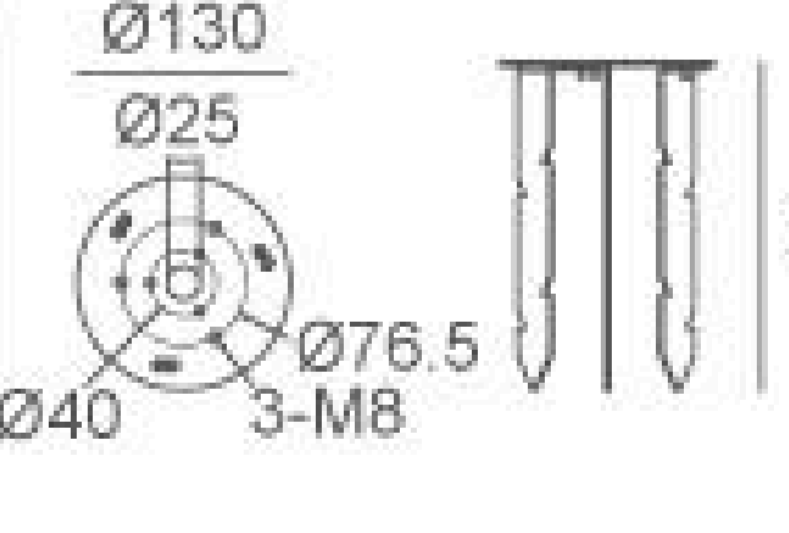


Sanded Black
RAL 9005



Sanded Bronze
KAP 7008

Base Options

Screw Base	Inground Base (Optional)	Ground Anchor Base (Optional)
 <p>A Flange Base Non-Detachable</p>	 <p>JC3002</p> 	 <p>20A</p>  <p>Installation steps (Optional)</p> 