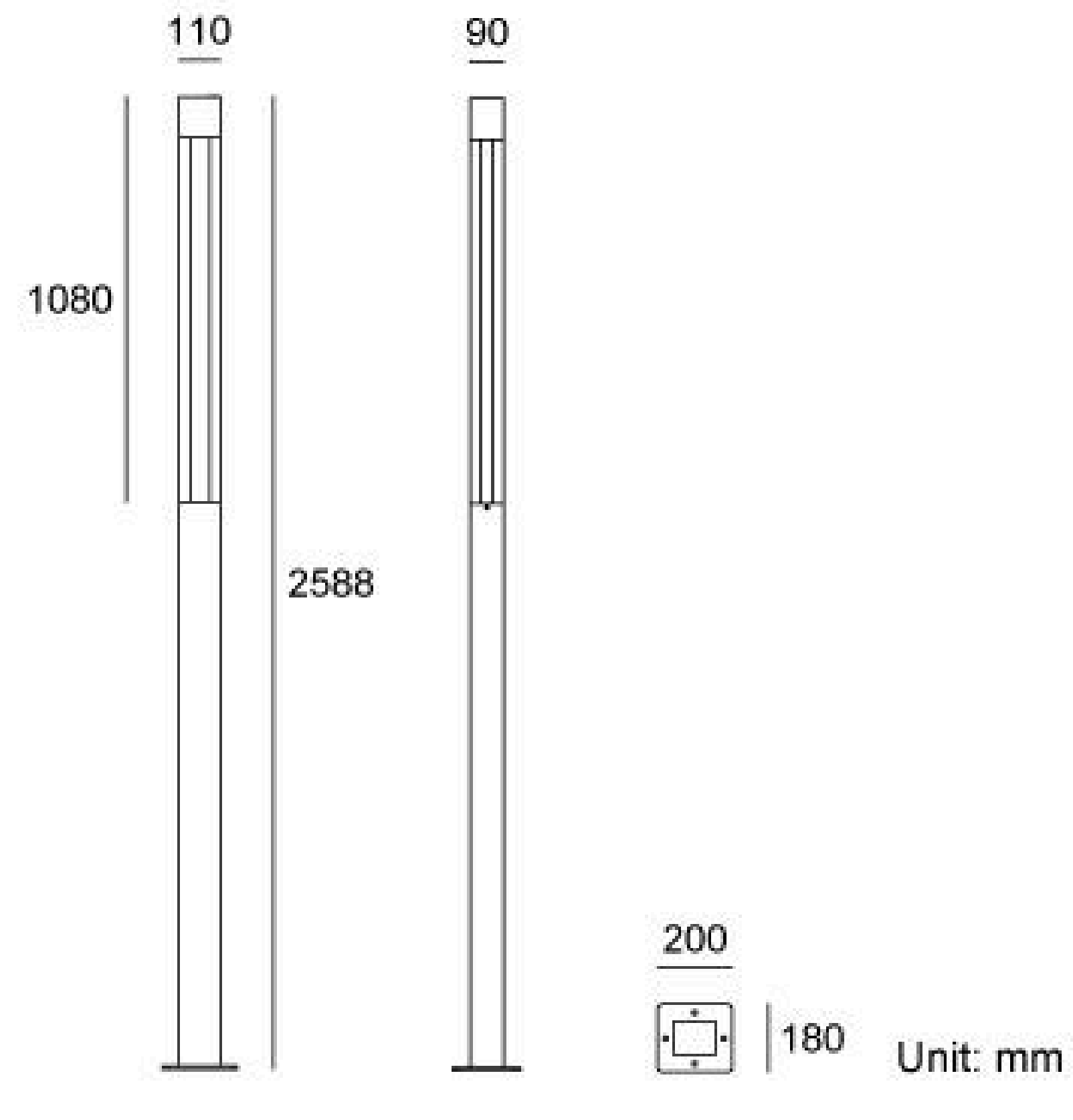


09AUTB0170

| | |
|-------------------------|-----------------|
| Height (mm) | 2588 |
| Light Source | 1x18W |
| Lens | B112 |
| Selected Degree (°)θ1/2 | 36° |
| Input Voltage (V) | DC 24 AC 240 |
| Operating Current (MA) | 24V=823 240V=89 |
| Consumption (W) | 24V=20 240V=20 |
| Luminance (LM) | WW=679 |
| IK | 07 |

Linear Drawing



Specification

| | |
|-----------------------|--|
| Housing | 12# Die-casting aluminum powder coated. T=60-80µm Adhesion of ISO class 1/ASTM class 4B |
| Light Window | PC |
| LED Type | COB |
| LED Driver | Built in on/off driver |
| Operating Temperature | -20°C~40°C |
| Power Cable | Outside of luminaire (Without waterstopper) 24V: H05RN-F 2×1.0mm², L=0.5m 240V: H05RN-F 3×1.0mm², L=0.5m |

Lens (Item Code)

Referenced Degree(°)θ1/2



15° 24° 36° 50°

Painting Color

Primary

Sanded Black
RAL 9005

Secondary

Sanded Dark Grey
KAP 7037

Sanded Bronze
KAP 7008



Installation Base

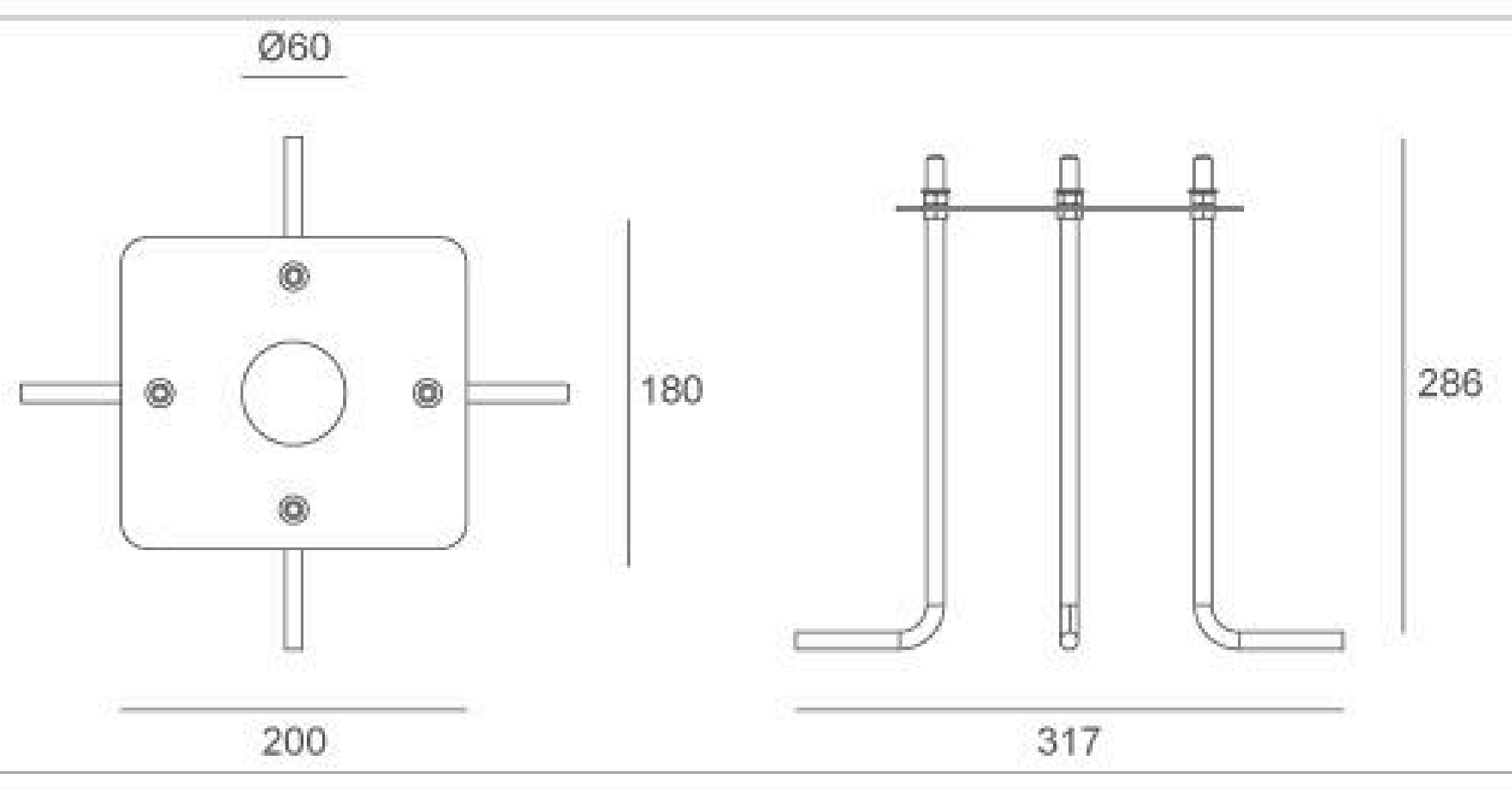
1. Flange Base(included)

Flange base secures the fixture with screws , directly locking from surface.

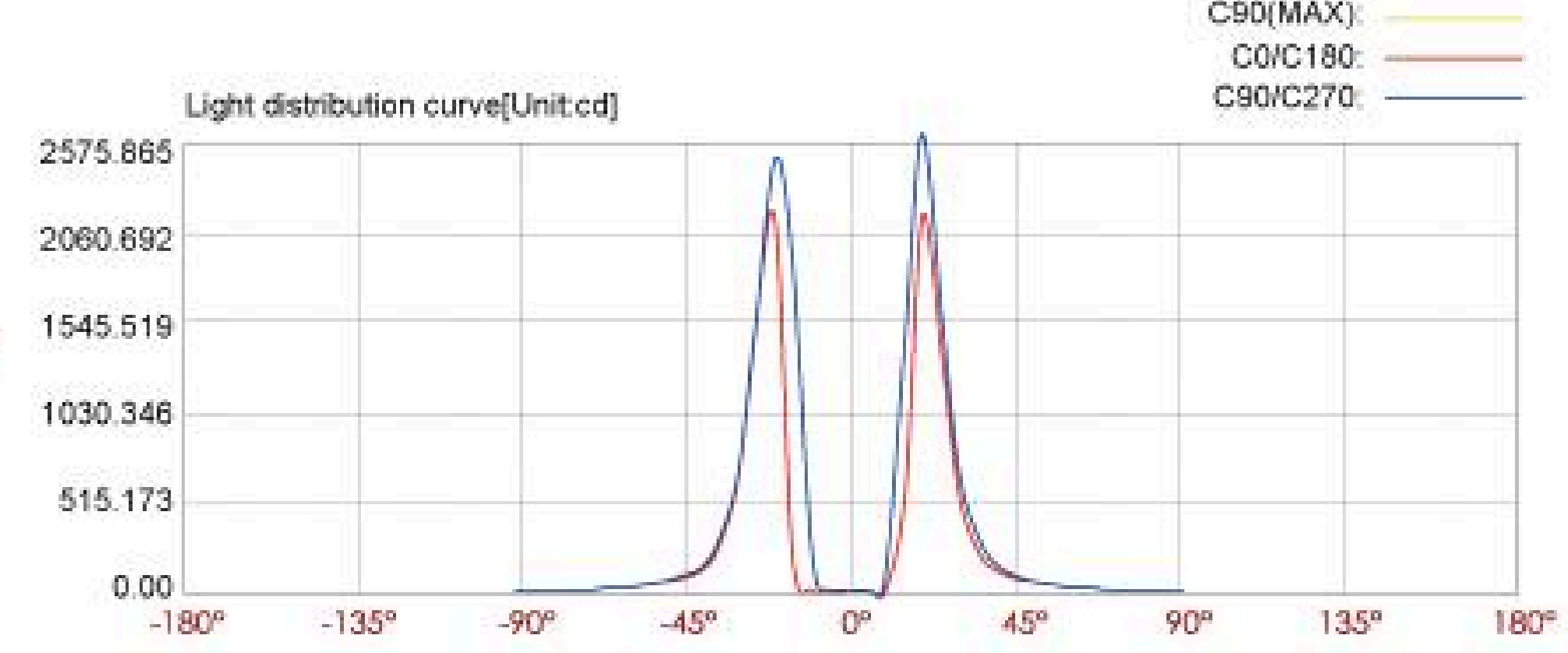
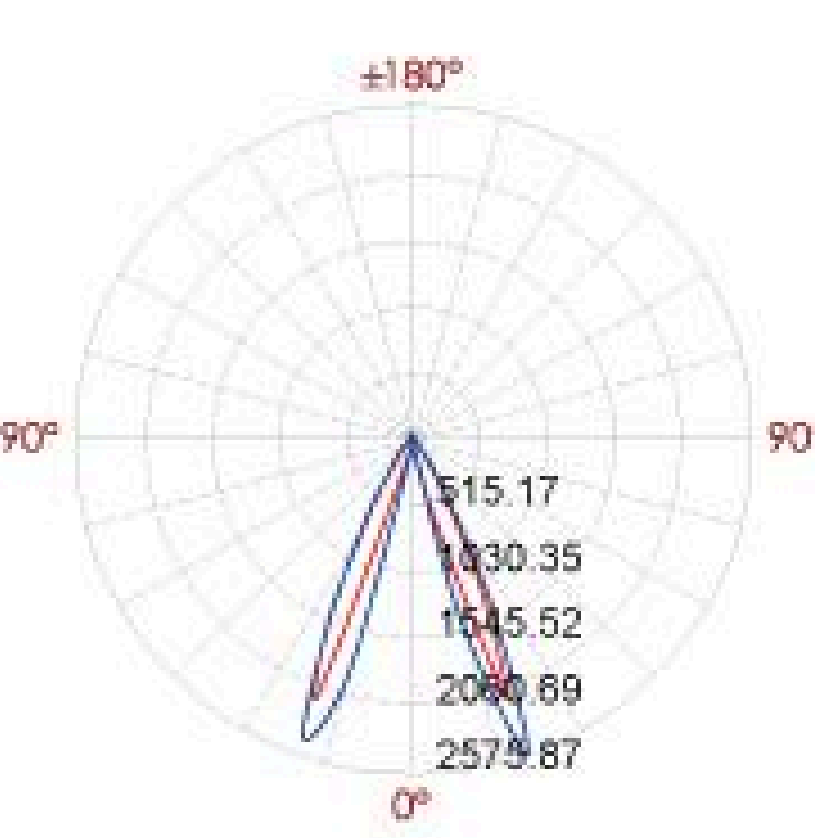
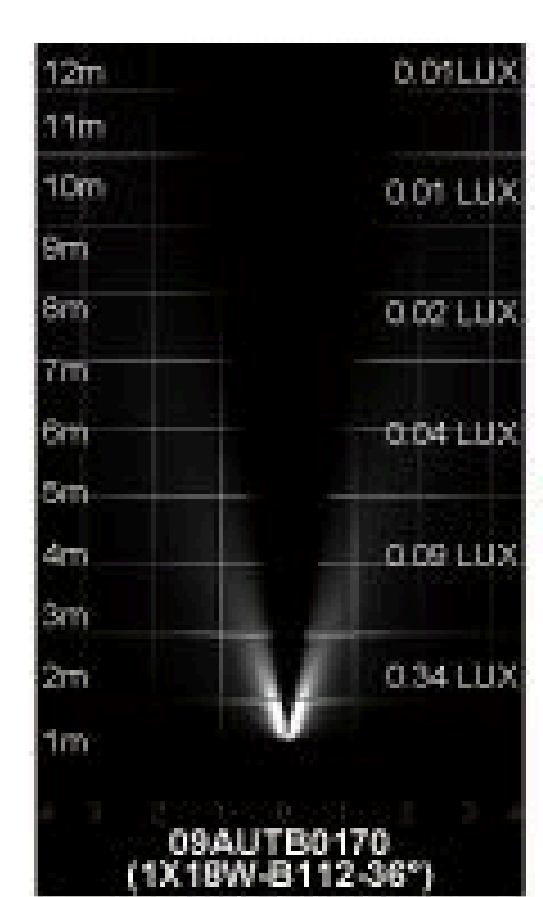


2. Inground Base(option)

JC3005



Photometric



| Illuminance at a distance | | | |
|---------------------------|--------------|--------------|--|
| Center beam LUX | Beam width V | Beam width H | |
| 2m 0.34 LUX | 0.5m | 0.4m | |
| 4m 0.09 LUX | 1.0m | 0.8m | |
| 6m 0.04 LUX | 1.5m | 1.2m | |
| 8m 0.02 LUX | 2.0m | 1.7m | |
| 10m 0.01 LUX | 2.5m | 2.1m | |
| 12m 0.01 LUX | 3.0m | 2.5m | |

Ver.Spread:14.4 Horiz.Spread:11.8