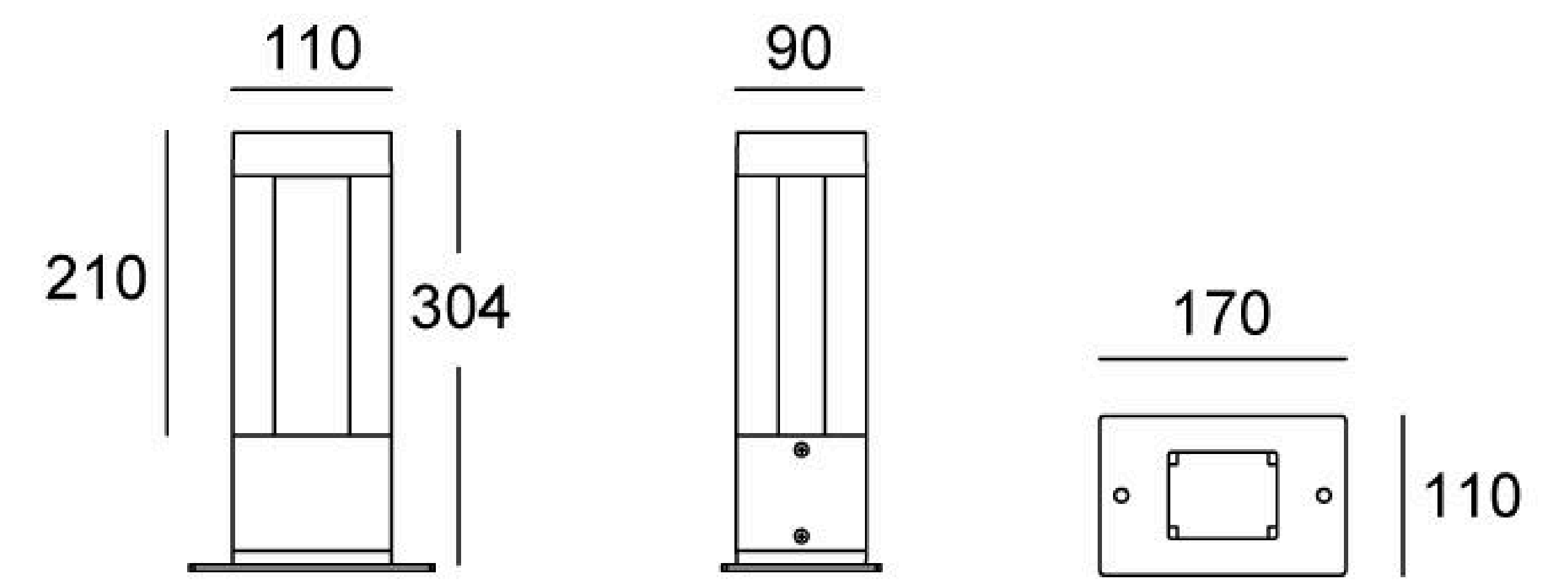


09AULB0128

Height (mm)	304
Light Source	1x10W
Lens	B51
Selected Degree (°)θ1/2	36°
Input Voltage (V)	DC 24 AC 240
Operating Current (MA)	24V=458 240V=49
Consumption (W)	11
Luminance (LM)	WW=329
IK	07

Linear Drawing



Unit: mm

Specification

Housing	12# Die-casting aluminum powder coated. T=60-80μm Adhesion of ISO class 1/ASTM class 4B
Light Window	PC
LED Type	COB
LED Driver	Built in on/off driver
Operating Temperature	-20°C~40°C
Power Cable	Outside of luminaire (Without waterstopper) 24V: H05RN-F 2×1.0mm ² , L=0.5m 240V: H05RN-F 3×1.0mm ² , L=0.5m

Lens (Item Code)

Referenced Degree(°)θ1/2

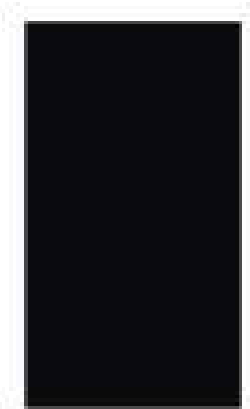


B51

20° 28° 36° 60°

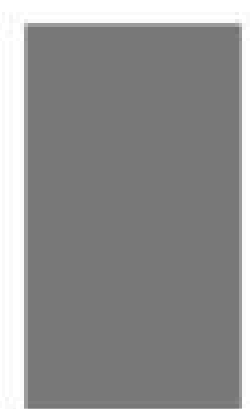
Painting Color

Primary

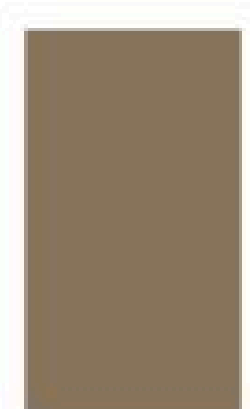


Sanded Black
RAL 9005

Secondary



Sanded Dark Grey
KAP 7037



Sanded Bronze
KAP 7008



Installation Base

1. Flange Base(included)

Flange base secures the fixture with screws , directly locking from surface.



2. Inground Base(option)

JC3004

