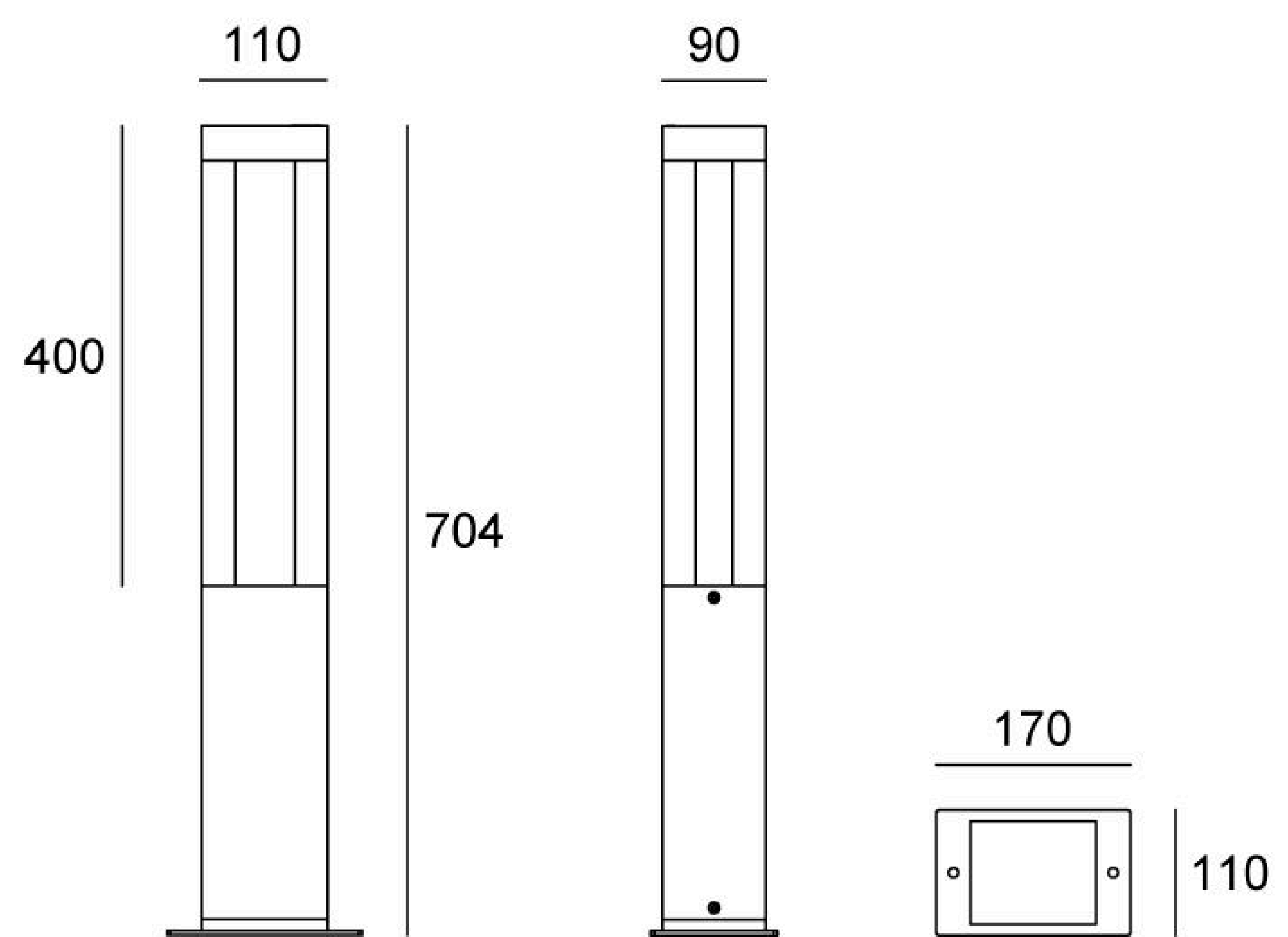


# 09AUMB0128

Height(mm)	704
Light Source	1x10W
Lens	B51
Selected Degree (°)θ1/2	36°
Input Voltage (V)	DC 24 AC 240
Operating Current (MA)	24V=458 240V=49
Consumption (W)	11
Luminance (LM)	WW=329
IK	07

## Linear Drawing



Unit: mm

## Specification

Housing	12# Die-casting aluminum powder coated. T=60-80μm Adhesion of ISO class 1/ASTM class 4B
Light Window	PC
LED Type	COB
LED Driver	Built in on/off driver
Operating Temperature	-20°C~40°C
Power Cable	Outside of luminaire (Without waterstopper) 24V: H05RN-F 2×1.0mm <sup>2</sup> , L=0.5m 240V: H05RN-F 3×1.0mm <sup>2</sup> , L=0.5m

## Lens (Item Code)

Referenced Degree(°)θ1/2

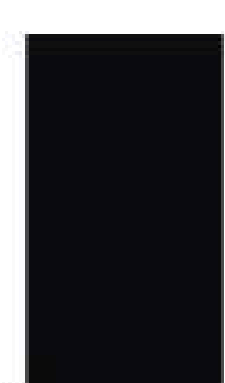


B51

20° 28° 36° 60°

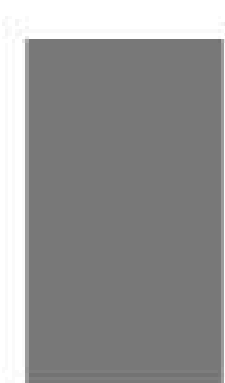
## Painting Color

### Primary

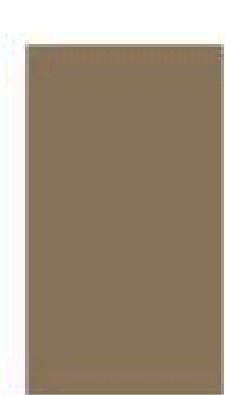


Sanded Black  
RAL 9005

### Secondary



Sanded Dark Grey  
KAP 7037



Sanded Bronze  
KAP 7008



## Installation Base

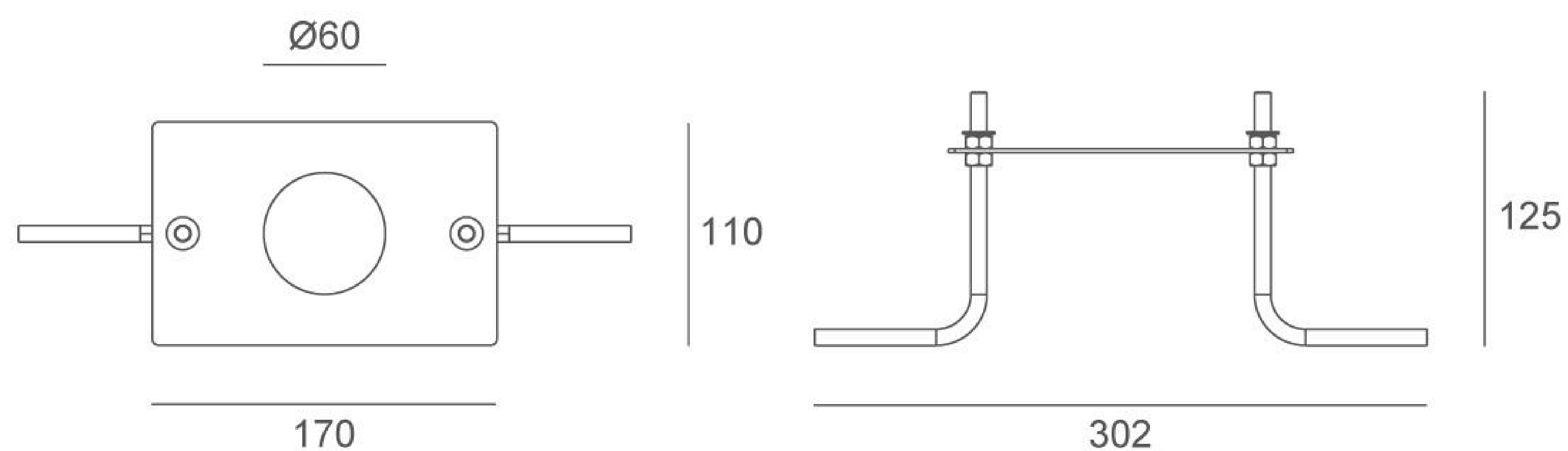
### 1. Flange Base(included)

Flange base secures the fixture with screws , directly locking from surface.



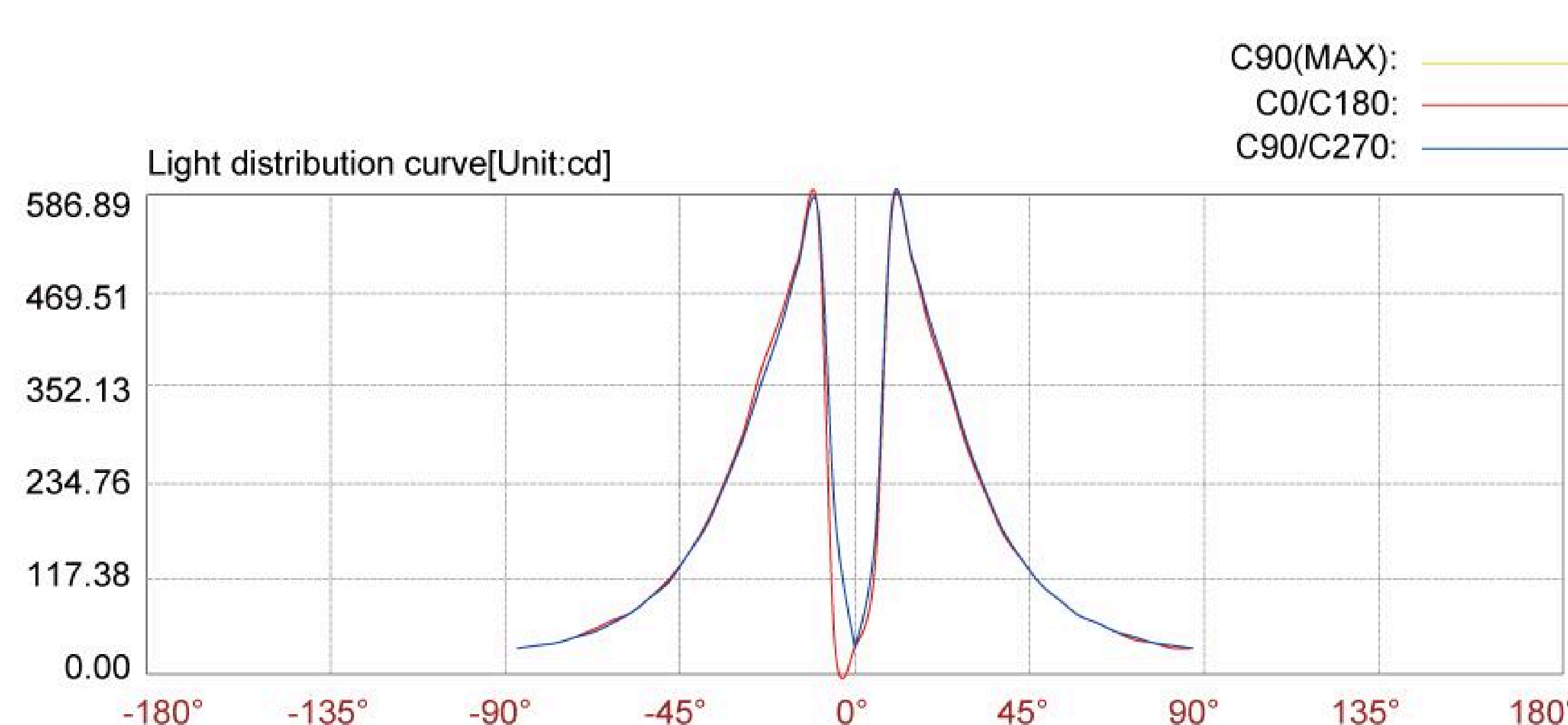
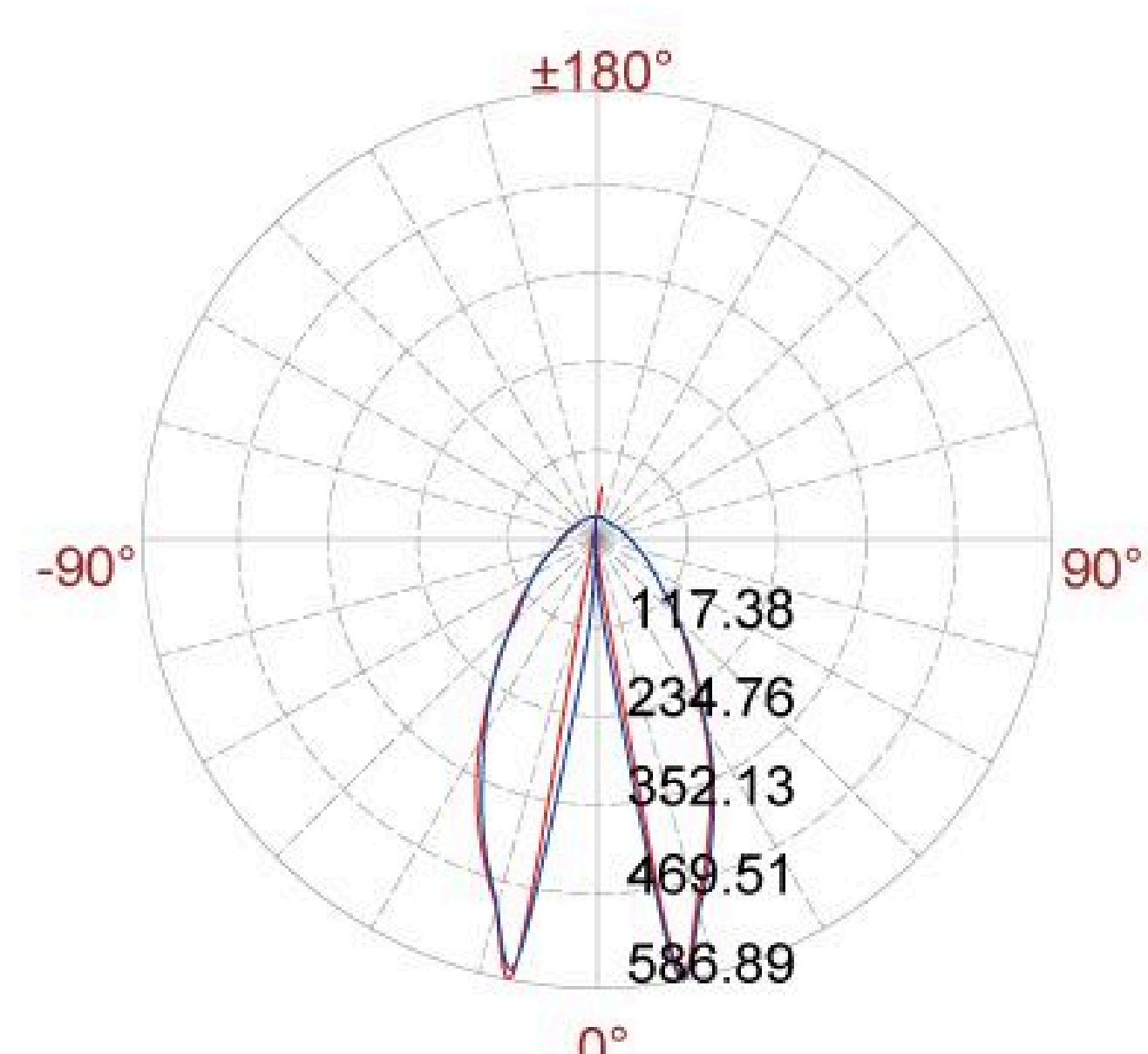
### 2. Inground Base(option)

JC3004



## Photometric

12m	0.01 LUX
11m	
10m	0.01 LUX
9m	
8m	0.02 LUX
7m	
6m	0.03 LUX
5m	
4m	0.07 LUX
3m	
2m	0.29 LUX
1m	



### Lux distance curve

Center beam LUX	Beam width	
	V	H
2m 0.29 LUX	0.4m	0.8m
4m 0.07 LUX	0.5m	1.6m
6m 0.03 LUX	1.1m	2.3m
8m 0.02 LUX	1.5m	3.1m
10m 0.01 LUX	1.9m	3.9m
12m 0.01 LUX	2.3m	4.7m

Ver.Spread:14.4 Horiz.Spread:22.0