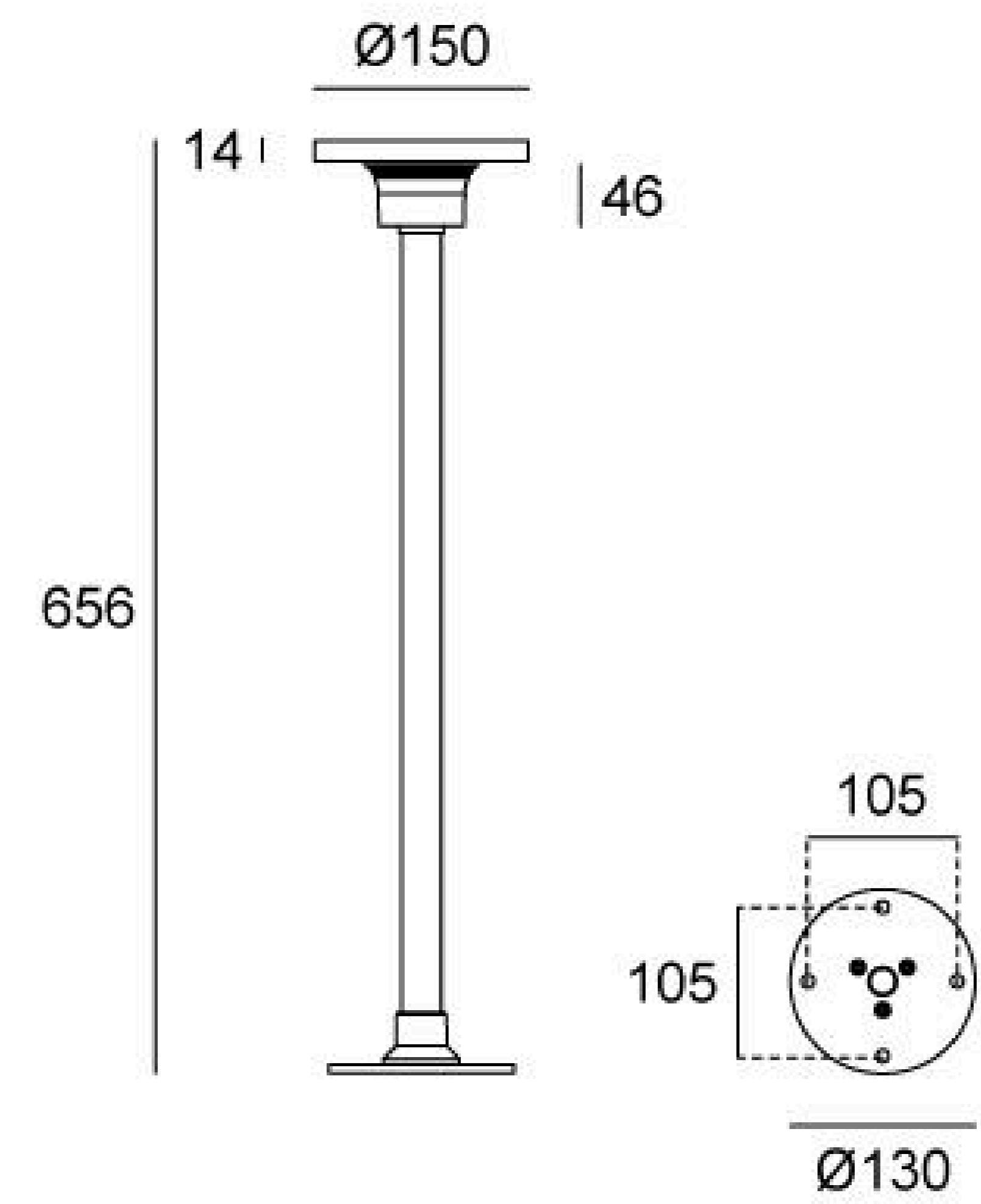


09ALHD3034A

Height (mm)	656
Light Source	30×0.25W
Selected Degree (°)θ1/2	360°
Input Voltage (V)	DC 24
Operating Current (MA)	24V=385
Consumption (W)	24V=9.2
Luminance (LM)	24V=650
IK	09

Linear Drawing

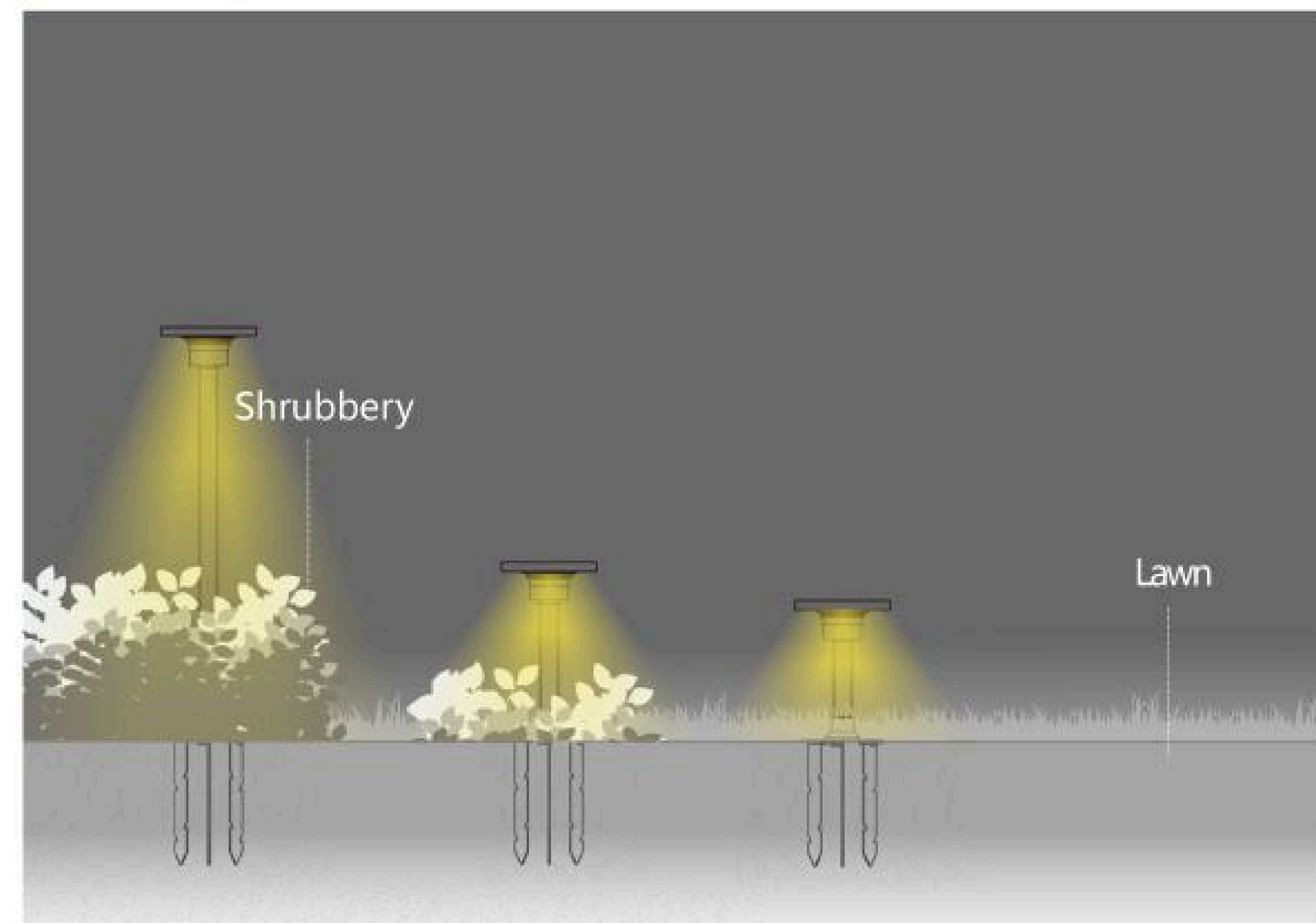


Unit: mm

Specification

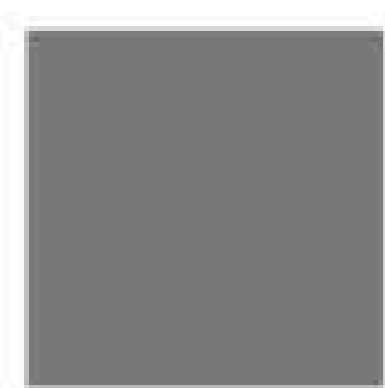
Housing	12# Die-casting aluminum finishing or powder painting. T=60-80µm. Adhesion of ISO class 1/ASTM class 4B
Light Window	PC.T=1.3mm
Gasket	Tooling shaped seal
LED Type	SMD
Spike	20A Ground Anchor Base SUS202#
Pole	Length customized
Operating Temperature	Temperature of environment between -20°C~40°C
LED Driver	Built in on/off driver
Power Cable	Outside of luminaire (Without waterstopper) H05RN-F 2×1.0mm ² L=0.3m
Dimming Support	External DALI supported TRIAC,0-10V, PWM via external driver on request

Pole Length Can Be Customized



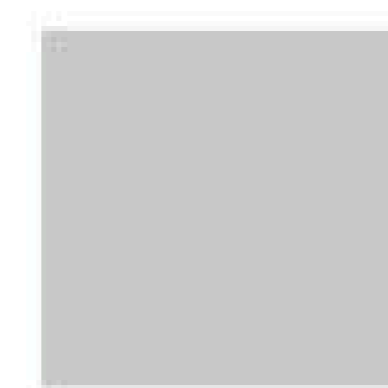
Painting Color

Primary

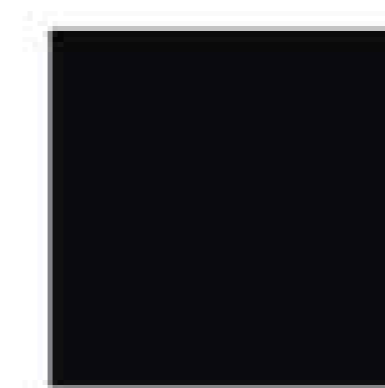


Sanded Dark Grey
KAP 7037

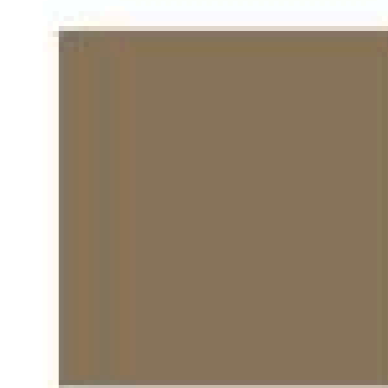
Secondary



Sanded Silver Grey
KAP 9022



Sanded Black
RAL 9005



Sanded Bronze
KAP 7008

This lamp makes your elaborately designed and planted garden still dazzling and beautiful at night.

1. Soft lighting and elegant, simple design make your garden reflect your taste.

2. The pole can be customized according to your needs to adapt to the different plant distributions and appearances in your garden, whether it's grass or shrubs. Everything is tailored to your requirements.

