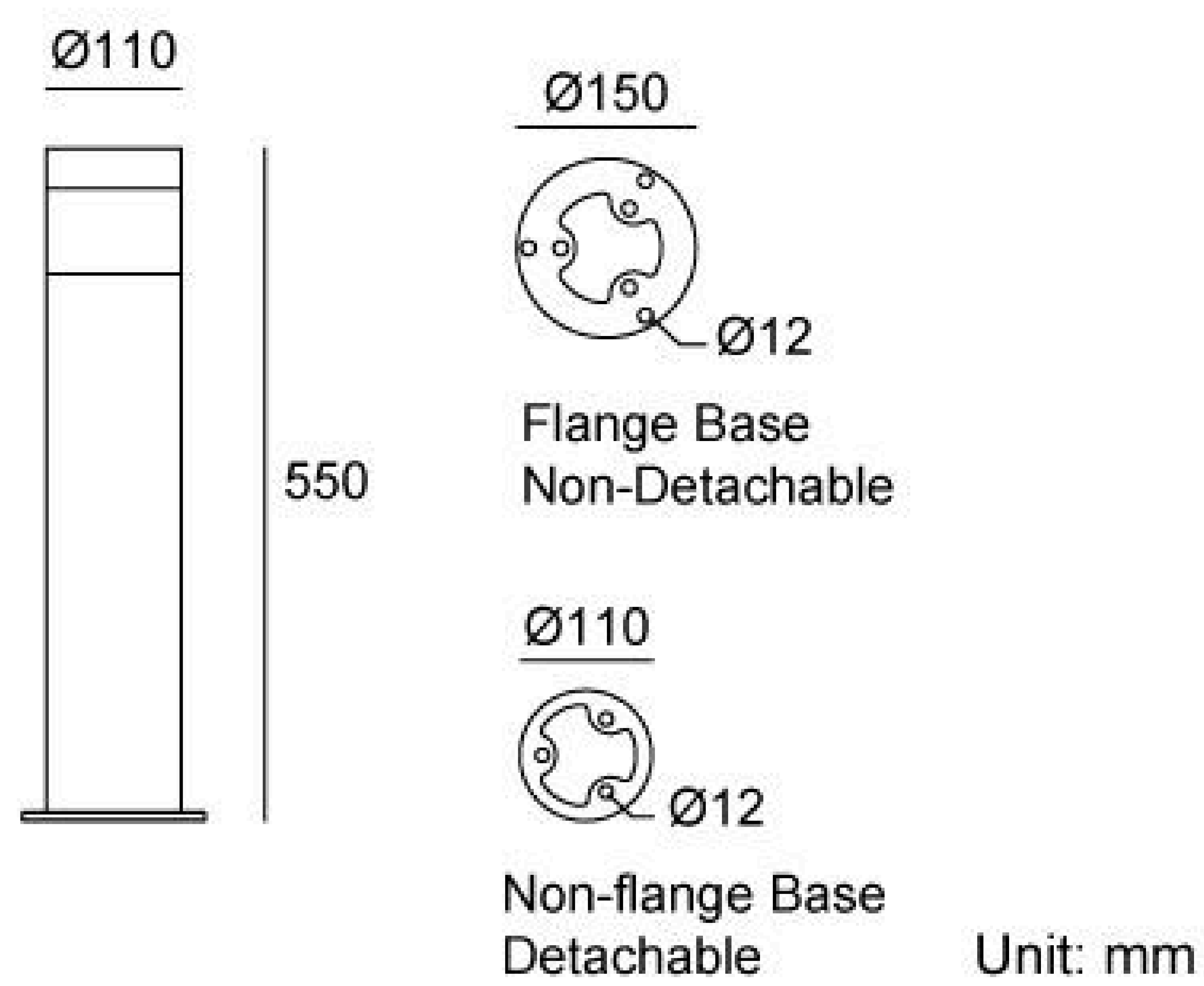


# 09AHMD2434A

Height (mm)	550
Light Source	24x0.2W
Input Voltage (V)	DC 24 AC 120 240
Operating Current (MA)	24V=200 120V=80 240V=50
Consumption (W)	24V=4.8 120V=6 240V=6.1
Luminance (LM)	VWV=300
IK	07

## Linear Drawing



## Specification

Housing	12# Die-casting aluminum powder coated. T=60-80µm Adhesion of ISO class 1/ASTM class 4B
Light Window	PMMA
LED Type	SMD
LED Driver	Built in on/off driver
Operating Temperature	-20°C~40°C
Power Cable	Outside of luminaire (Without waterstopper) 24V: H05RN-F 2×1.0mm <sup>2</sup> , L=0.5m 120V/240V: H05RN-F 3×1.0mm <sup>2</sup> , L=0.5m
Base	Flange base
Dimming Support	External DALI supported TRIAC, 0-10V, PWM via external driver on request

## Painting Color

### Primary



Sanded Black  
RAL 9005

### Secondary



Sanded Dark Grey  
KAP 7037



Sanded Bronze  
KAP 7008

## Modular Light Source and Power with IP-66



- 1 IP66 light source module with pc cover
- 2 IP66 built-in power module
- 3 IP67 cable gland

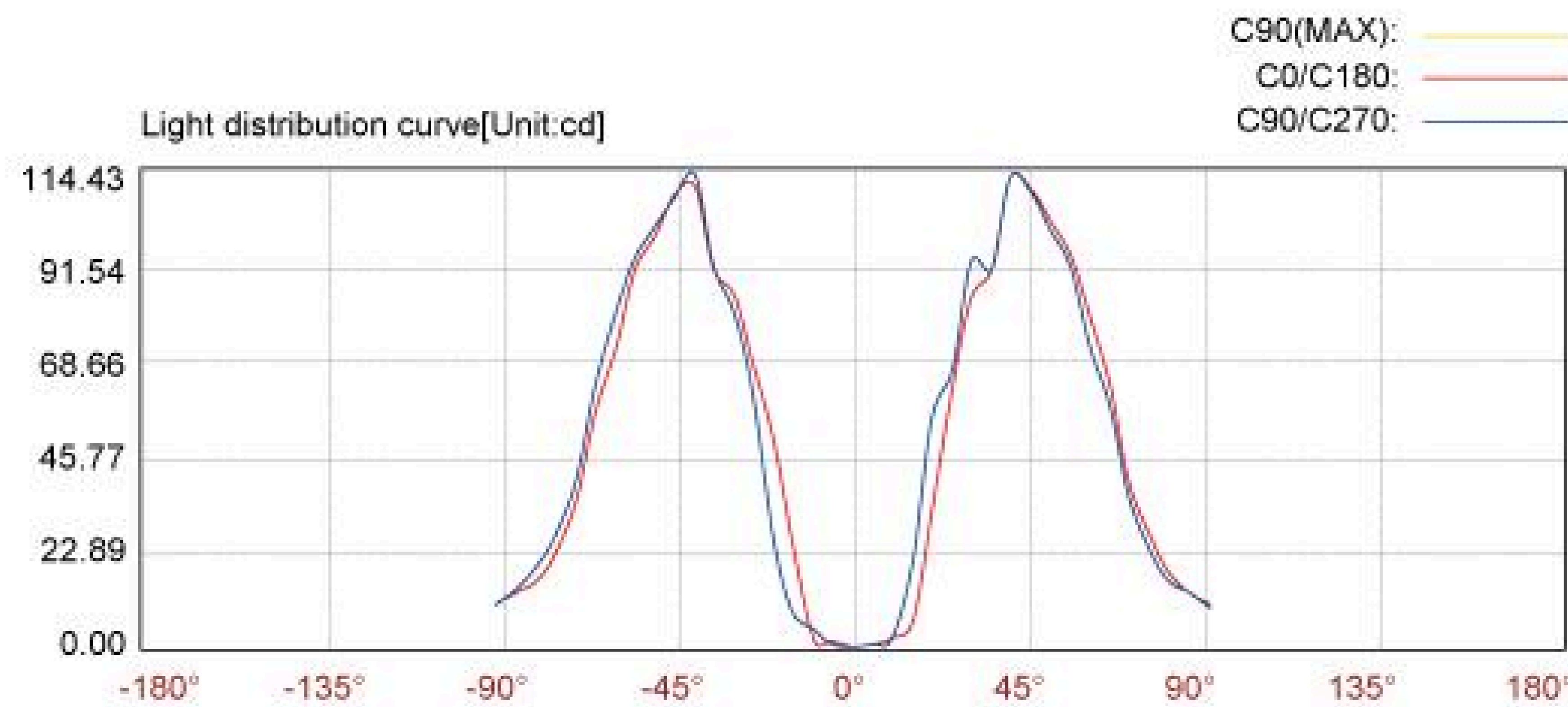
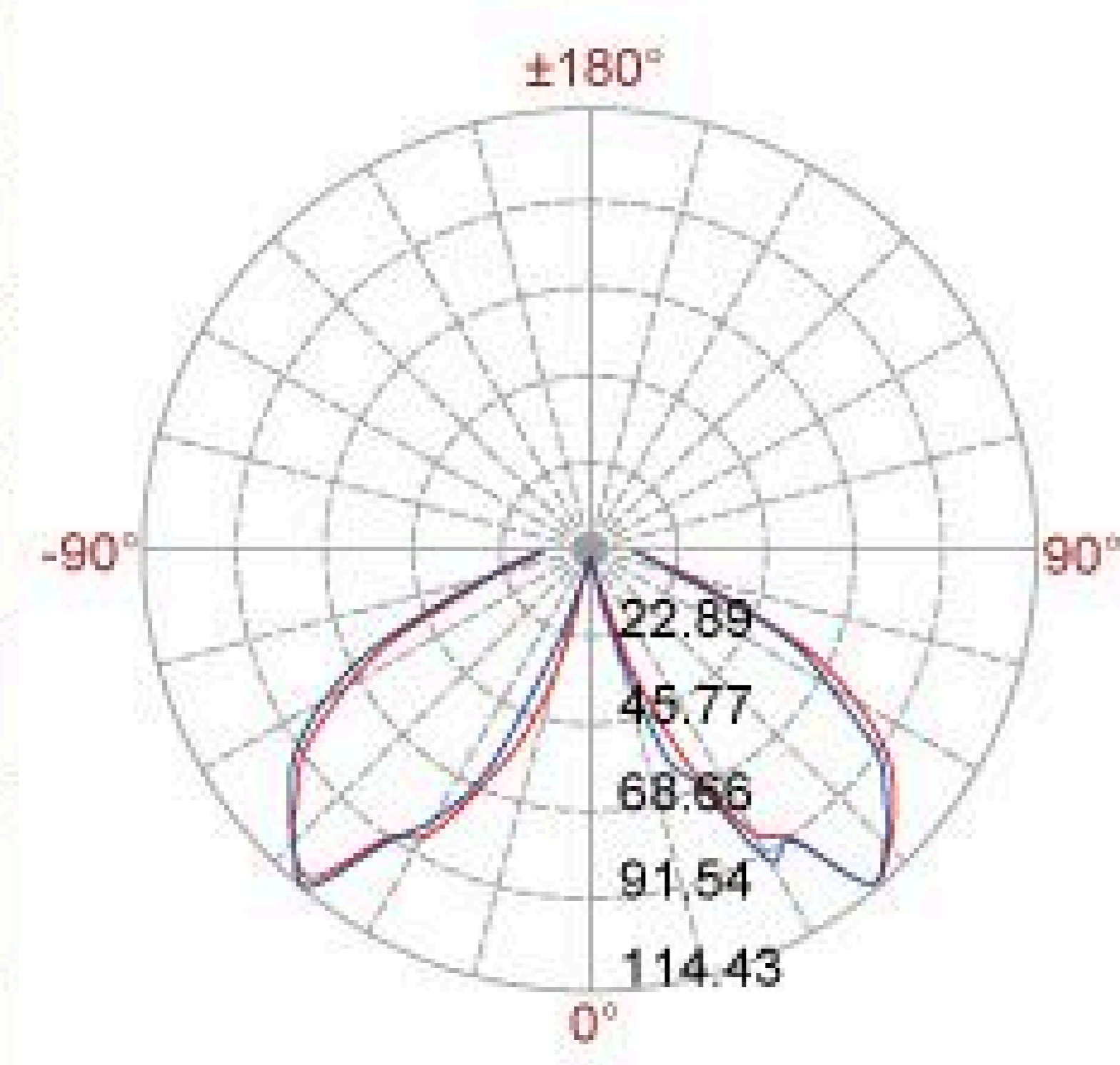


## Base Options

Source Mounting Base	Inground Base (Optional)	Ground Anchor Base (Optional)
<p>Type A Flange Base Non-Detachable</p>	<p>JC3001</p>	<p>22A</p> <p>Installation steps (Optional)</p>
<p>Type B Non-flange Base Detachable</p>	<p>JC3002</p>	<p>25A</p> <p>Installation steps (Optional)</p>

## Photometric

12m	0.01 LUX
11m	
10m	0.02 LUX
9m	
8m	0.03 LUX
7m	
6m	0.05 LUX
5m	
4m	0.11 LUX
3m	
2m	0.44 LUX
1m	



### Lux distance curve

	Illuminance at a distance		Beam width	
	Center beam LUX		V	H
2m	0.44 LUX		6.9m	7.4m
4m	0.11 LUX		13.8m	14.8m
6m	0.05 LUX		20.7m	22.2m
8m	0.03 LUX		27.6m	29.7m
10m	0.02 LUX		34.5m	37.1m
12m	0.01 LUX		41.4m	44.5m

Ver. Spread: 119.8 Horiz. Spread: 123.4