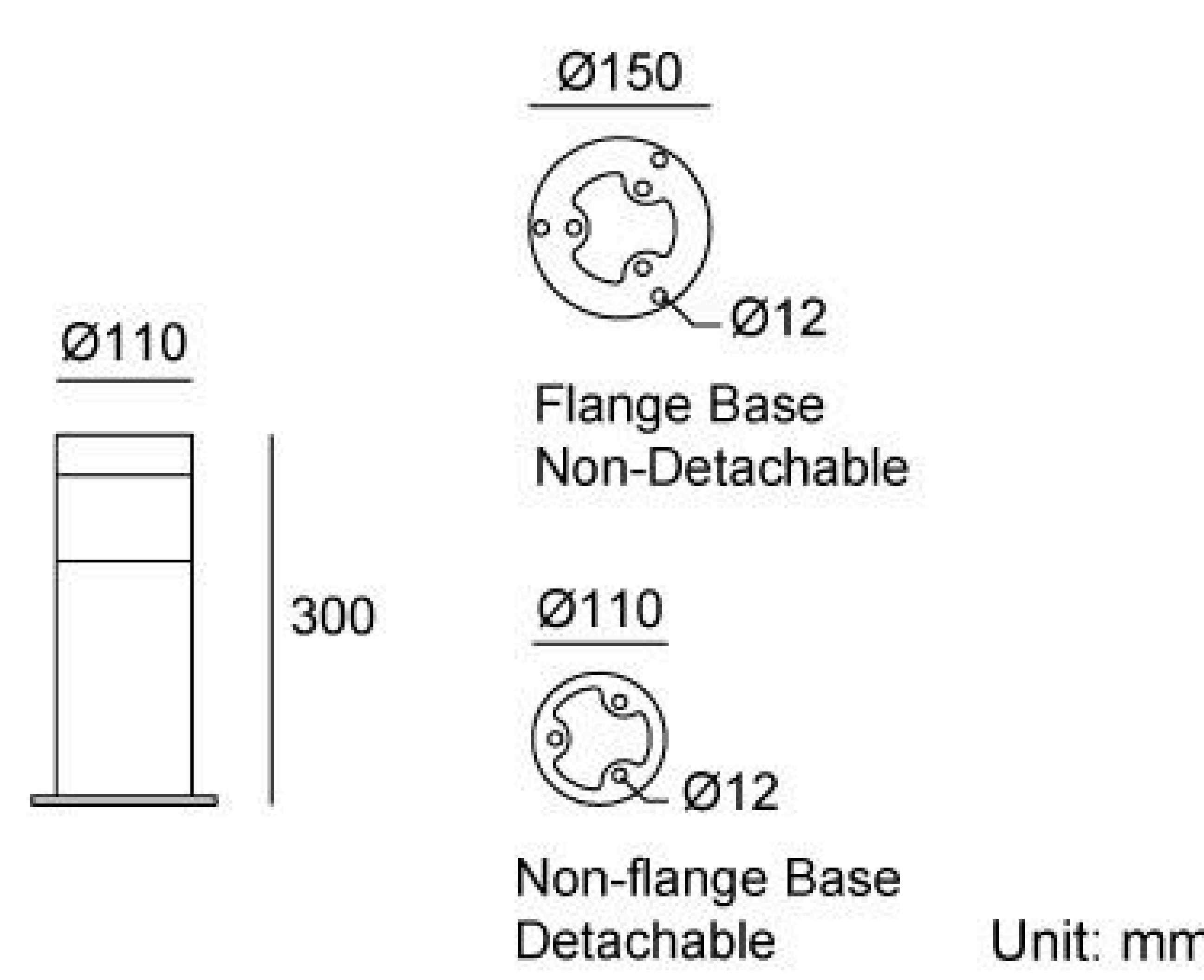


09AHL2434A

Height (mm)	300
Light Source	24x0.2W
Input Voltage (V)	DC 24 AC 120 240
Operating Current (MA)	24V=200 120V=80 240V=50
Consumption (W)	24V=4.8 120V=6 240V=6.1
Luminance (LM)	VW=300
IK	07

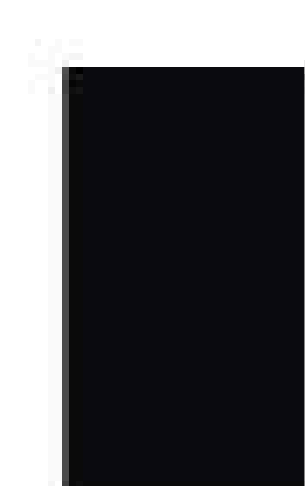
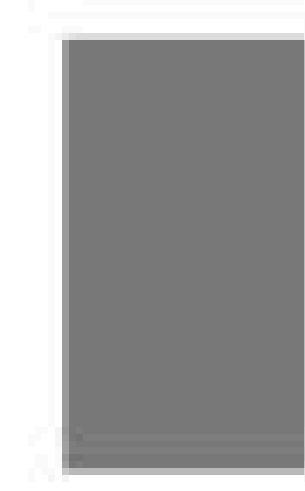
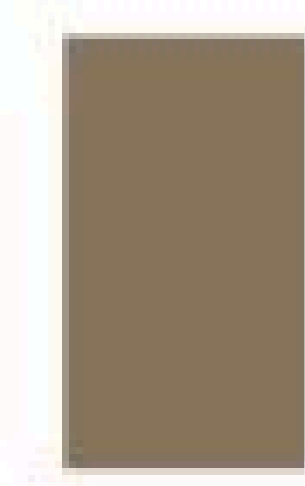
Linear Drawing



Specification

Housing	12# Die-casting aluminum powder coated. T=60-80µm Adhesion of ISO class 1/ASTM class 4B
Light Window	PMMA
LED Type	SMD
LED Driver	Built in on/off driver
Operating Temperature	-20°C~40°C
Power Cable	Outside of luminaire (Without waterstopper) 24V: H05RN-F 2×1.0mm², L=0.5m 120V/240V: H05RN-F 3×1.0mm², L=0.5m
Base	Flange base
Dimming Support	External DALI supported TRIAC, 0-10V, PWM via external driver on request



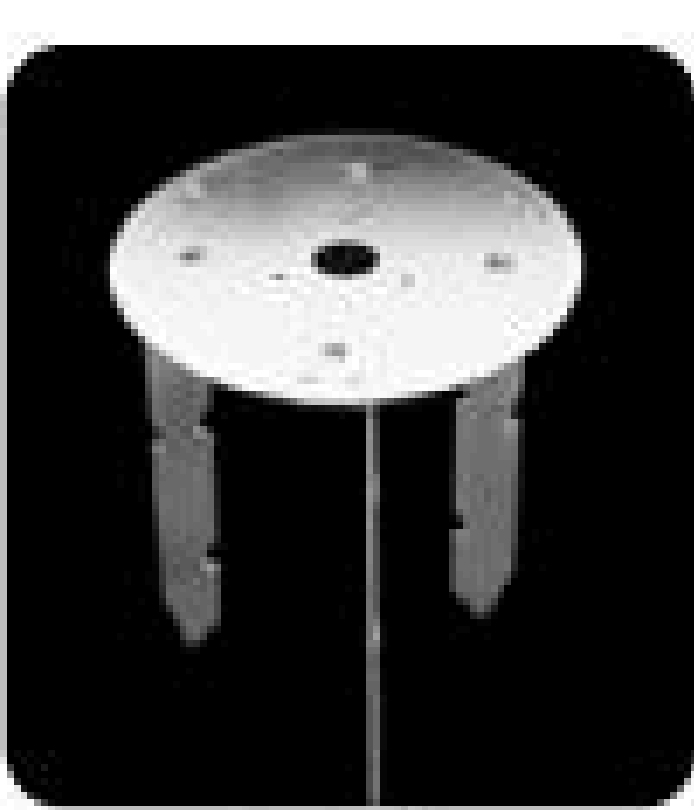
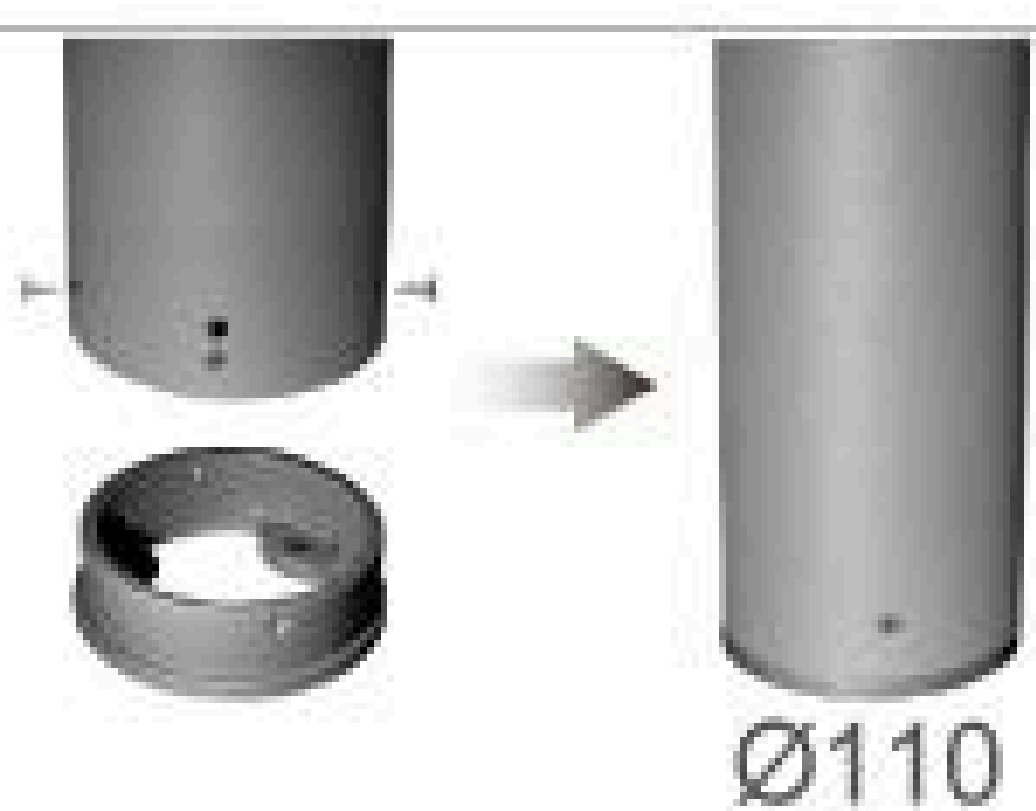

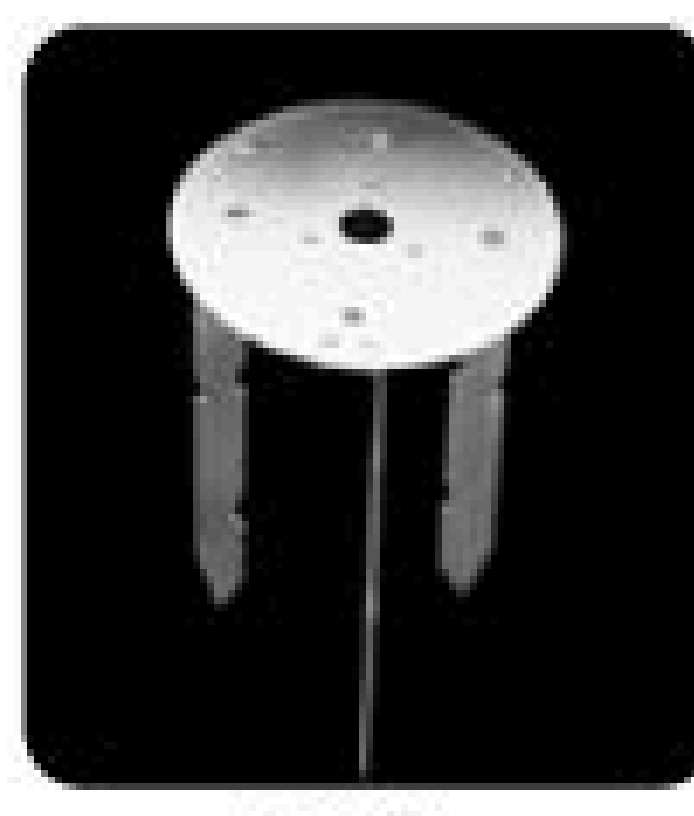
Painting Color

Primary	 Sanded Black RAL 9005
Secondary	 Sanded Dark Grey KAP 7037
	 Sanded Bronze KAP 7008

Modular Light Source and Power with IP-66



Base Options

Source Mounting Base	Inground Base (Optional)	Ground Anchor Base (Optional)
 <p>Ø150 Ø12 Type A Flange Base Non-Detachable</p>	 <p>JC3001 Ø160 Ø90 258 177 210</p>	 <p>22A Ø150 250 Installation steps (Optional)</p>
 <p>Ø110 Ø12 Type B Non-flange Base Detachable</p>	 <p>JC3002 Ø120 Ø50 211 177 210</p>	 <p>25A Ø110 250 Installation steps (Optional)</p>

Photometric

