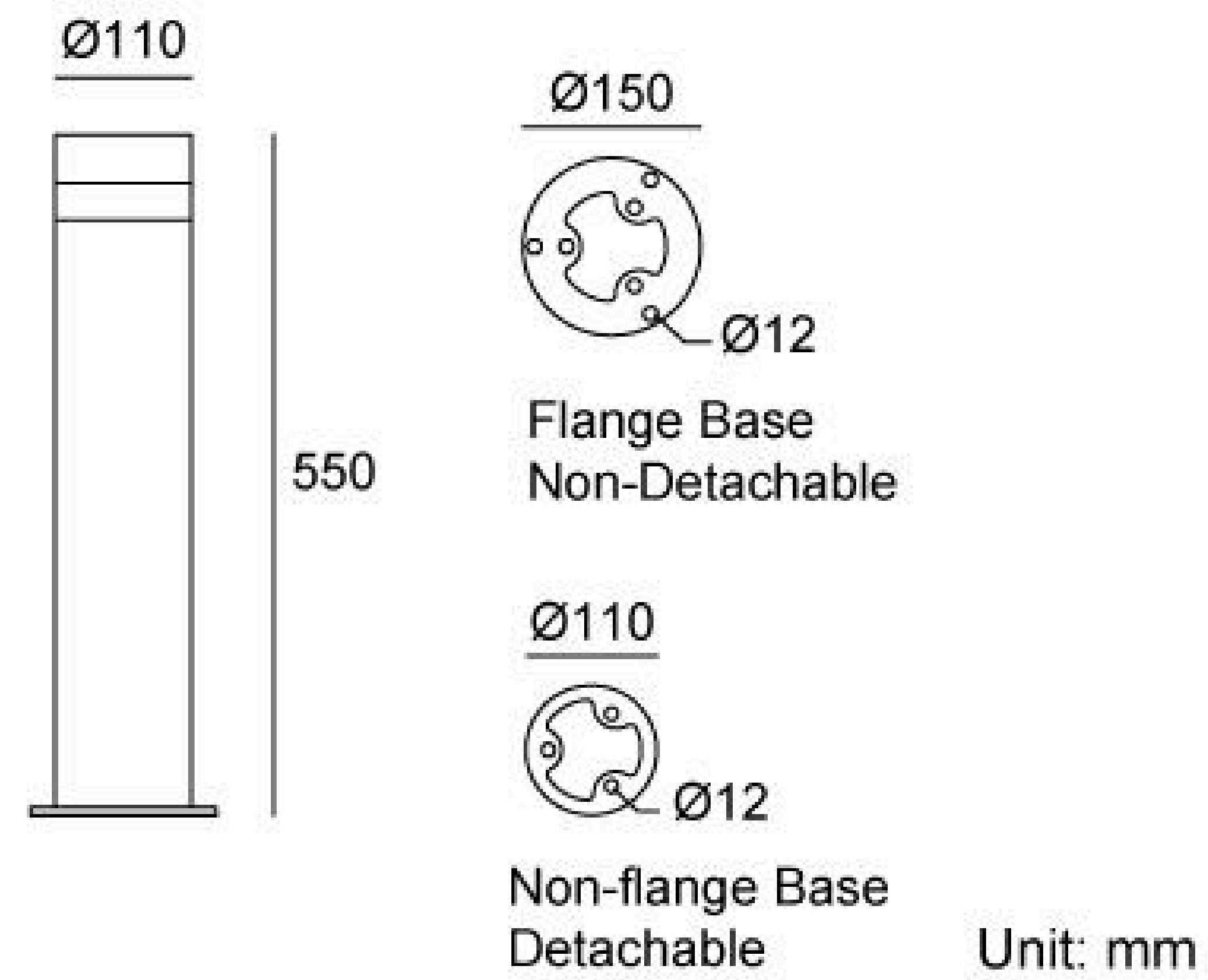


# 09AFMD1234

## Linear Drawing

Height (mm)	550
Light Source	12x0.5W
Input Voltage (V)	DC 24 AC 120 240
Operating Current (MA)	24V=250 120V=60 240V=35
Consumption (W)	24V=6 120V=7 240V=7
Luminance (LM)	WW=168
IK	07



## Specification

Housing	12# Die-casting aluminum powder coated. T=60-80µm Adhesion of ISO class 1/ASTM class 4B
Light Window	PMMA
LED Type	SMD
LED Driver	Built in on/off driver
Operating Temperature	-20°C~40°C
Power Cable	Outside of luminaire (Without waterstopper) 24V: H05RN-F 2×1.0mm <sup>2</sup> , L=0.5m 120V/240V: H05RN-F 3×1.0mm <sup>2</sup> , L=0.5m
Base	Flange base
Dimming Support	External DALI supported TRIAC,0-10V, PWM via external driver on request

## Painting Color

### Primary



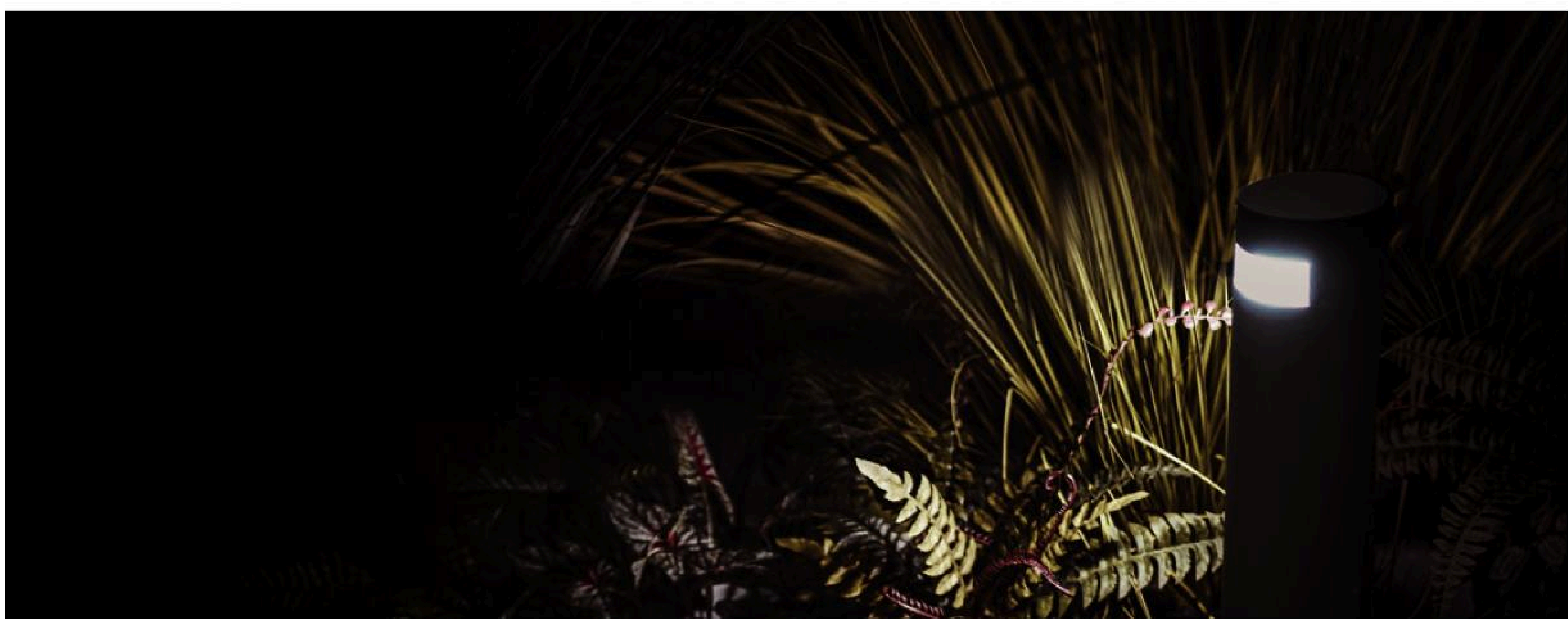
### Secondary



## Base Options

Source Mounting Base	Inground Base (Optional)	Ground Anchor Base (Optional)
<p><b>Type A</b> Flange Base Non-Detachable</p>	<p>JC3001</p>	<p>22A</p>
<p><b>Type B</b> Non-flange Base Detachable</p>	<p>JC3002</p>	<p>25A</p>

## Beam Demo



## Photometric

