

08ZKB0170

Light Source	1x18W
Lens	B113
Selected Degree (°)θ1/2	36°
Input Voltage (V)	DC 24 AC 240
Operating Current (MA)	24V=833 240V=96
Consumption (W)	24V=20 240V=21
Luminance (LM)	240V=2000
IK	08

Specification

Housing	12# Die-casting aluminum powder painting
Painting	Powder coating, T= 60~80 μm. Adhesion of ISO class 1/ASTM class 4B
Lens	OPTICS reflector. efficiency≥85%
LED Type	COB
Power Cable	Outside of luminaire (Without waterstopper) H05RN-F 2×1.0mm ² , L=0.3m(24V) H05RN-F 3×1.0mm ² , L=0.3m(240V)
Operating Temperature	-20°C~40°C

Painting Color



Features

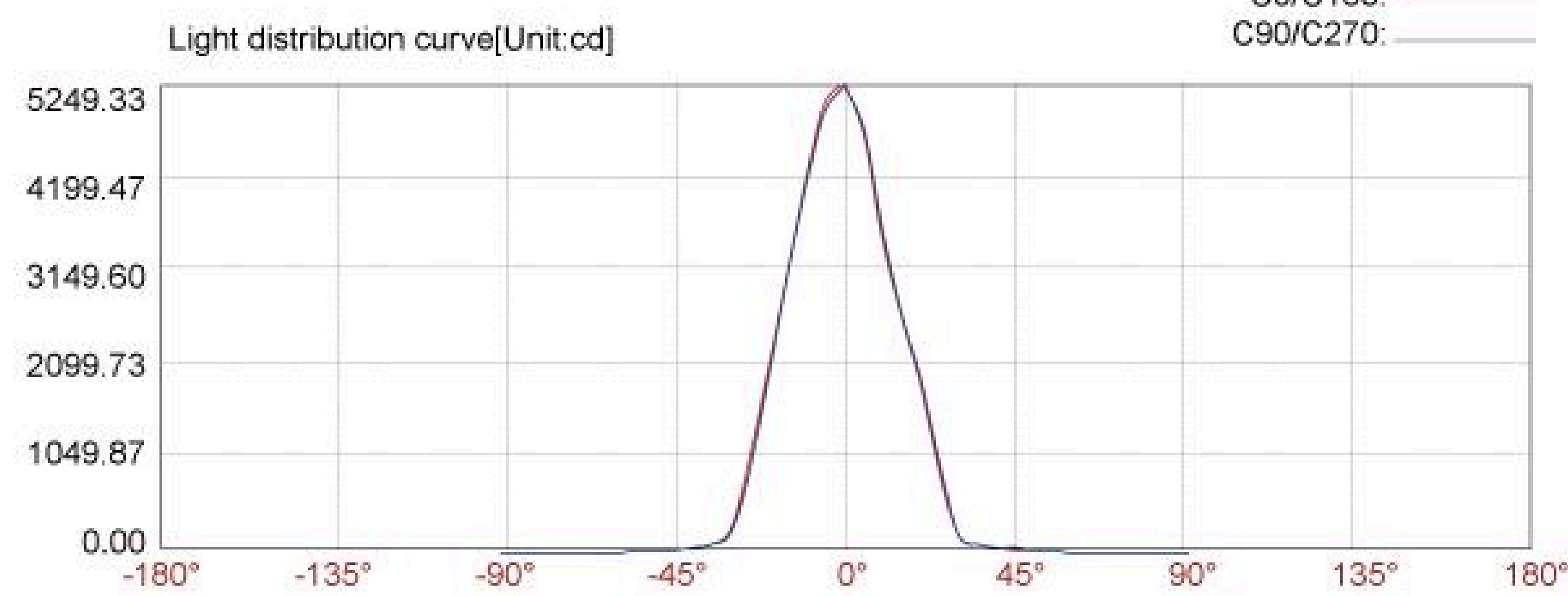
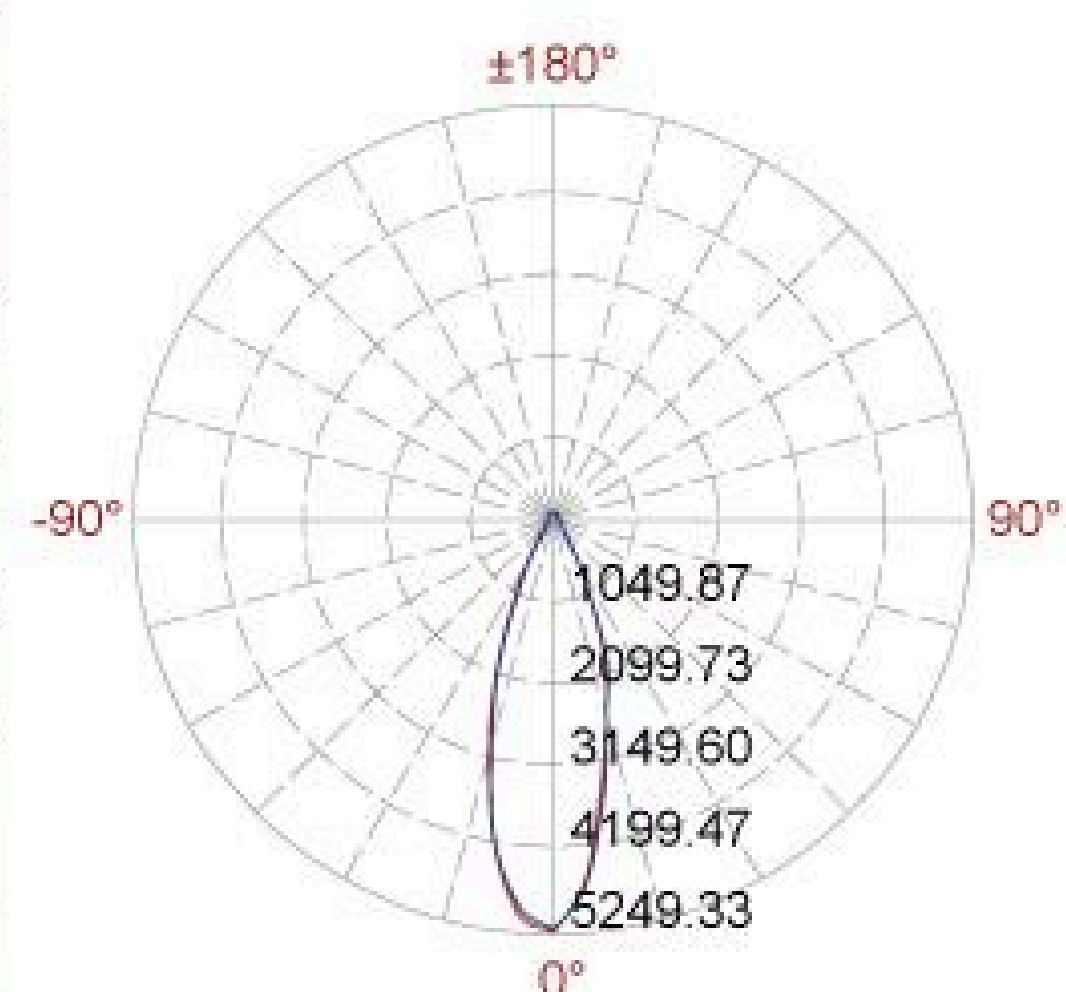


Safety Hook

Hook at the fixator for safer wiring, leave the hook for protection.

Photometric

12m	36.39 LUX
11m	
10m	52.40 LUX
9m	
8m	81.87 LUX
7m	
6m	145.55 LUX
5m	
4m	327.49 LUX
3m	
2m	1309.95 LUX
1m	

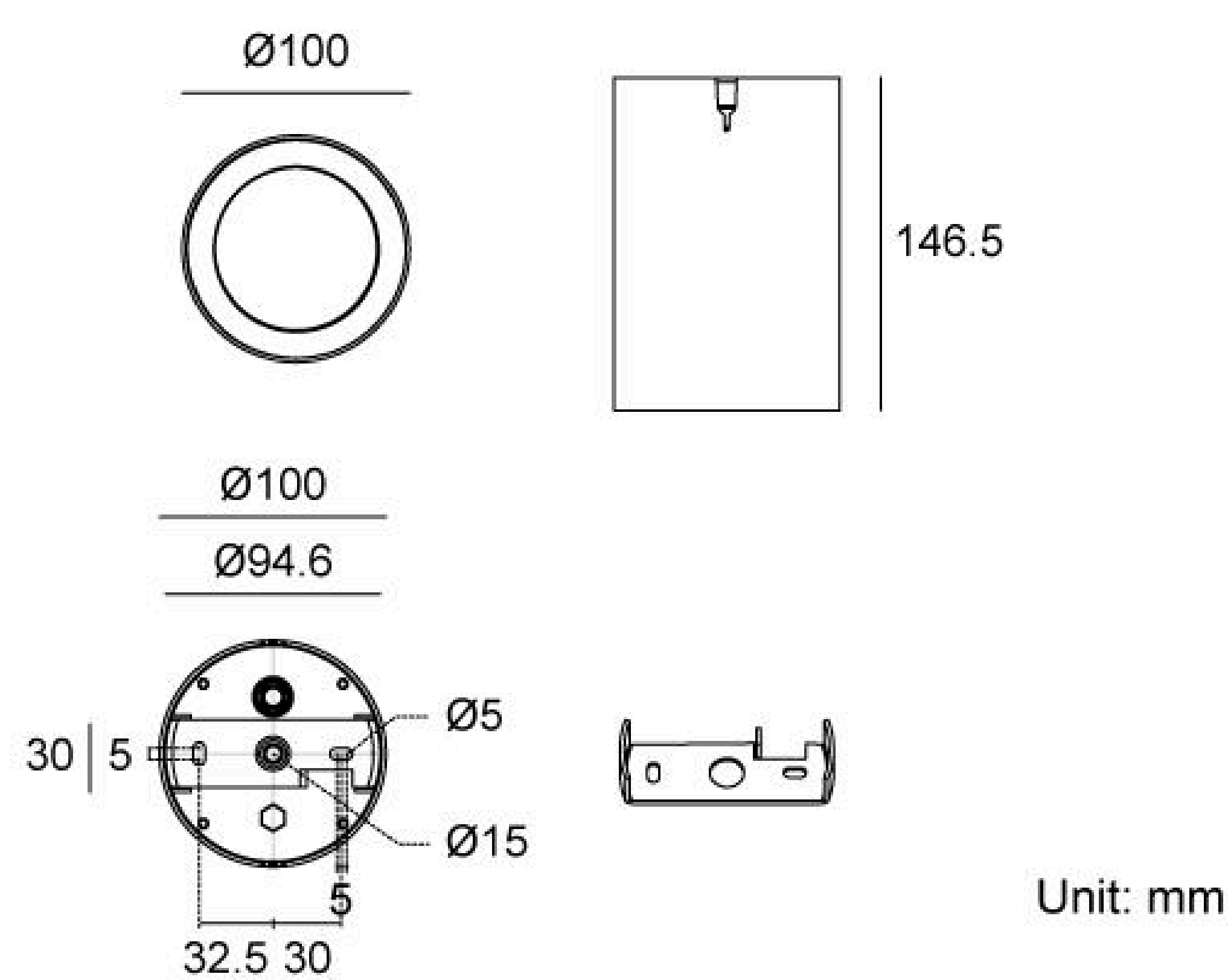


C90(MAX):
C0/C180:
C90/C270:

Illuminance at a distance			
Center beam LUX	Beam width V	Beam width H	
2m	1309.95 LUX	1.2m	1.1m
4m	327.49 LUX	2.3m	2.3m
6m	145.55 LUX	3.5m	3.4m
8m	81.87 LUX	4.6m	4.6m
10m	52.40 LUX	5.8m	5.7m
12m	36.39 LUX	6.9m	6.9m

Ver.Spread:32.1 Horiz.Spread:31.9

Linear Drawing



Unit: mm

Lens (Item Code) Referenced Degree(°)θ1/2



15° 24° 36° 50°

Honeycomb Louver

