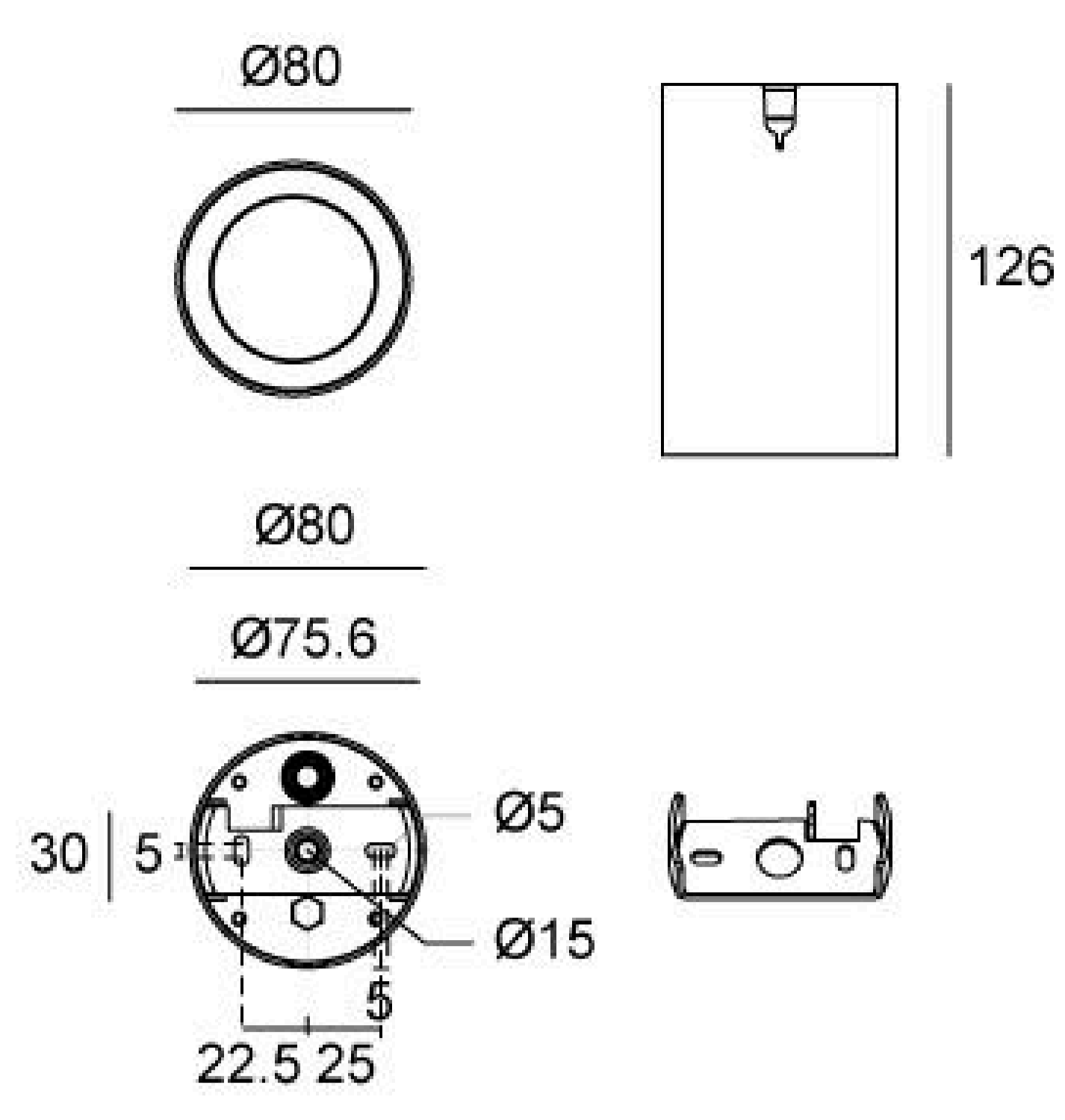


# 08ZJB0129

Light Source	1x12W
Lens	B112
Selected Degree (°)θ1/2	36°
Input Voltage (V)	DC 24 AC 240
Operating Current (MA)	24V=540 240V=59
Consumption (W)	24V=13 240V=13.2
Luminance (LM)	240V=1371
IK	08

## Linear Drawing



Unit: mm

## Specification

Housing	12# Die-casting aluminum powder painting
Painting	Powder coating, T= 60~80 μm. Adhesion of ISO class 1/ASTM class 4B
Lens	OPTICS reflector. efficiency≥85%
LED Type	COB
Power Cable	Outside of luminaire (Without waterstopper) H05RN-F 2×1.0mm <sup>2</sup> , L=0.3m(24V) H05RN-F 3×1.0mm <sup>2</sup> , L=0.3m(240V)
Operating Temperature	-20°C~40°C

## Lens (Item Code)

## Referenced Degree(°)θ1/2



B112

15° 24° 36° 50°

## Painting Color

Primary



Sanded White  
RAL 9003

Secondary



Sanded Dark Grey  
KAP 7037

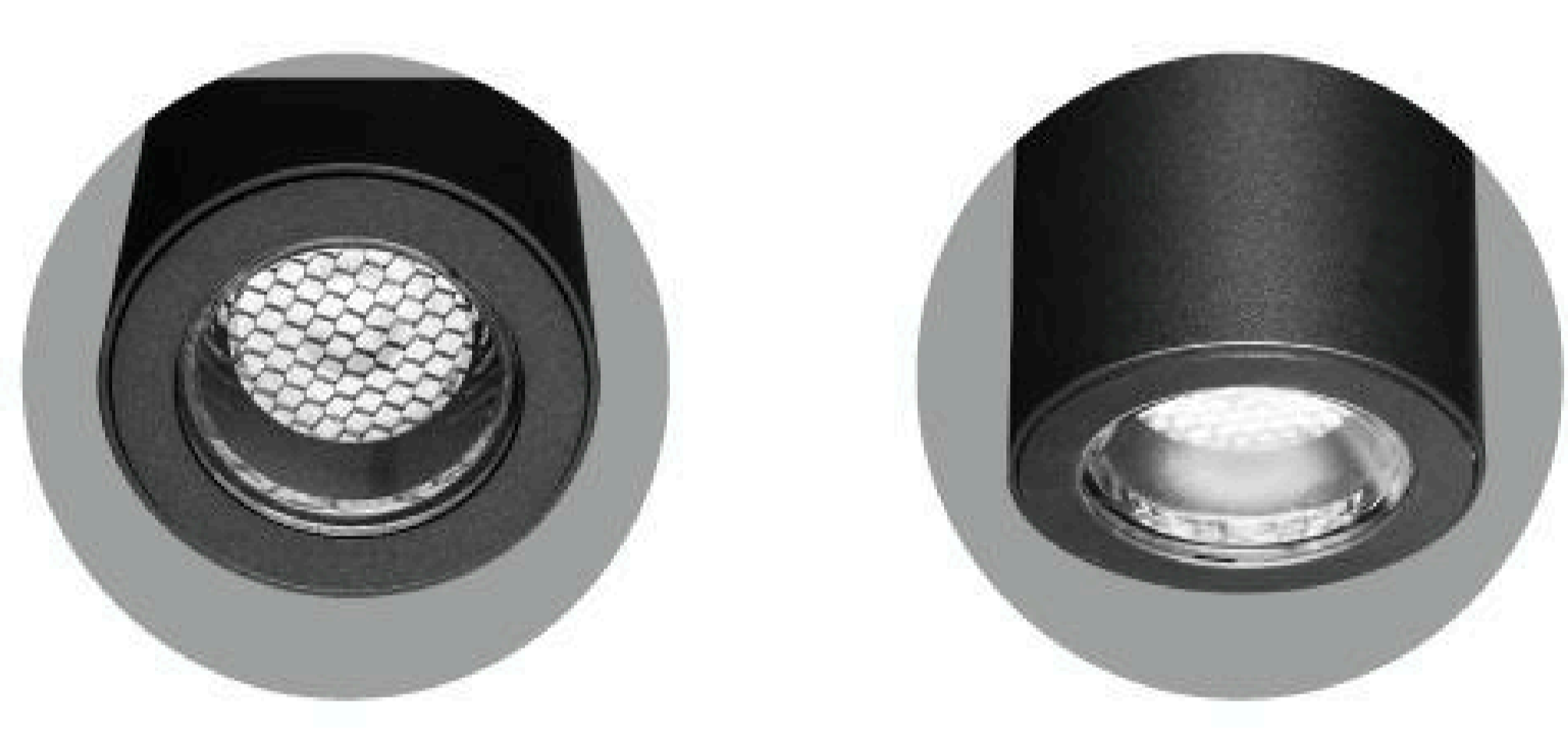


Sanded Black  
RAL 9005



Sanded Bronze  
KAP 7008

## Honeycomb Louver



## Features

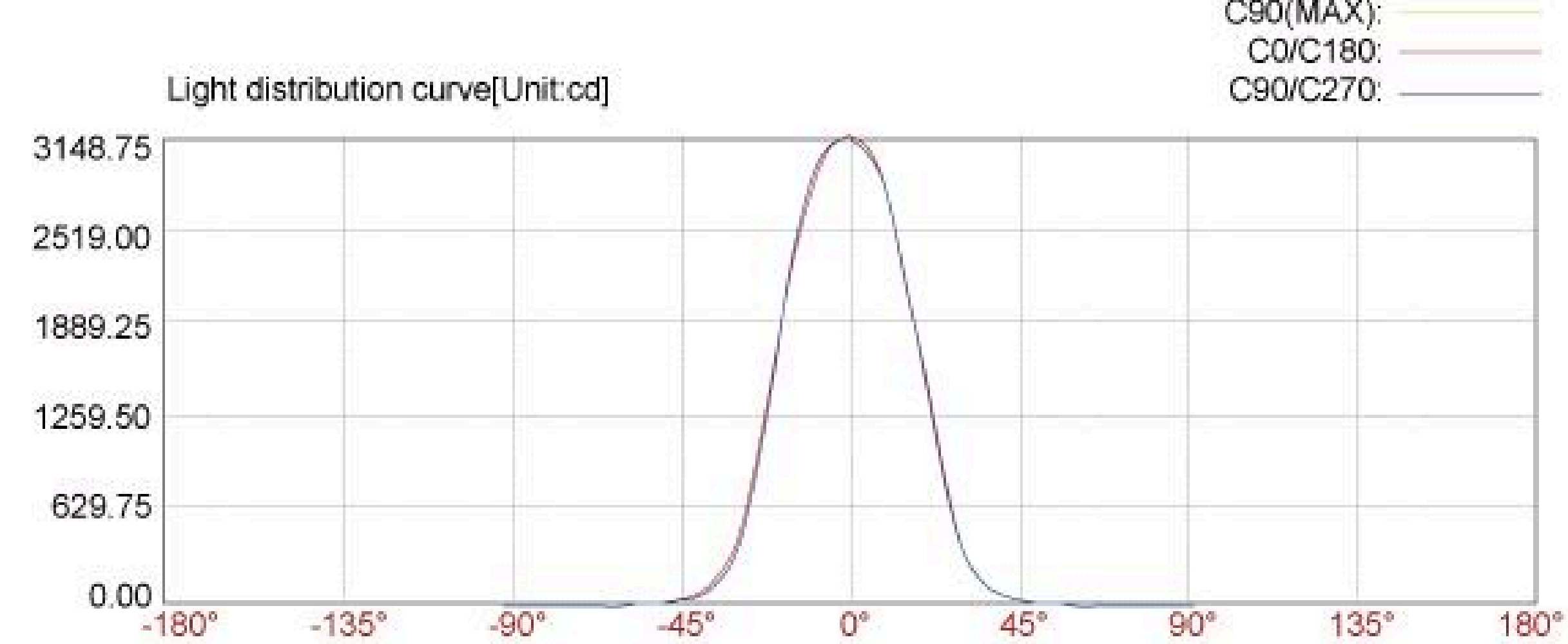
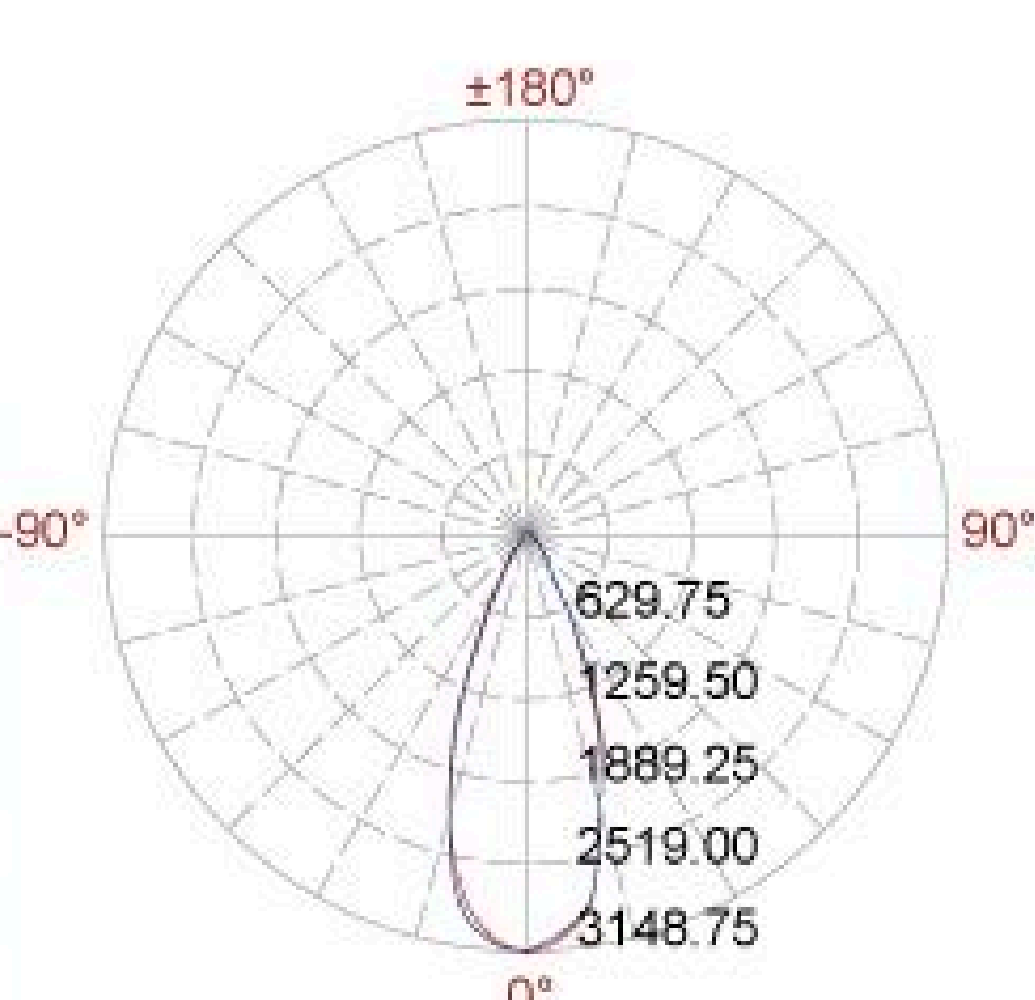


**Safety Hook**

Hook at the fixator for safer wiring, leave the hook for protection.

## Photometric

12m	21.87 LUX
11m	
10m	31.49 LUX
9m	
8m	49.20 LUX
7m	
6m	87.47 LUX
5m	
4m	196.80 LUX
3m	
2m	787.19 LUX
1m	



C90(MAX):  
C0/C180:  
C90/C270:

	Illuminance at a distance		Beam width	
	Center beam LUX	V	V	H
2m	787.19 LUX	1.4m	1.4m	
4m	196.80 LUX	2.9m	2.9m	
6m	87.47 LUX	4.3m	4.3m	
8m	49.20 LUX	5.8m	5.7m	
10m	31.49 LUX	7.2m	7.2m	
12m	21.87 LUX	8.6m	8.6m	

Ver. Spread:39.6 Horiz. Spread:39.5