

08XHB0174


Light Source	1x29W
Lens	B57
Selected Degree (°)θ1/2	60°
Input Voltage (V)	DC 24 AC 240
Operating Current (MA)	24V=1130 240V=146
Consumption (W)	24V=27 240V=31
Luminance (LM)	240V=2777
IK	08

Specification

Housing	12# Die-casting aluminum powder coated
Painting	Powder coating, T= 60~80 μm. Adhesion of ISO class 1/ASTM class 4B
Lens	OPTICS Reflector. efficiency≥85%
LED Type	COB
Power Cable	Outside of luminaire (Without waterstopper) H05RN-F 2×1.0mm ² , L=0.3m(24V) H05RN-F 3×1.0mm ² , L=0.3m(240V)
Operating Temperature	-20°C~40°C


Painting Color

Primary




Sanded Black
RAL 9005

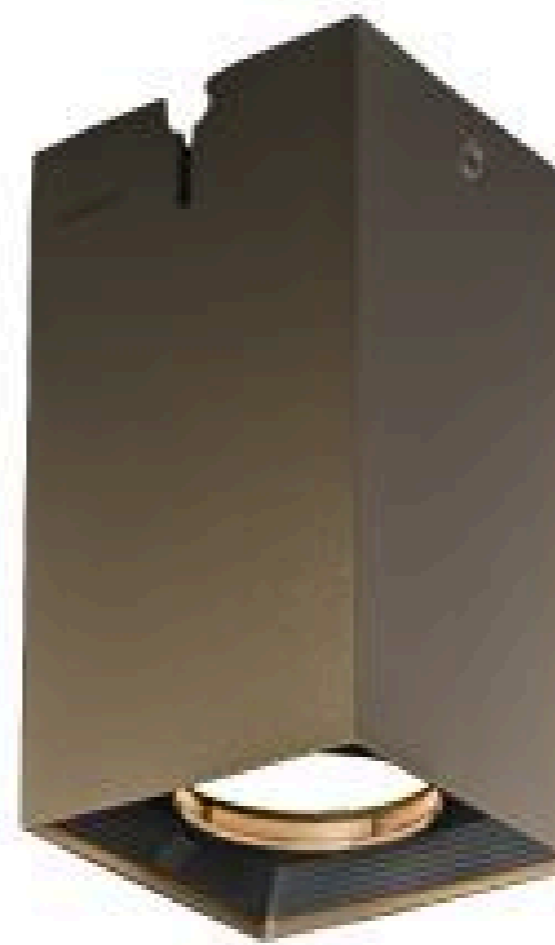
Secondary



Sanded Dark Grey
KAP 7037

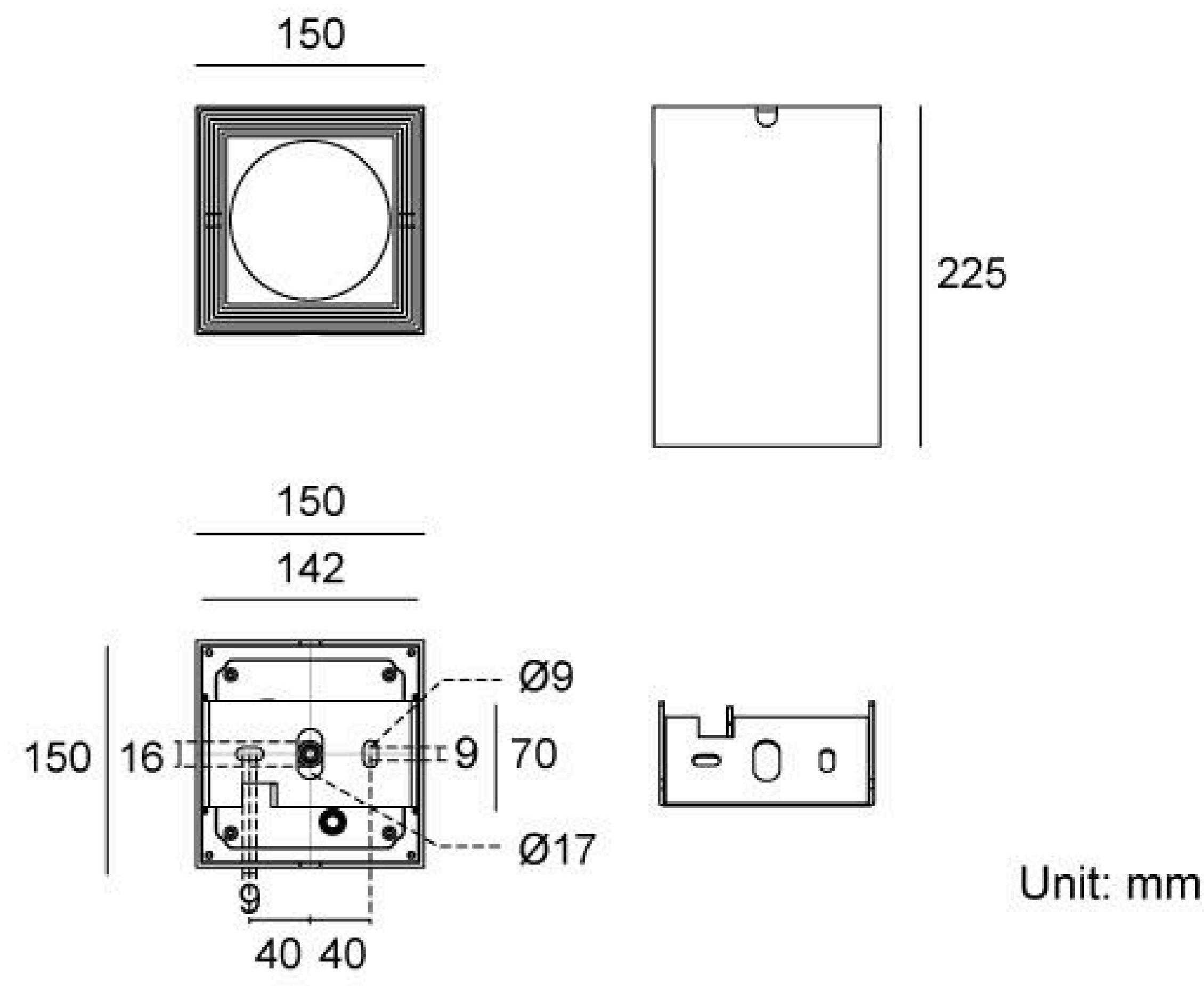


Sanded White
RAL 9003



Sanded Bronze
KAP 7008

Linear Drawing



Lens (Item Code) Referenced Degree(°)θ1/2



15° 25° 36° 45° 60°

B57

Features



Safety hook

Hook at the fixator for safer wiring, leave the hook for protection.

Photometric

