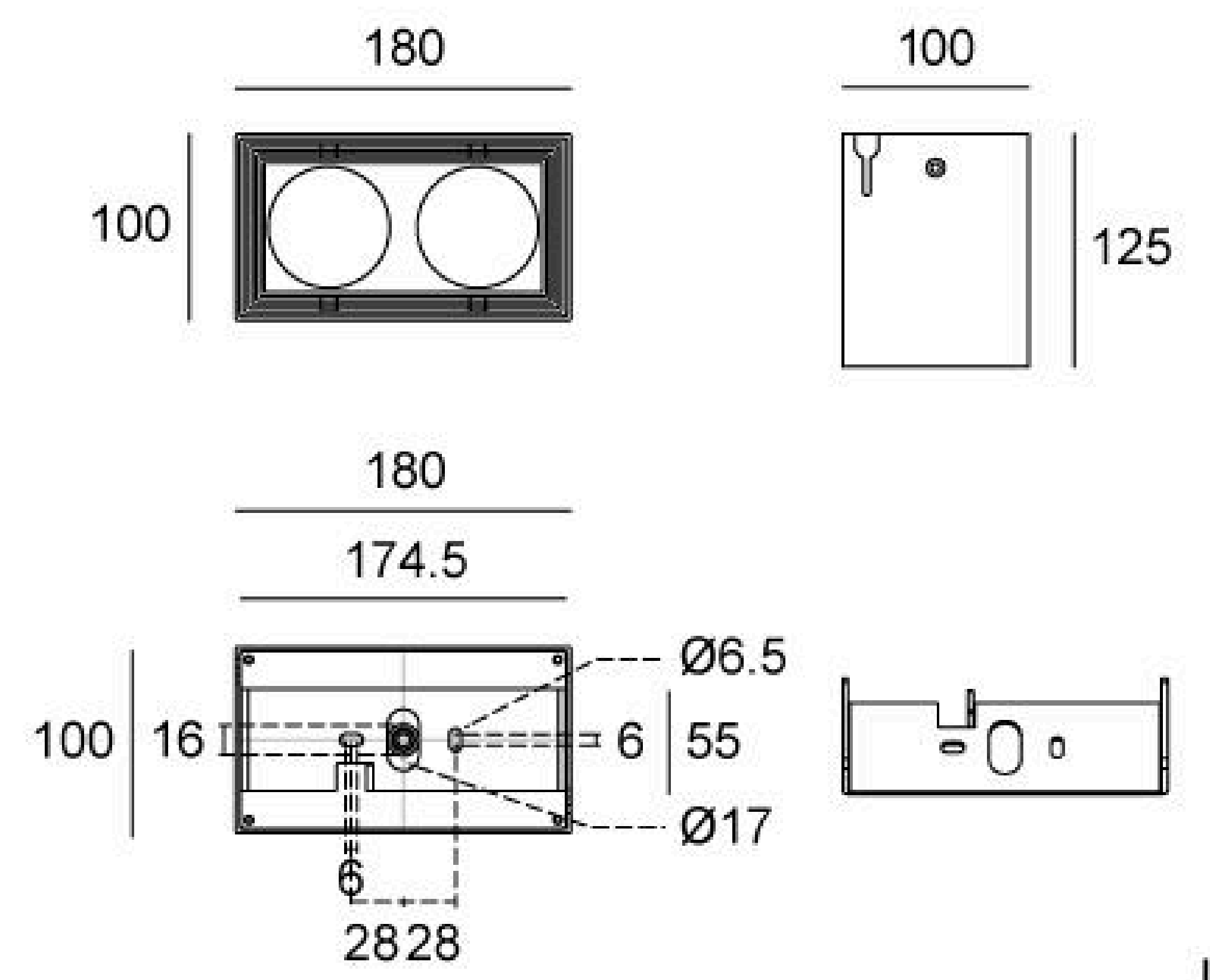


# 08WJB0270

Light Source	2x18W
Lens	B66
Selected Degree (°)θ1/2	25°
Input Voltage (V)	DC 24 AC 240
Operating Current (MA)	24V=1600 240V=166
Consumption (W)	24V=38 240V=39
Luminance (LM)	WW=4308
IK	08

## Linear Drawing



Unit: mm

## Specification

Housing Material	12# Die-casting aluminum finishing or powder painting T= 60~80 μm.Adhesion of ISO class 1/ASTM class 4B
Light Window	PC=3mm
Lens	OPTICS Reflector. efficiency≥85%
Cable Gland	Copper with nickel coated
LED Type	COB
Power Cable	Outside of luminaire (Without waterstopper) H05RN-F 2×1.0mm <sup>2</sup> , L=0.3m(24V) H05RN-F 3×1.0mm <sup>2</sup> , L=0.3m(240V)
Operating Temperature	-20°C~40°C

## Lens (Item Code)

Referenced Degree(°)θ1/2



B66

15° 20° 25° 38° 55°

## Painting Color

## Optional (Accessories)

### Primary



Sanded White  
RAL 9003

### Secondary

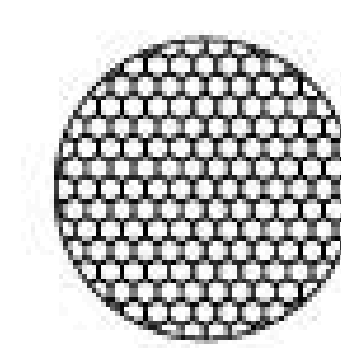


Sanded Black  
RAL 9005



Sanded Dark Grey  
KAP 7037

### Honeycomb Louver



Mh109

## Features



### Safety Hook

Hook at the fixator for safer wiring, leave the hook for protection.

## Photometric

