

08WHB0170

Light Source	1x18W
Lens	B113
Selected Degree (°)θ1/2	50°
Input Voltage (V)	DC 24 AC 120 240
Operating Current (MA)	24V=800 120V=178 240V=90
Consumption (W)	24V=19.2 120V=20 240V=20
Luminance (LM)	240V=2098
IK	08

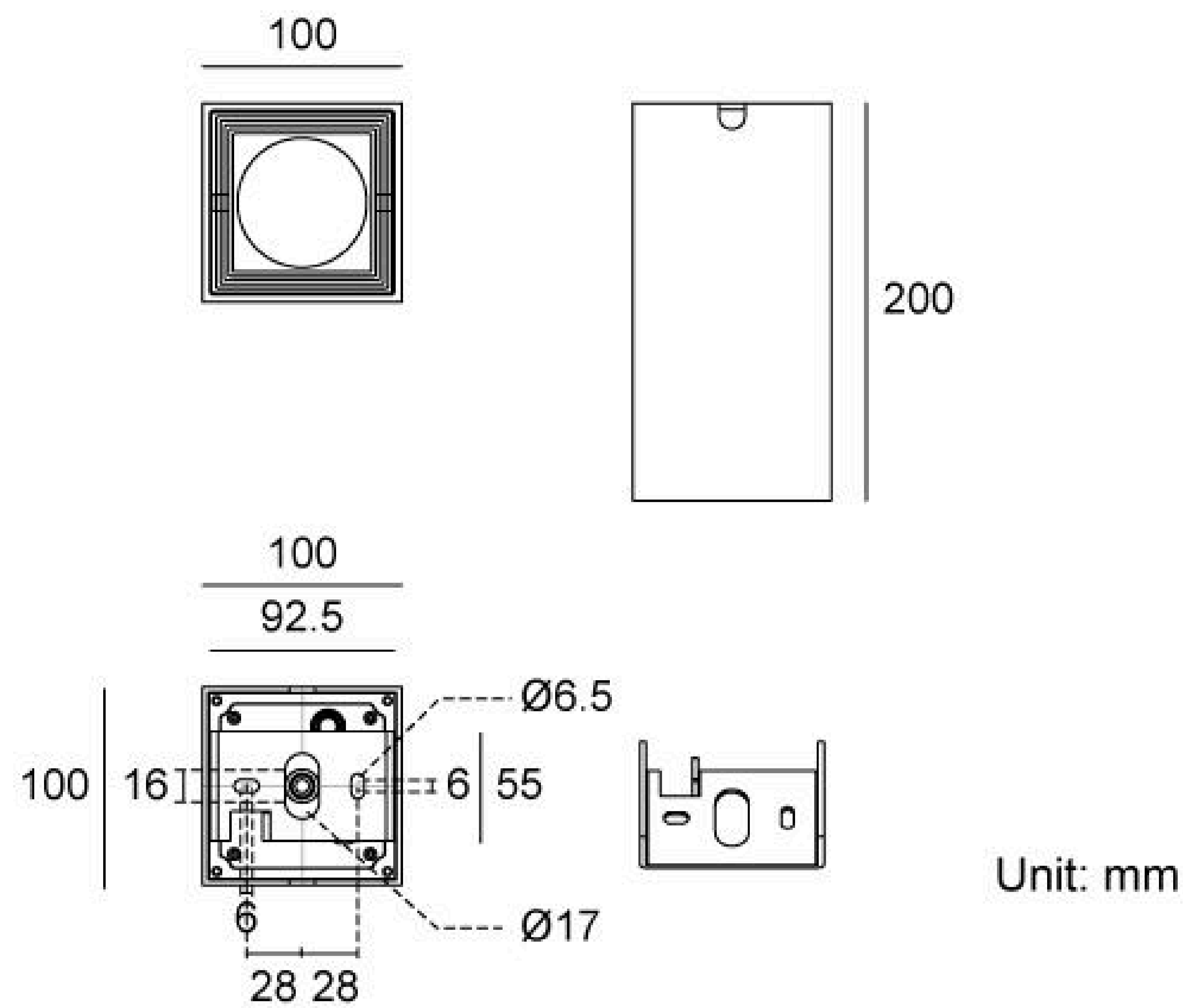
Specification

Housing	12# Die-casting aluminum powder coated
Painting	Powder coating, T= 60~80 μm. Adhesion of ISO class 1/ASTM class 4B
Lens	OPTICS reflector. efficiency≥85%
LED Type	COB
Power Cable	Outside of luminaire (Without waterstopper) H05RN-F 2×1.0mm ² , L=0.3m(24V) H05RN-F 3×1.0mm ² , L=0.3m(120V/240V)
Operating Temperature	-20°C~40°C

Painting Color



Linear Drawing



Lens (Item Code) Referenced Degree(°)θ1/2



15° 24° 36° 50°

Features



Photometric

