

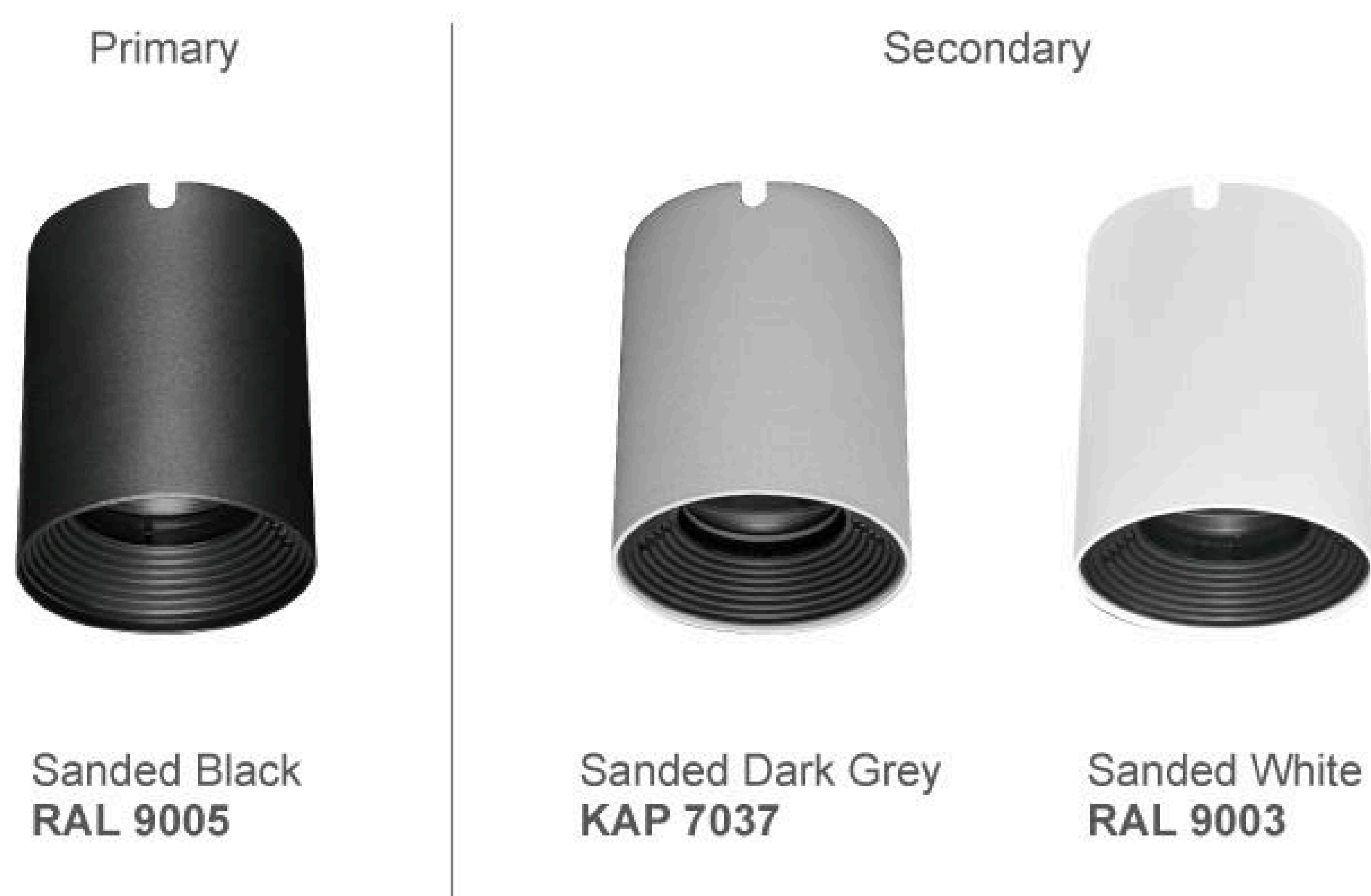
08FJB0173

Light Source	1x25W
Lens	B66
Selected Degree (°)θ1/2	55°
Input Voltage (V)	DC 24 AC 240
Operating Current (MA)	24V=1166 240V=119
Consumption (W)	24V=28 240V=28
Luminance (LM)	240V=2792
IK	06

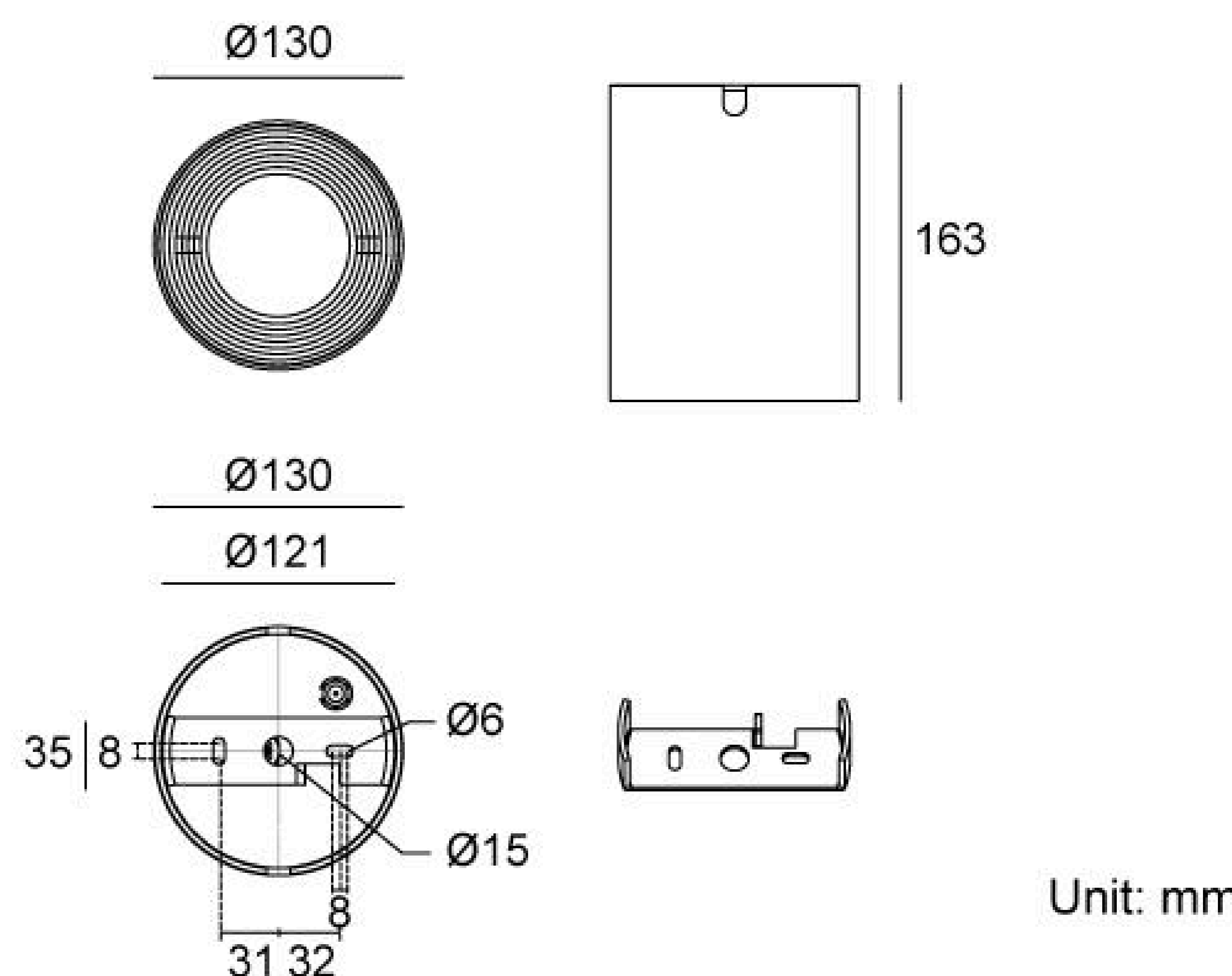
Specification

Housing	12# Die-casting aluminum powder painting
Painting	Powder coating, T= 60~80 μm. Adhesion of ISO class 1/ASTM class 4B
Lens	OPTICS Reflector. efficiency≥85%
LED Type	COB
Power Cable	Outside of luminaire (Without waterstopper) H05RN-F 2×1.0mm ² , L=0.3m(24V) H05RN-F 3×1.0mm ² , L=0.3m(240V)
Operating Temperature	-20°C~40°C

Painting Color



Linear Drawing



Unit: mm

Lens (Item Code) Referenced Degree(°)θ1/2



B66

15° 20° 25° 38° 55°

Optional (Accessories)

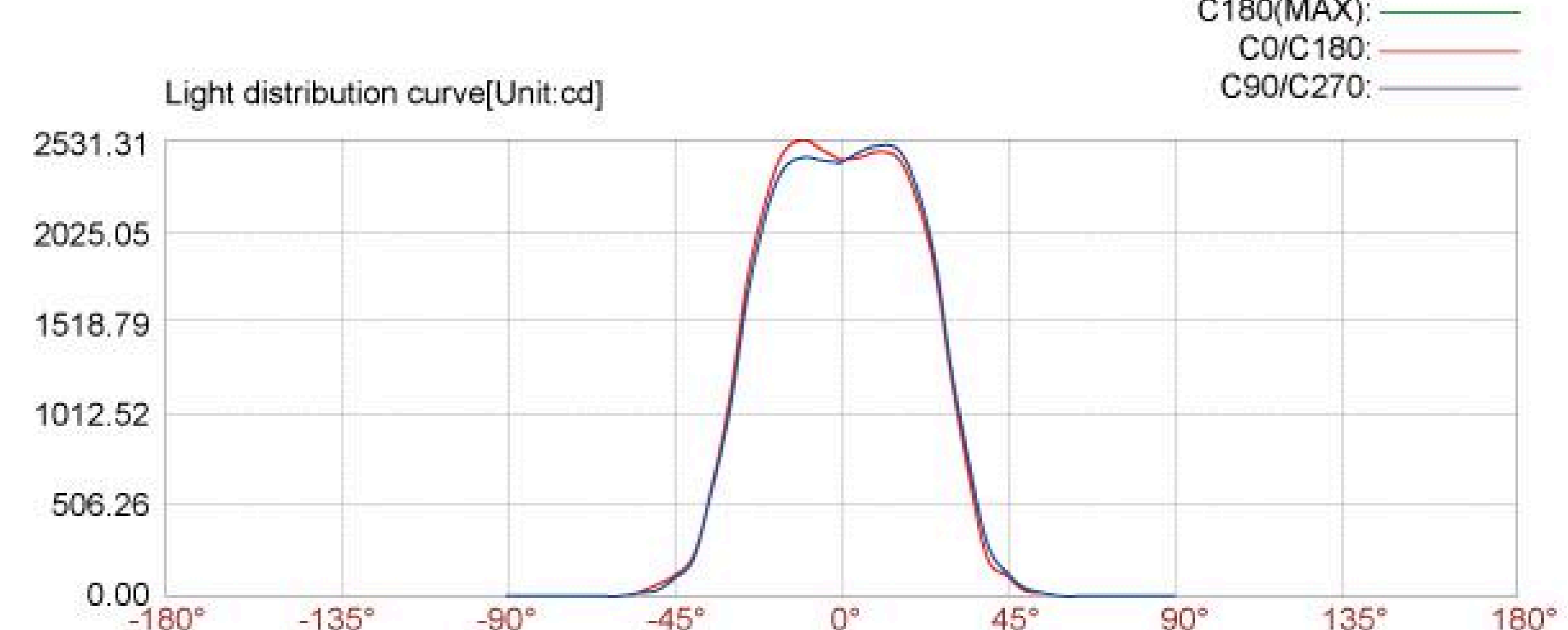
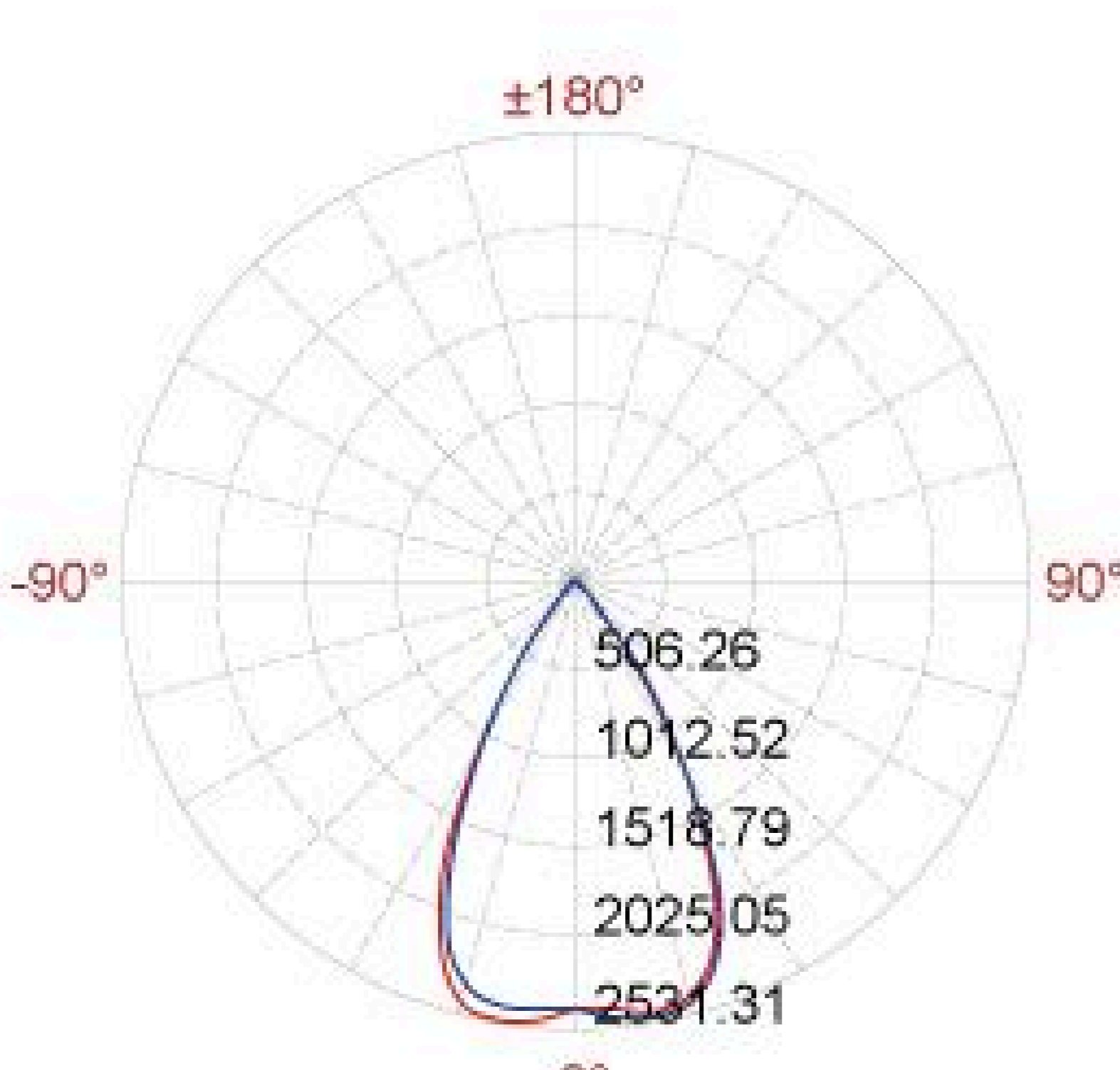
Honeycomb Louver



Mh074

Photometric

12m	16.80 LUX
11m	
10m	24.20 LUX
9m	
8m	37.81 LUX
7m	
6m	67.22 LUX
5m	
4m	151.24 LUX
3m	
2m	604.98 LUX
1m	



Illuminance at a distance			
Center beam LUX	Beam width V	Beam width H	
2m	604.98 LUX	2.2m	2.1m
4m	151.24 LUX	4.4m	4.3m
6m	67.22 LUX	6.6m	6.4m
8m	37.81 LUX	8.8m	8.5m
10m	24.20 LUX	11.0m	10.6m
12m	16.80 LUX	13.1m	12.8m

Ver. Spread: 57.5 Horiz. Spread: 56.1