

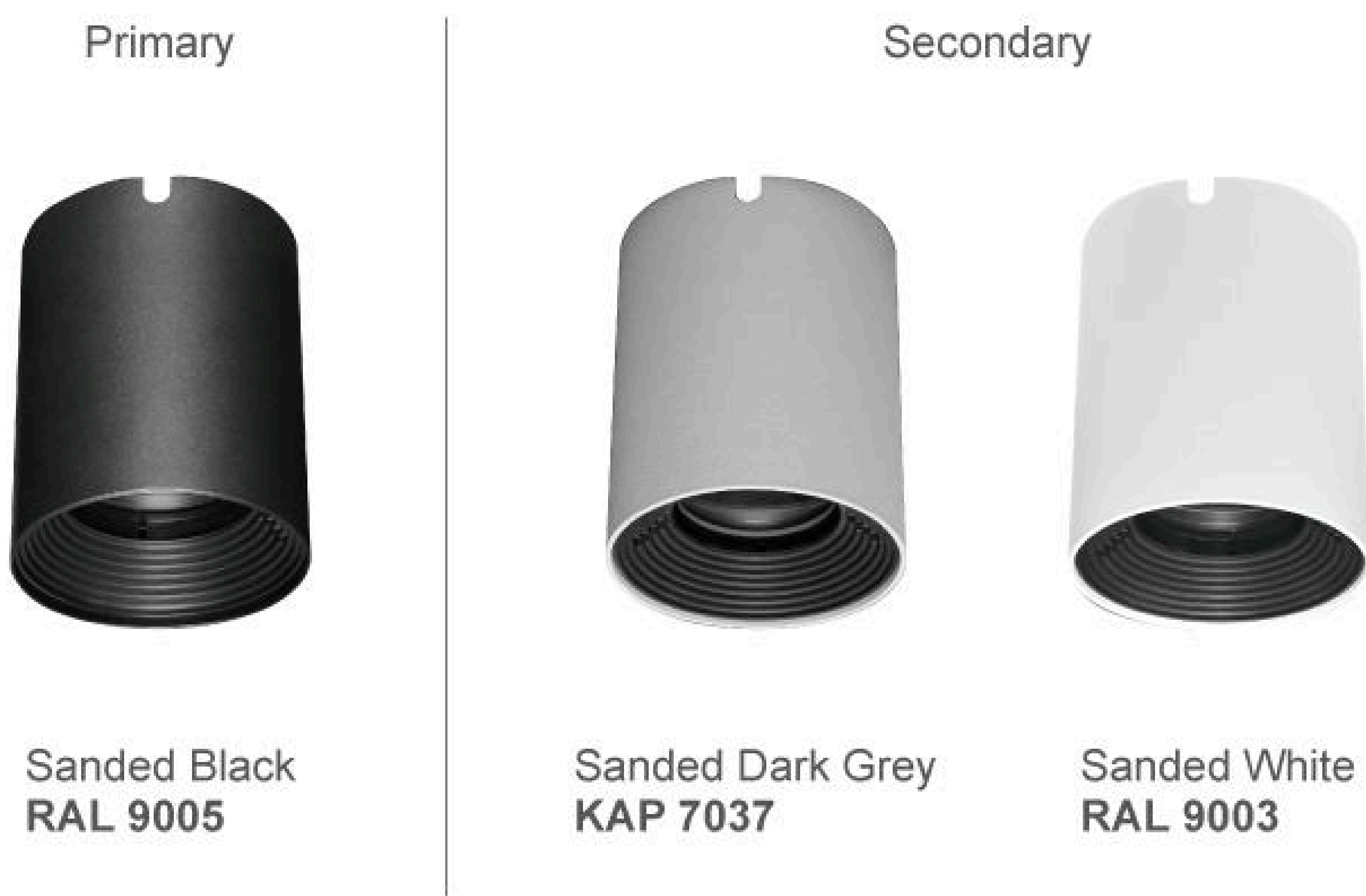
# 08ERB0178

Light Source	1x48W
Lens	B57
Selected Degree (°)θ1/2	60°
Input Voltage (V)	AC 240
Operating Current (MA)	240V=216
Consumption (W)	240V=50
Luminance (LM)	240V=4482
IK	06

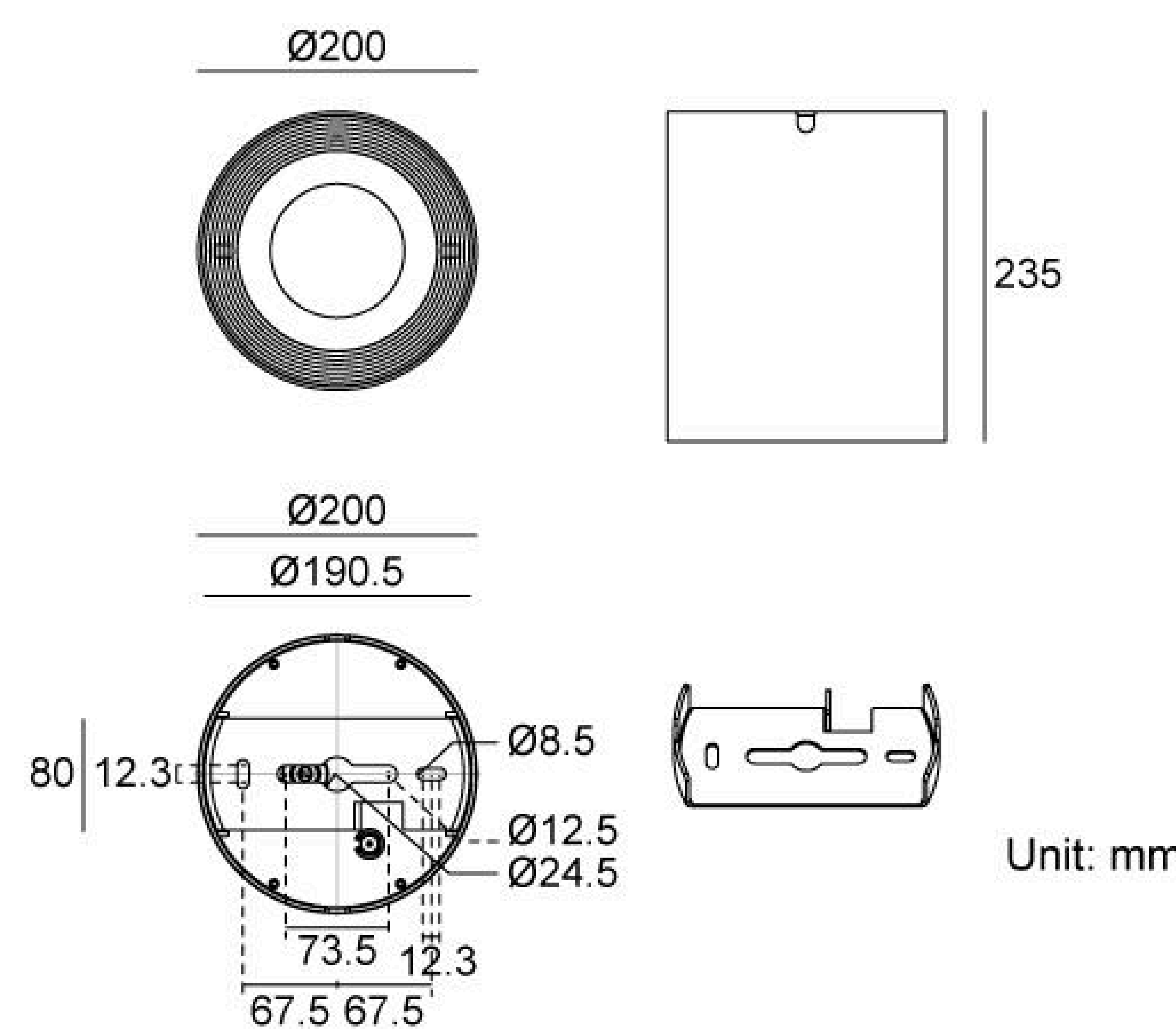
## Specification

Housing	Extruded aluminum alloy #6063
Painting	Powder coating, T= 60~80 μm. Adhesion of ISO class 1/ASTM class 4B
Lens	OPTICS Reflector. efficiency≥85%
LED Type	COB
Power Cable	Outside of luminaire (Without waterstopper) H05RN-F 3×1.0mm <sup>2</sup> , L=0.3m(240V)
Operating Temperature	-20°C~40°C

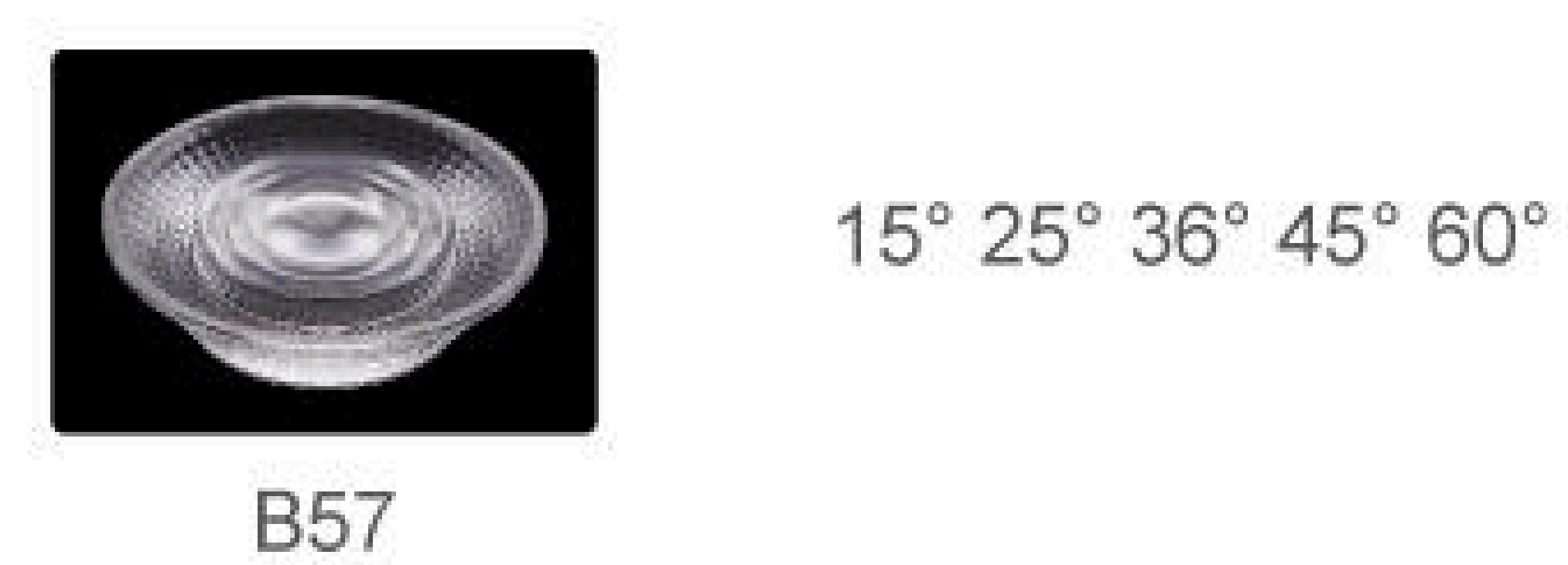
## Painting Color



## Linear Drawing



## Lens (Item Code) Referenced Degree(°)θ1/2



## Optional (Accessories)



## Photometric

