

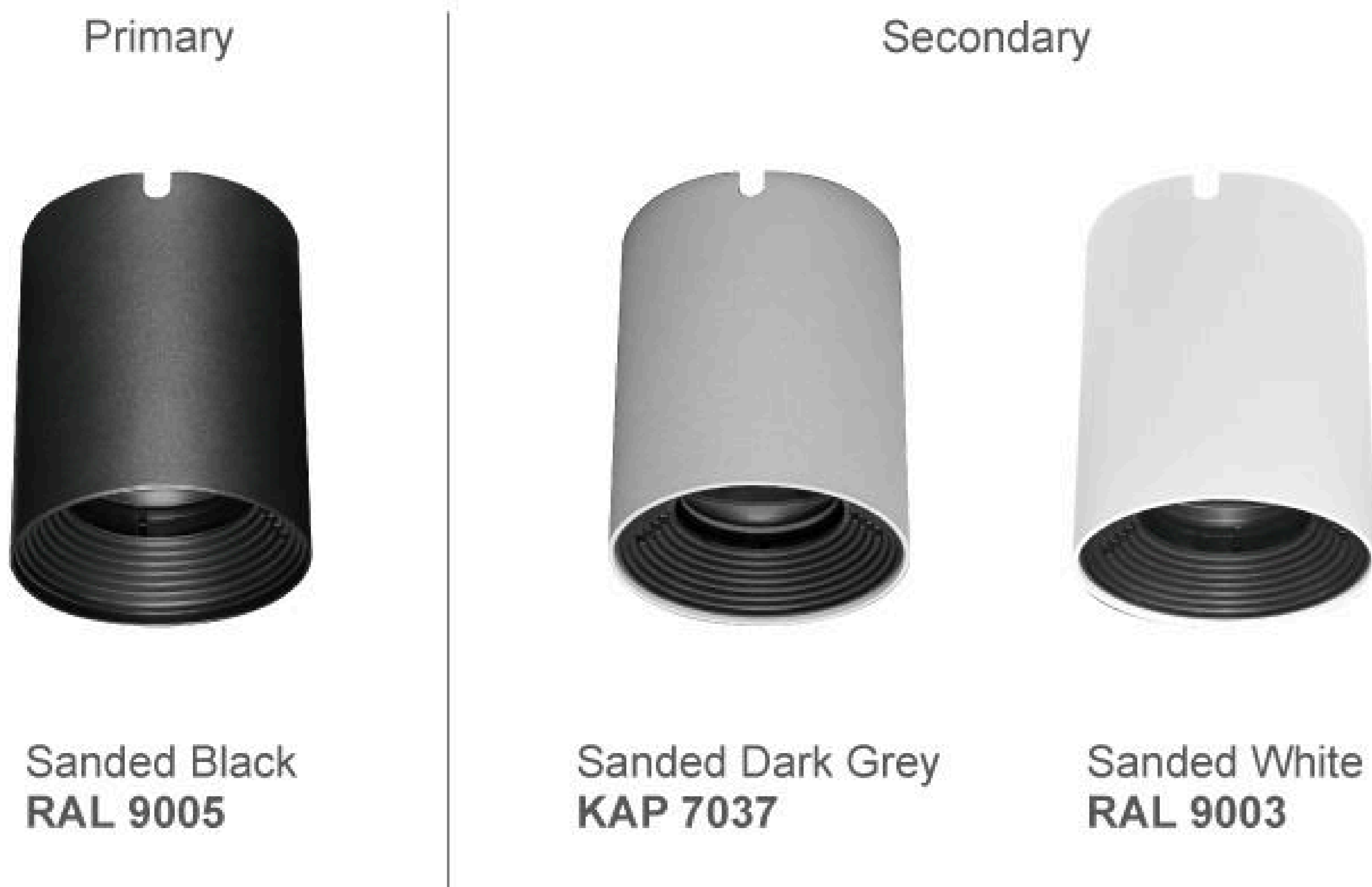
08EKB0174

Light Source	1x30W		
Lens	B57		
Selected Degree (°)θ1/2	60°		
Input Voltage (V)	DC 24 AC 120 240		
Operating Current (MA)	24V=1333	120V=286	240V=151
Consumption (W)	24V=32	120V=34.5	240V=34.2
Luminance (LM)	240V=2851		
IK	06		

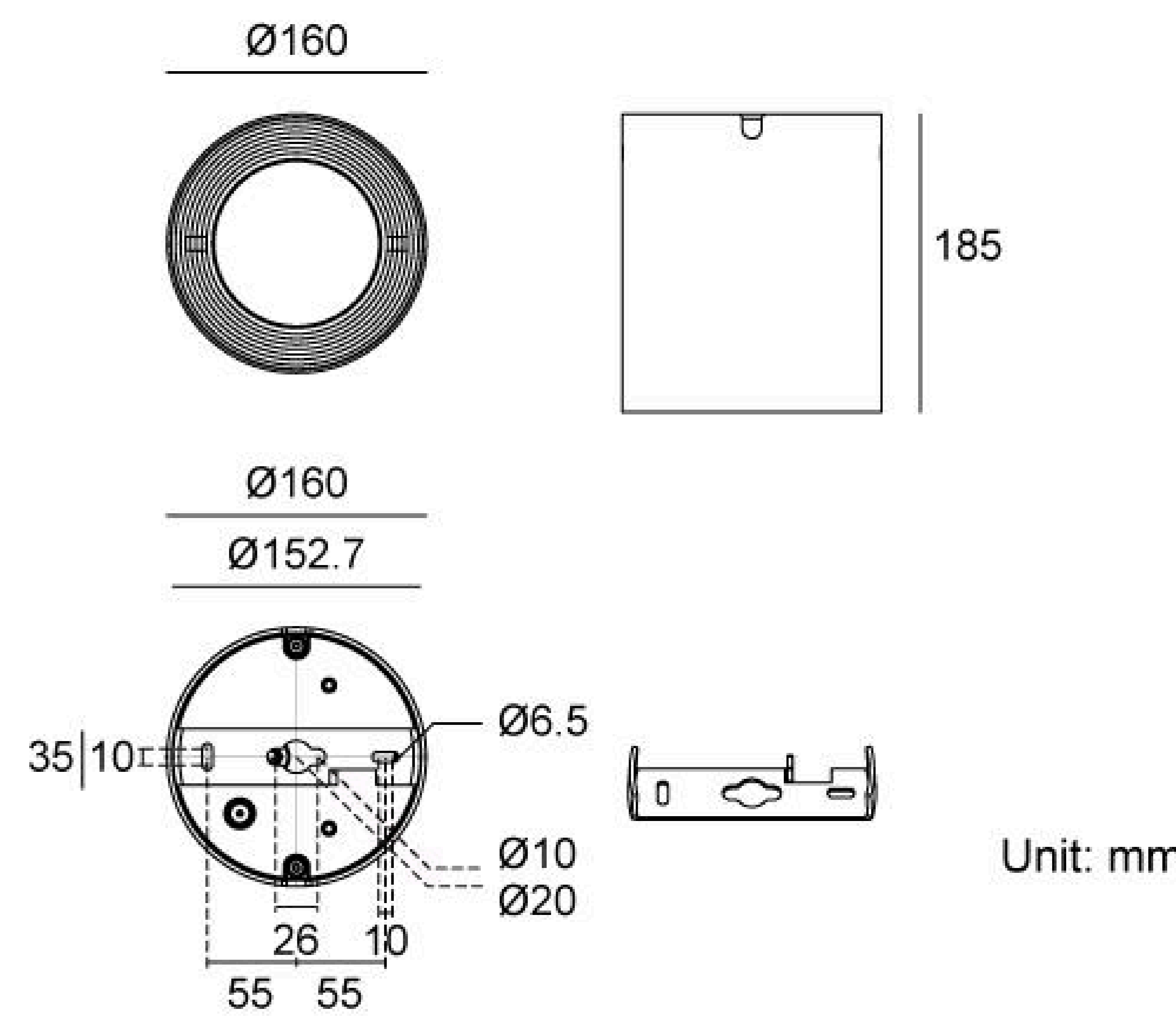
Specification

Housing	Extruded aluminum alloy #6063
Painting	Powder coating, T= 60~80 μm. Adhesion of ISO class 1/ASTM class 4B
Lens	OPTICS Reflector. efficiency≥85%
LED Type	COB
Power Cable	Outside of luminaire (Without waterstopper) H05RN-F 2×1.0mm ² , L=0.3m(24V) H05RN-F 3×1.0mm ² , L=0.3m(120V/240V)
Operating Temperature	-20°C~40°C

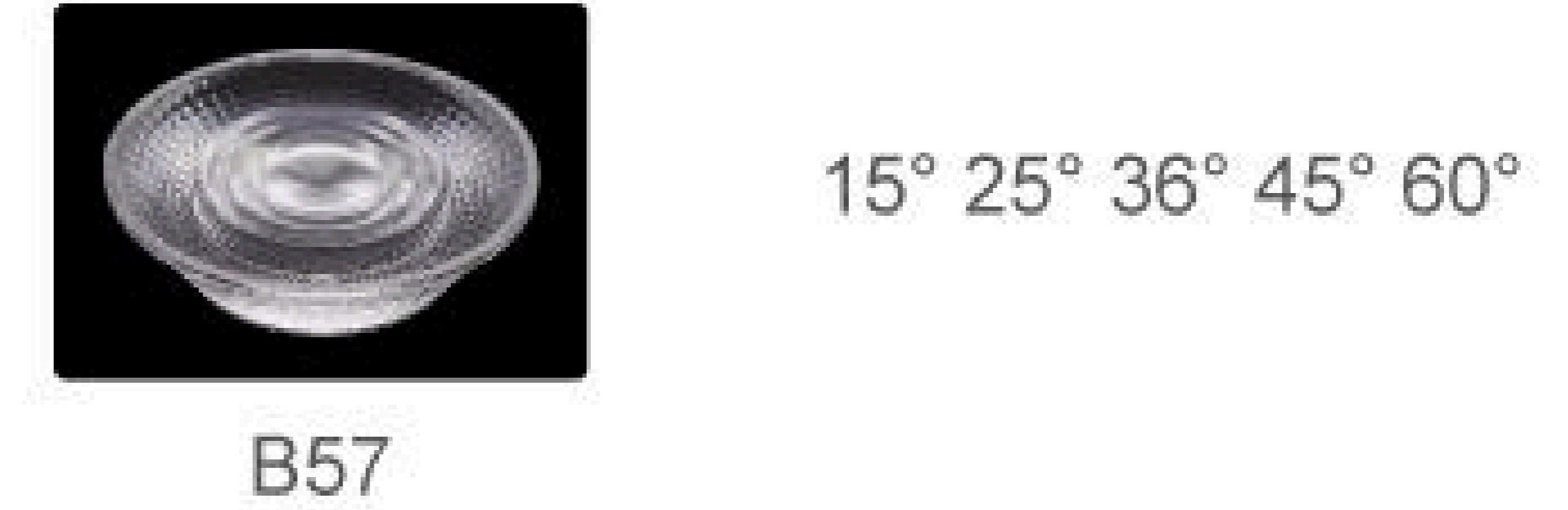
Painting Color



Linear Drawing



Lens (Item Code) Referenced Degree(°)θ1/2



Optional (Accessories)

Photometric

