

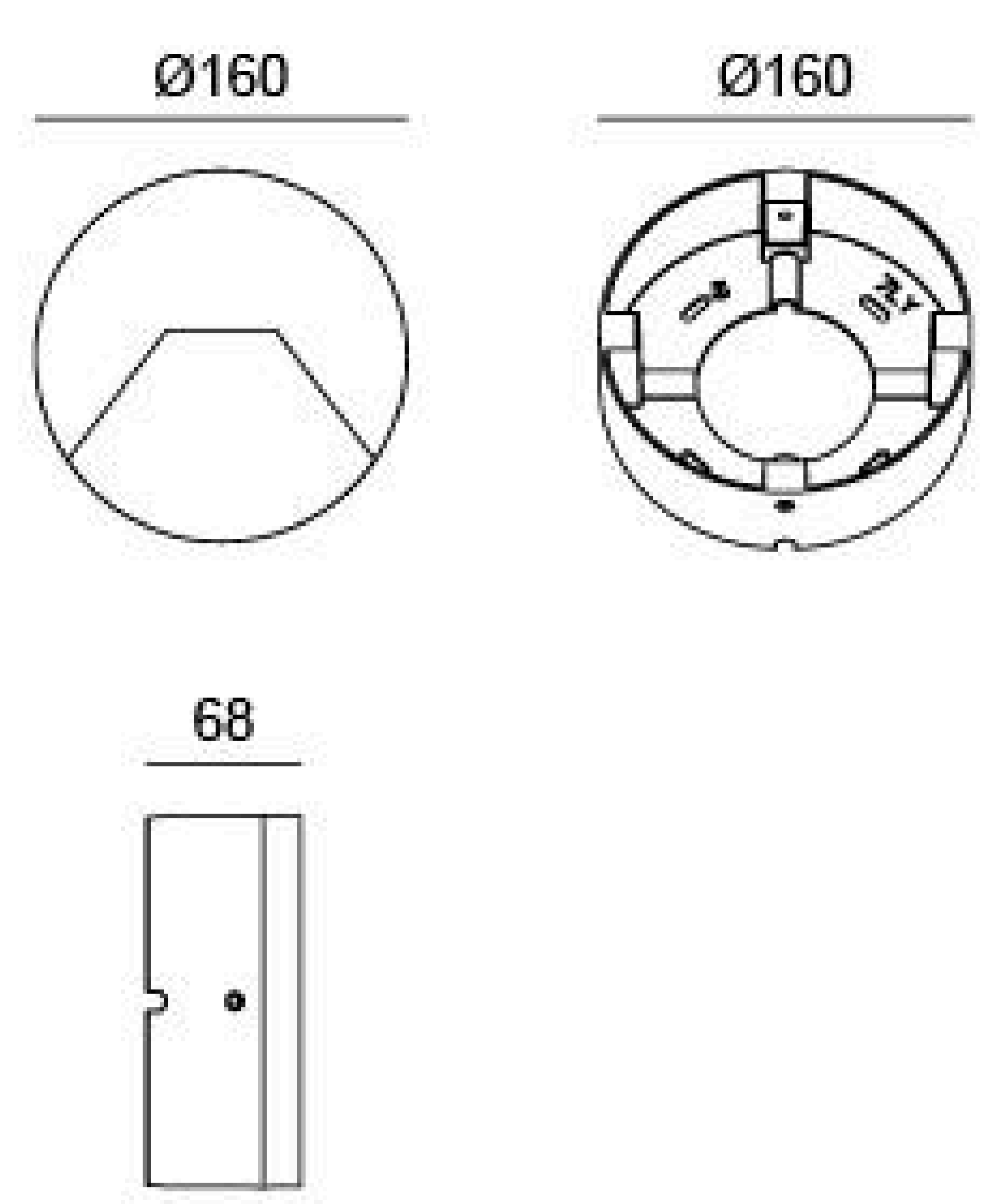
07LYD1234

Light Source	12x0.5W
Lens	N/A
Selected Degree (°)θ1/2	N/A
Input Voltage (V)	DC 24 AC 240
Operating Current (MA)	24V=250 240V=45
Consumption (W)	24V/240V=6
Luminance (LM)	WW=134
IK	09

Specification

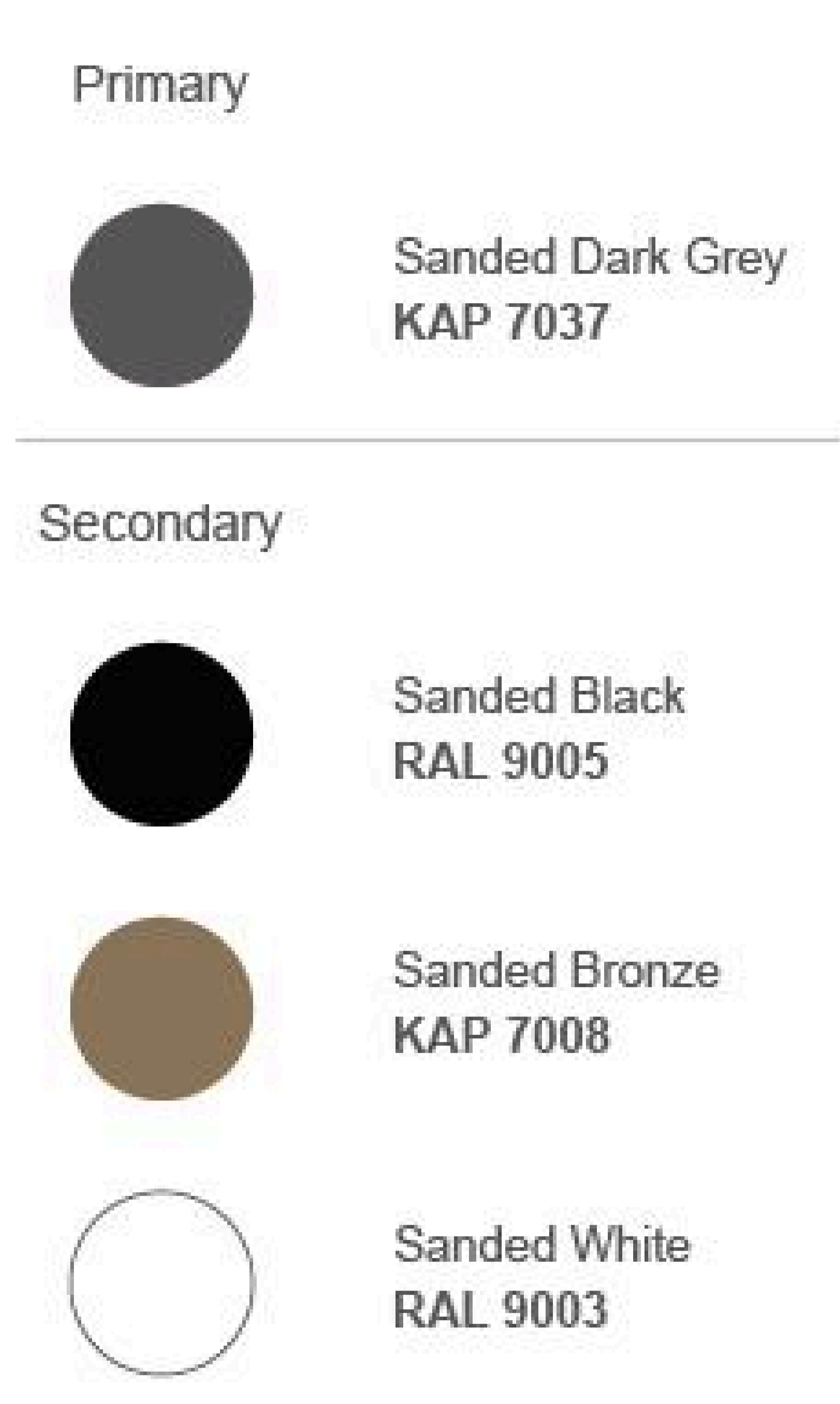
Housing & Mounting Base	12# Die-casting aluminum finishing or powder coated painting. T=60-80µm. Adhesion of ISO class 1/ASTM class 4B
Light Window	UVstop & Fireproof PC T=2.5mm
Gasket	Waterproof silicone gasket
LED Type	SMD
Driver	Built in on/off driver
Sleeve	ADC
Operating Temperature	-20°C~40°C
Power Cable	Outside of luminaire (Without waterstopper) 24V: H05RN-F 2×1.0mm², L=0.3m 240V: H05RN-F 3×1.0mm², L=0.3m

Linear Drawing



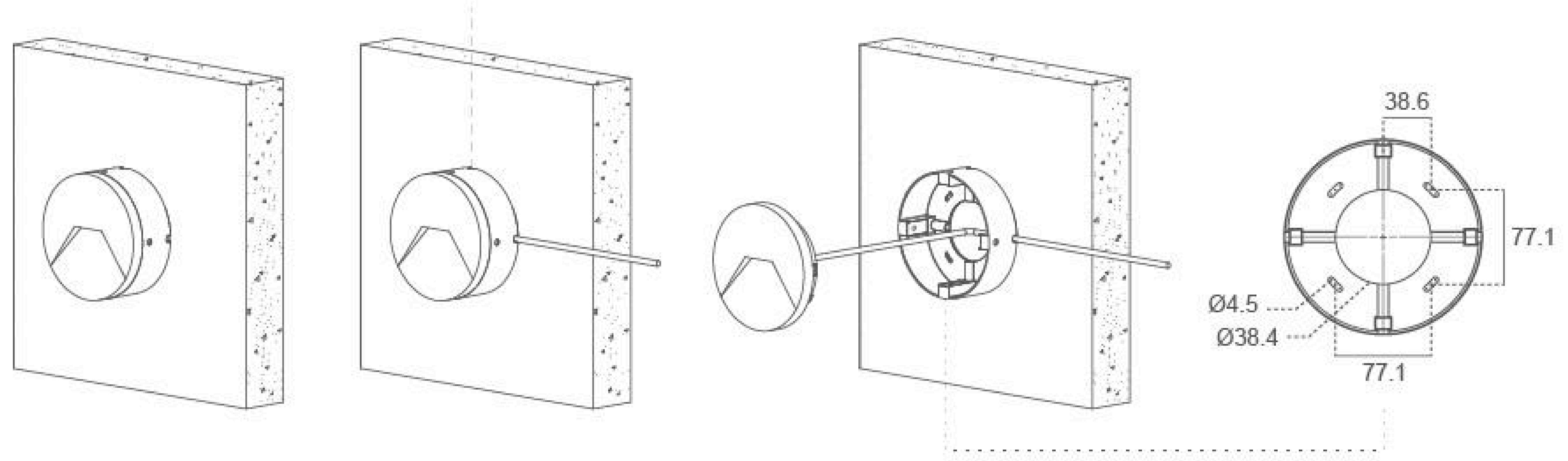
Unit: mm

Painting Color

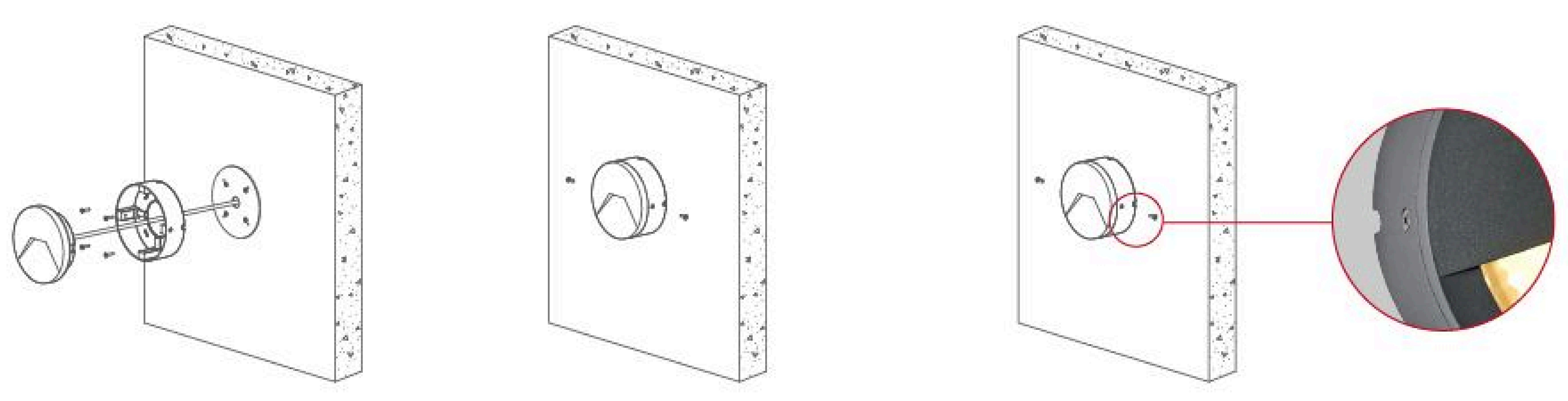


Wiring Options

Side Wiring



Back Wiring



Features

Photometric

