

07KWD3032

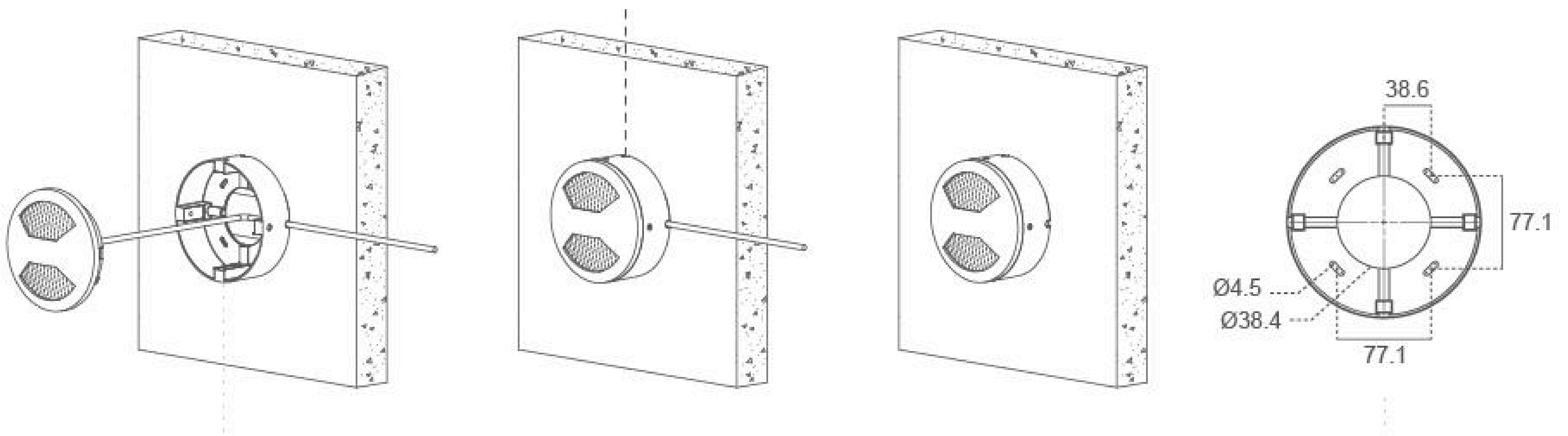
Light Source	30x0.07W
Lens	N/A
Selected Degree (°)θ1/2	N/A
Input Voltage (V)	DC 24 AC 240
Operating Current (MA)	24V=135 240V=14
Consumption (W)	24V/240V=3.2
Luminance (LM)	WW=101
IK	09

Specification

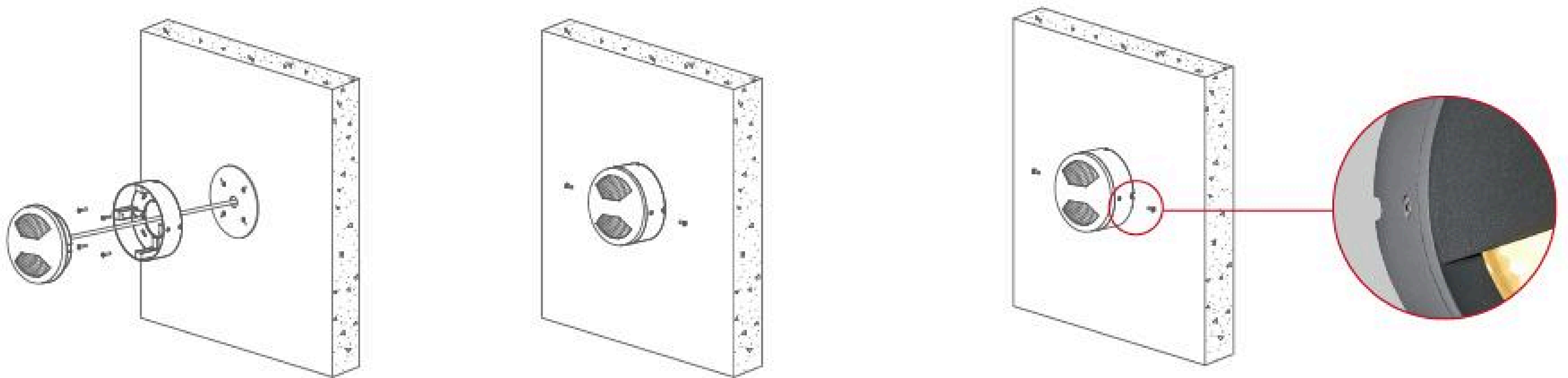
Housing & Mounting Base	12# Die-casting aluminum finishing or powder coated painting. T=60-80µm. Adhesion of ISO class 1/ASTM class 4B
Light Window	UVstop & Fireproof PC T=2.5mm
Gasket	Waterproof silicone gasket
LED Type	SMD
Driver	Built in on/off driver
Sleeve	ADC
Operating Temperature	-20°C~40°C
Power Cable	Outside of luminaire (Without waterstopper) 24V: H05RN-F 2×1.0mm², L=0.3m 240V: H05RN-F 3×1.0mm², L=0.3m

Wiring Options

Side Wiring



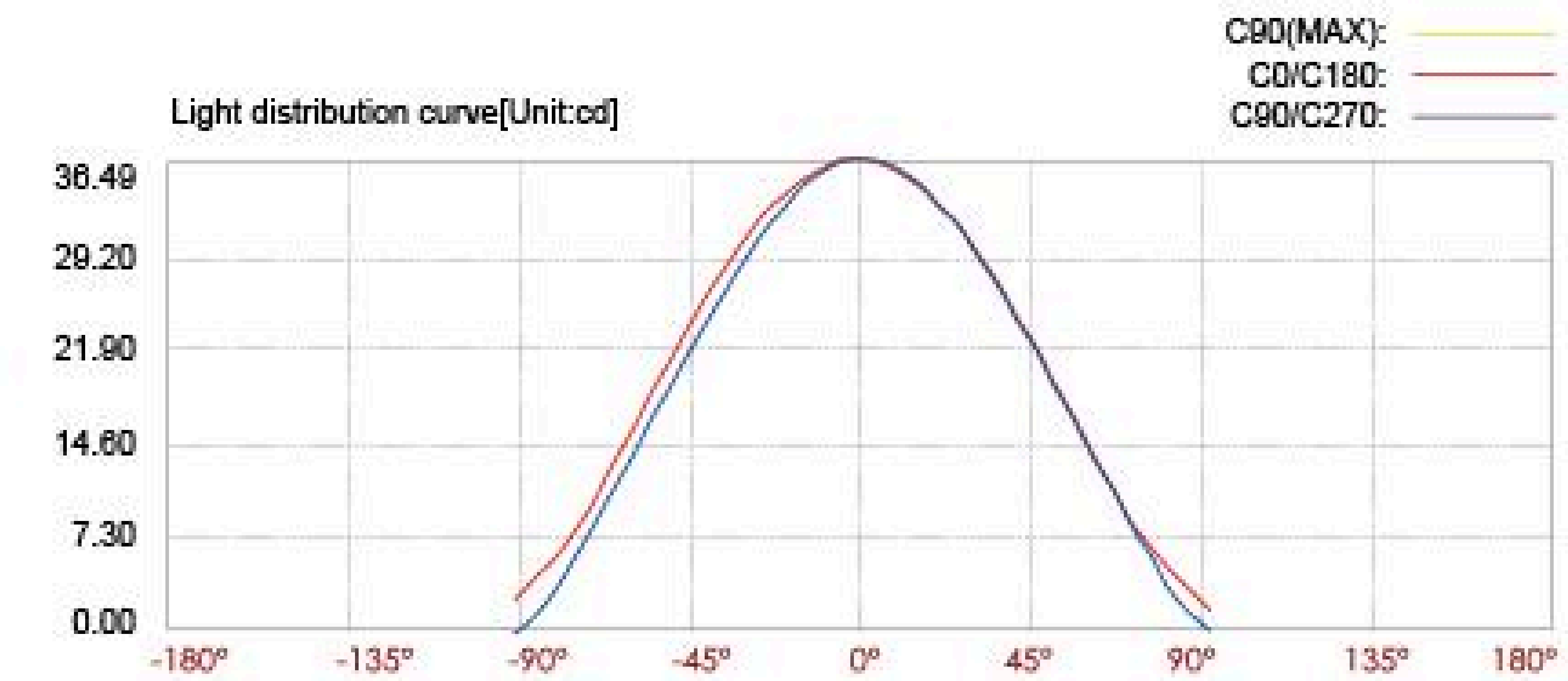
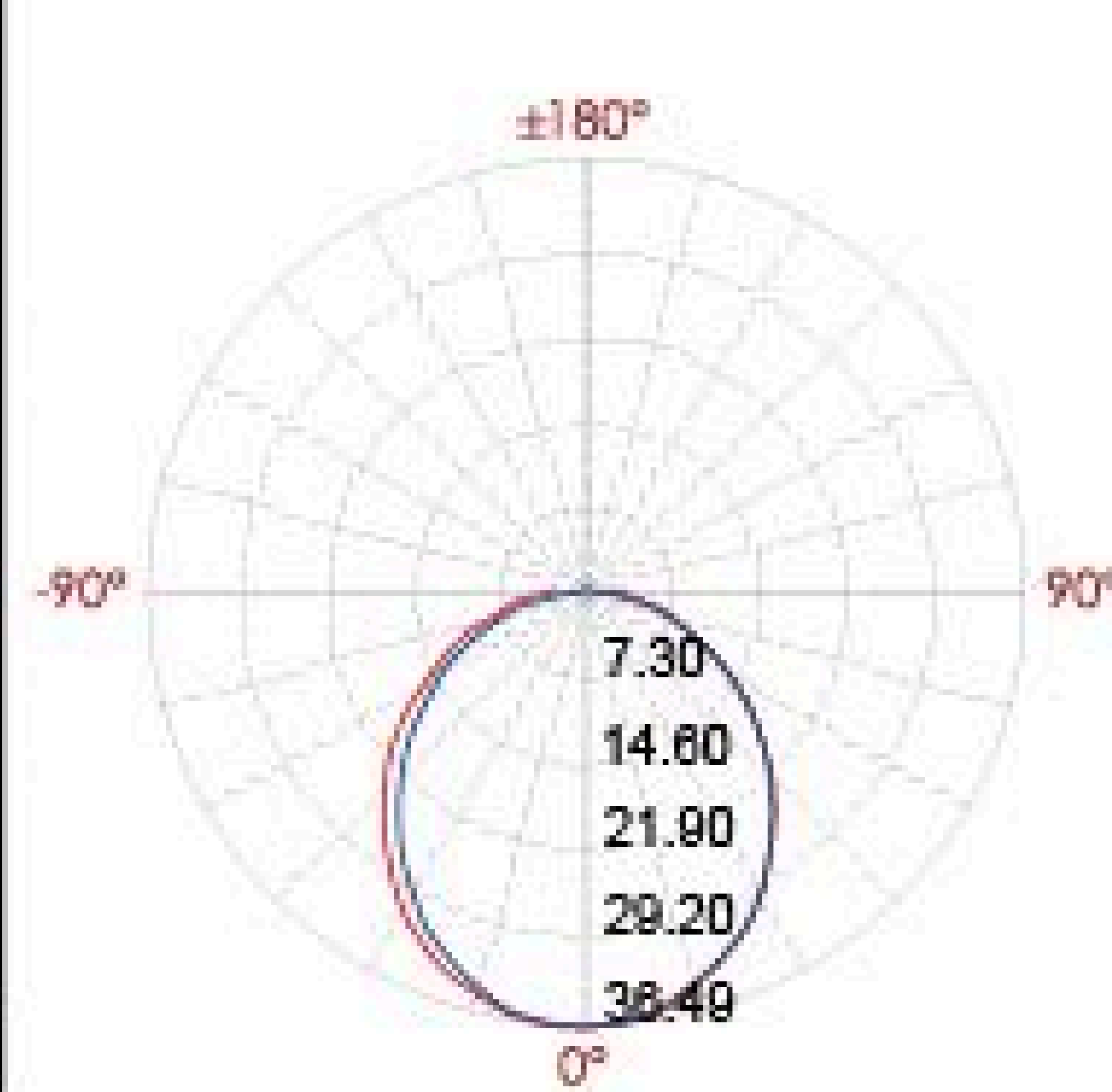
Back Wiring



Photometric

12m	0.25 LUX
11m	
10m	0.36 LUX
9m	
8m	0.57 LUX
7m	
6m	1.01 LUX
5m	
4m	2.28 LUX
3m	
2m	9.12 LUX
1m	

07KWD3032 (30x0.07W)

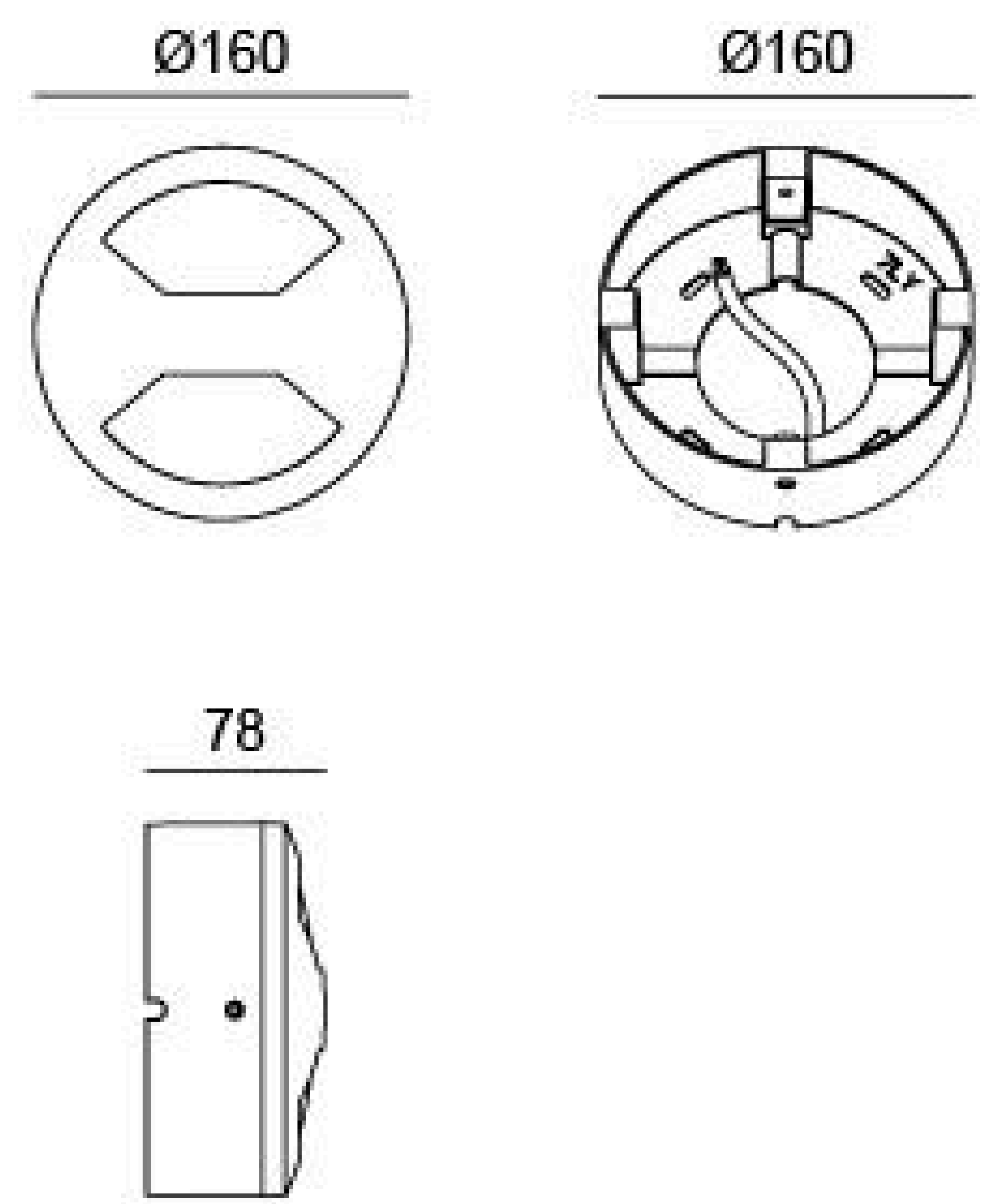


Lux distance curve

Center beam LUX	Illuminance at a distance	
	Beam width V	Beam width H
2m	5.4m	5.0m
4m	10.8m	10.0m
6m	16.2m	15.0m
8m	21.6m	20.0m
10m	27.0m	25.0m
12m	32.4m	30.0m

Ver.Spread:107.0 Horiz.Spread:102.7

Linear Drawing



Unit: mm

Painting Color

Primary



Secondary

