

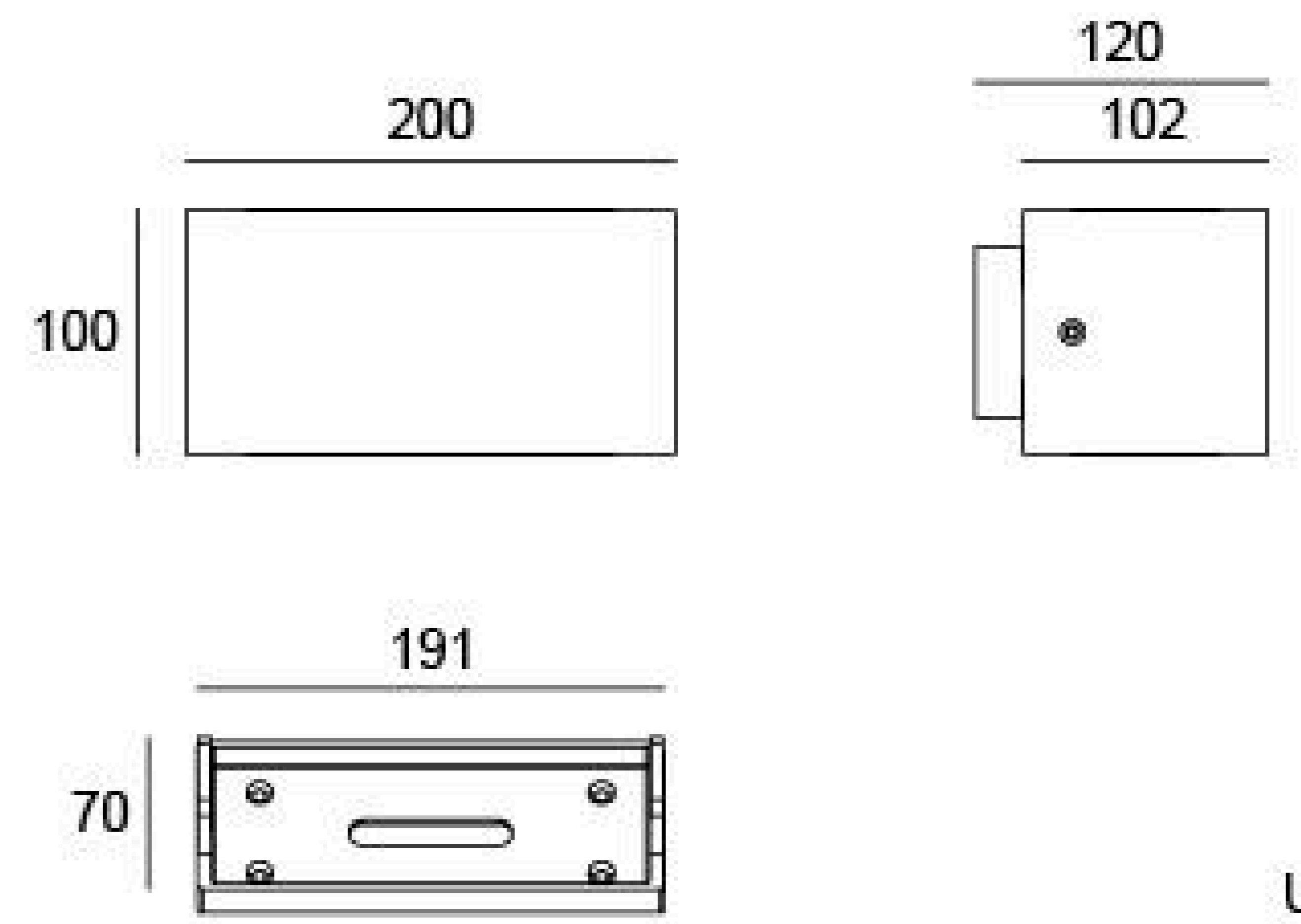
## 07EBE1ED1656 (ONE SIDE)

Light Source	16x1W
Selected Degree (°)θ1/2	92° x 88°
Input Voltage (V)	AC 240
Operating Current (MA)	240V=92
Consumption (W)	240V=20.5
Luminance (LM)	WW=1287
IK	02

### Specification

Housing	12# Die-casting aluminum powder painting T=60-80µm.Adhesion of ISO class 1/ASTM class 4B
Light Window	Tempered frosted glass T=3mm
Gasket	Waterproof silicone gasket
Driver	Built in on/off driver
LED Type	SMD
Operating Temperature	-20°C-40°C
Power Cable	Outside of luminaire (Without waterstopper) 240V: H05RN-F 3×1.0mm², L=0.3m
Dimming Support	External DALI supported TRIAC,0-10V, PWM via external driver on request

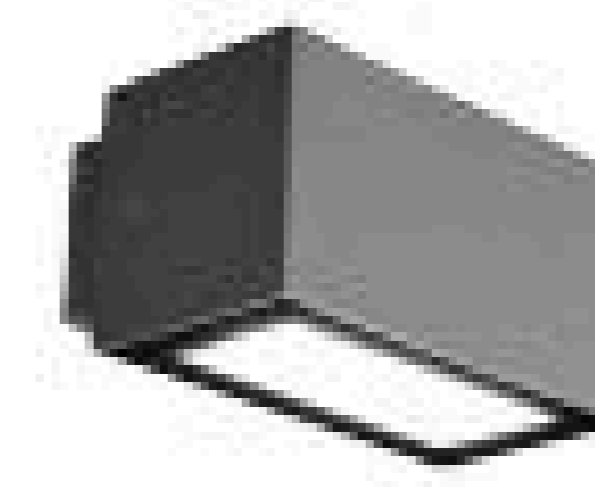
### Linear Drawing



Unit: mm

### Painting Color

#### Primary



Sanded Dark Grey  
KAP 7037

#### Secondary



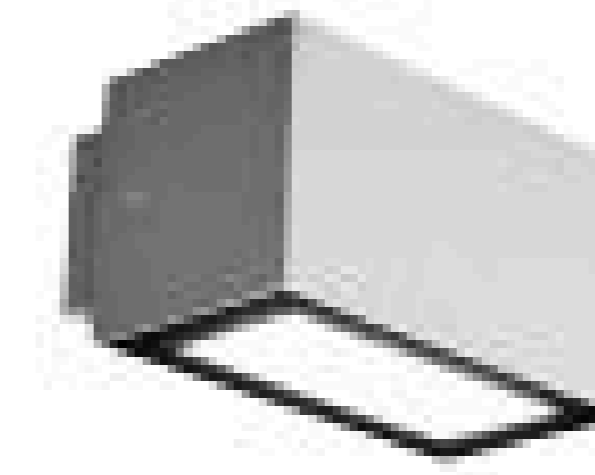
Sanded Black  
RAL 9005



Smoke Grey  
KAP 7043

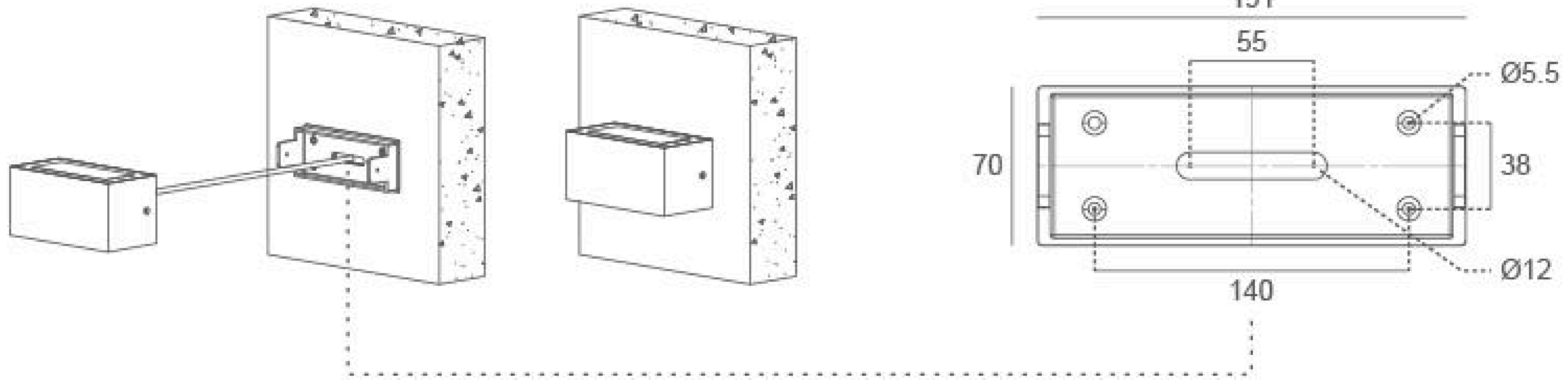


Sanded Bronze  
KAP 7008



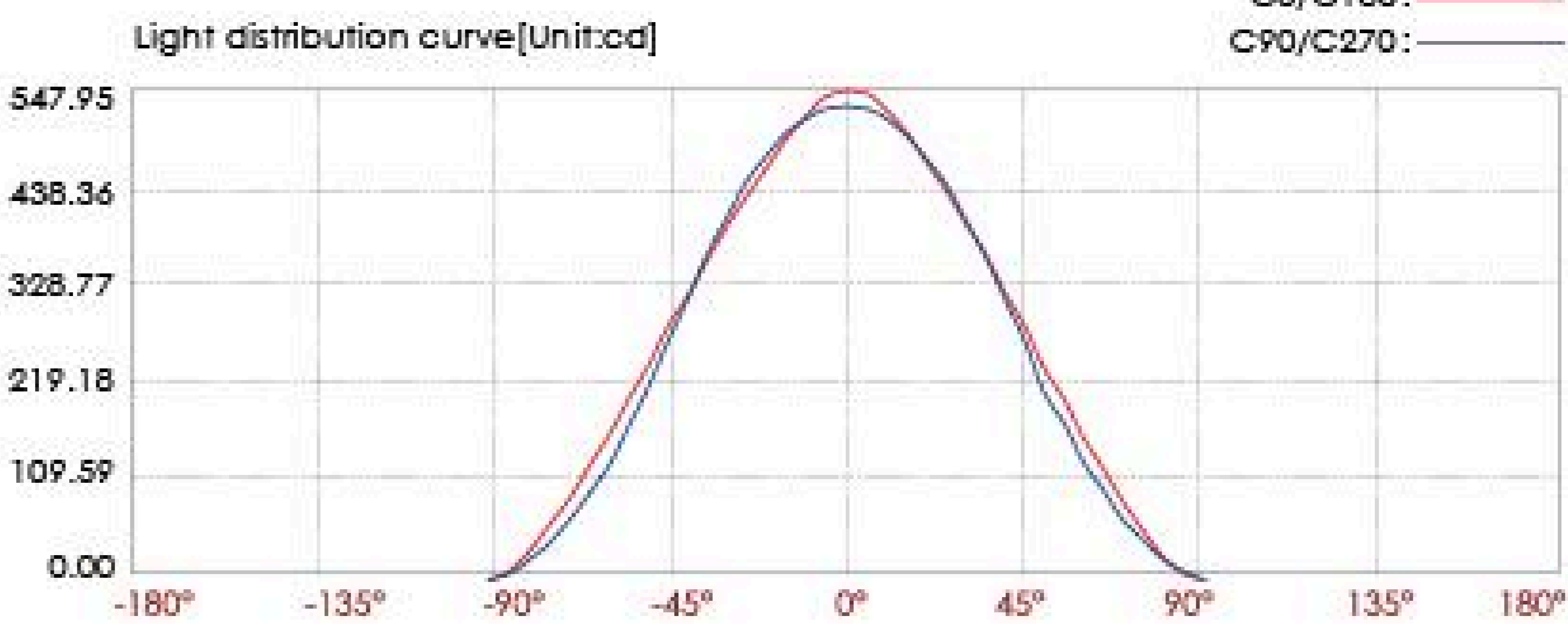
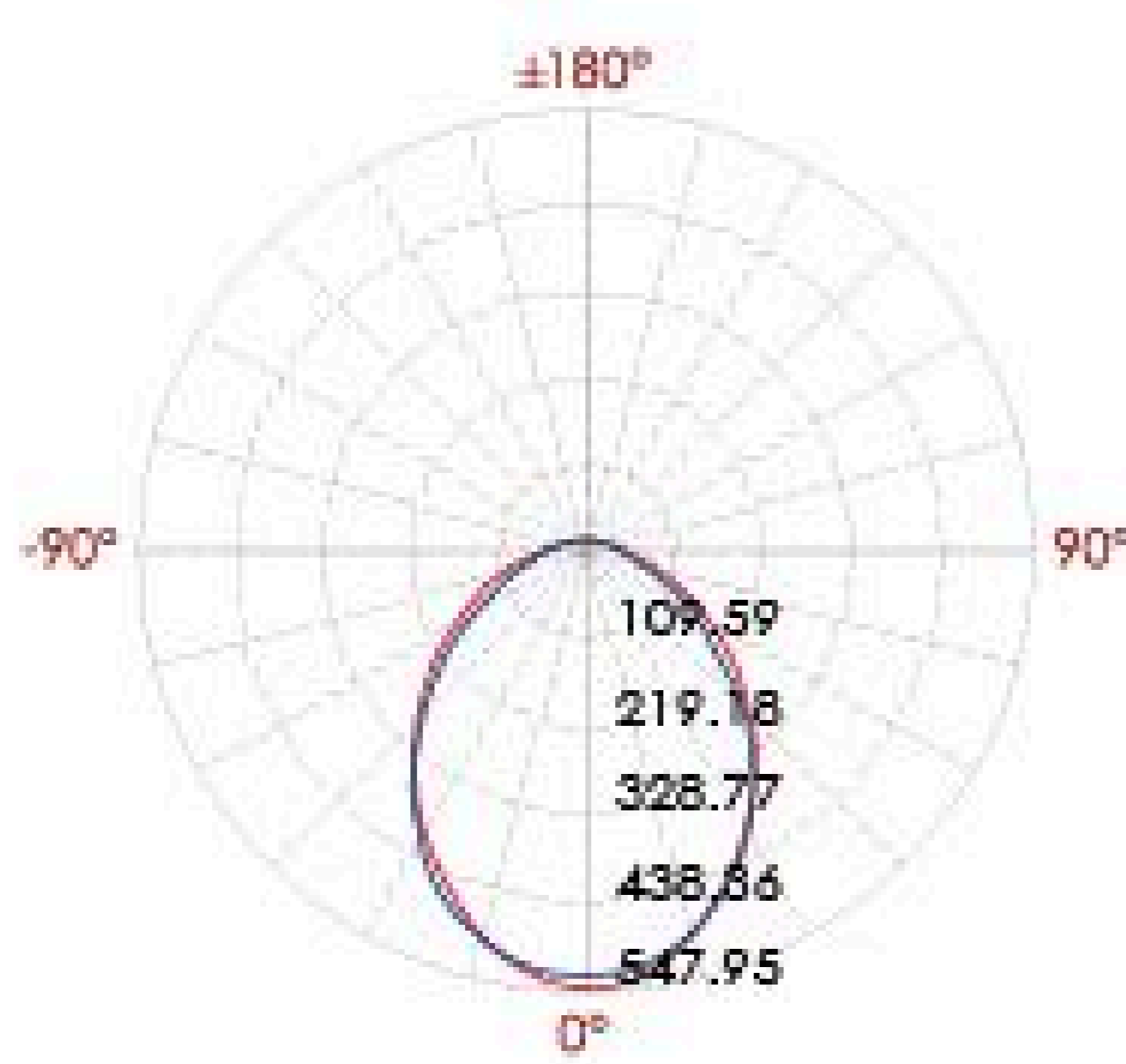
Sanded White  
RAL 9003

### Diagram of Instruction



### Photometric

12m	3.81 LUX
11m	
10m	5.48 LUX
9m	
8m	8.56 LUX
7m	
6m	15.22 LUX
5m	
4m	34.25 LUX
3m	
2m	136.99 LUX
1m	



Illuminance at a distance			
Center beam LUX	Beam width V	Beam width H	
2m 136.99 LUX	4.2m	3.9m	
4m 34.25 LUX	8.3m	7.8m	
6m 15.22 LUX	12.5m	11.7m	
8m 8.56 LUX	16.6m	15.6m	
10m 5.48 LUX	20.8m	19.5m	
12m 3.81 LUX	25.0m	23.4m	

Ver.Spread:92.3 Horiz.Spread:88.5