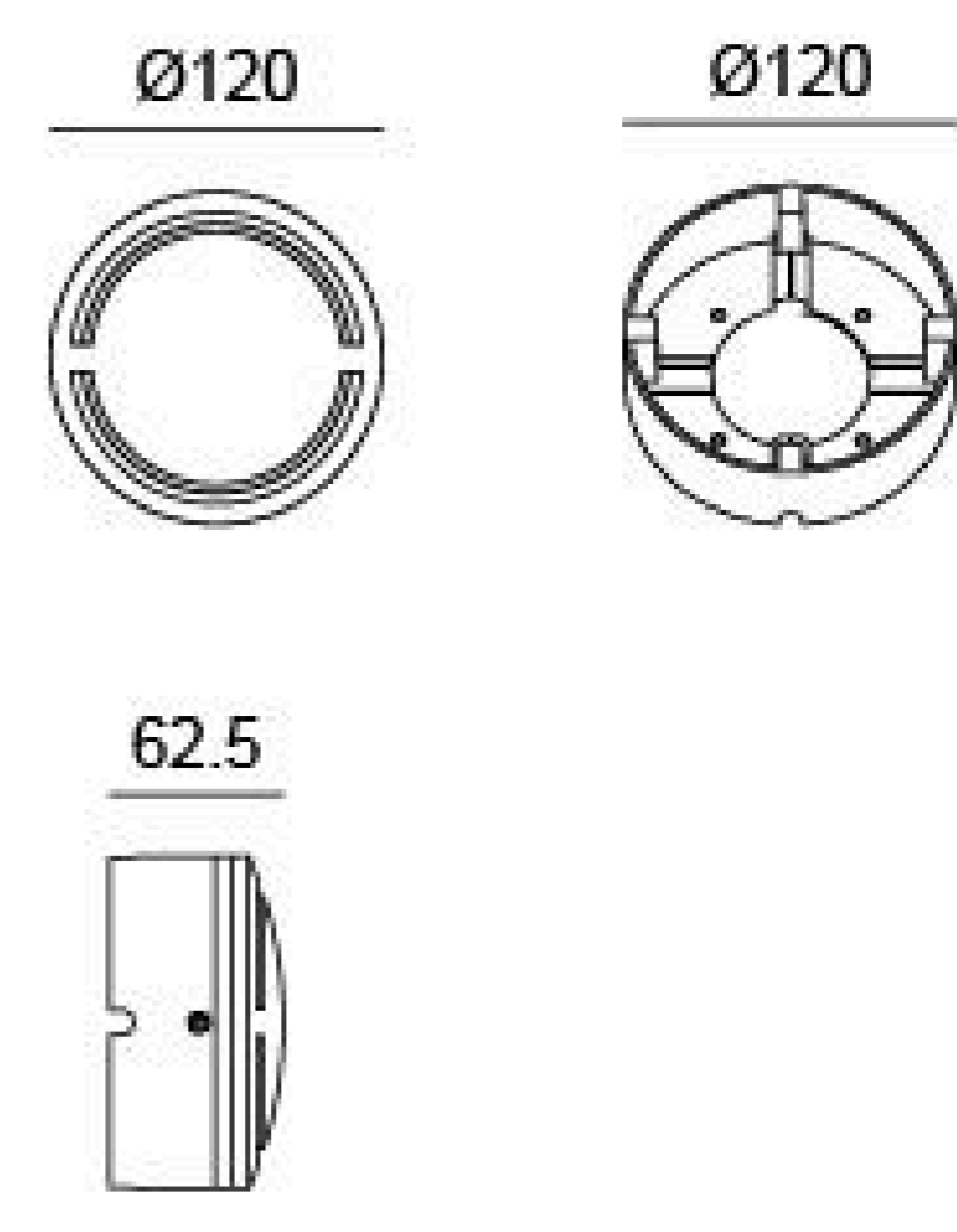


07ALD2832

Light Source	28x0.1W
Lens	N/A
Selected Degree (°)θ1/2	N/A
Input Voltage (V)	DC 24 AC 240
Operating Current (MA)	24V=125 240V=15
Consumption (W)	24V=3 240V=3.5
Luminance (LM)	WW=18
IK	08

Linear Drawing



Unit: mm

Specification

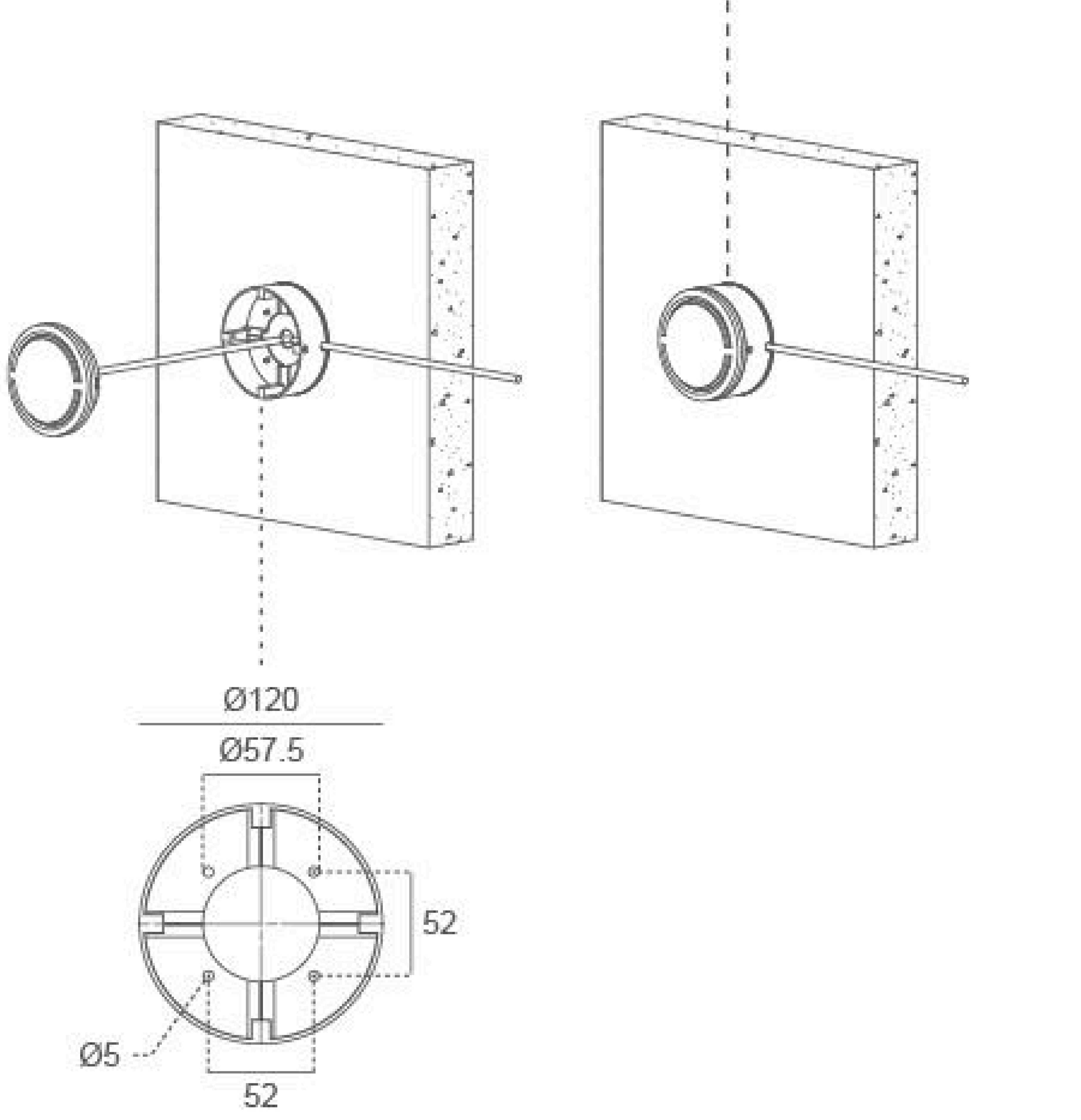
Housing & Mounting Base	12# Die-casting aluminum finishing or powder Painting T=60-80µm.Adhesion of ISO class 1/ASTM class 4B
Light Window	UV stop & Fireproof PC T=2.5mm
Gasket	Waterproof silicone gasket
LED Type	SMD
Driver	Built in on/off driver
Operating Temperature	-20°C~40°C
Power Cable	Outside of luminaire (Without waterstopper) 24V: H05RN-F 2×1.0mm², L=0.3m 120V/240V: H05RN-F 3×1.0mm², L=0.3m

Painting Color

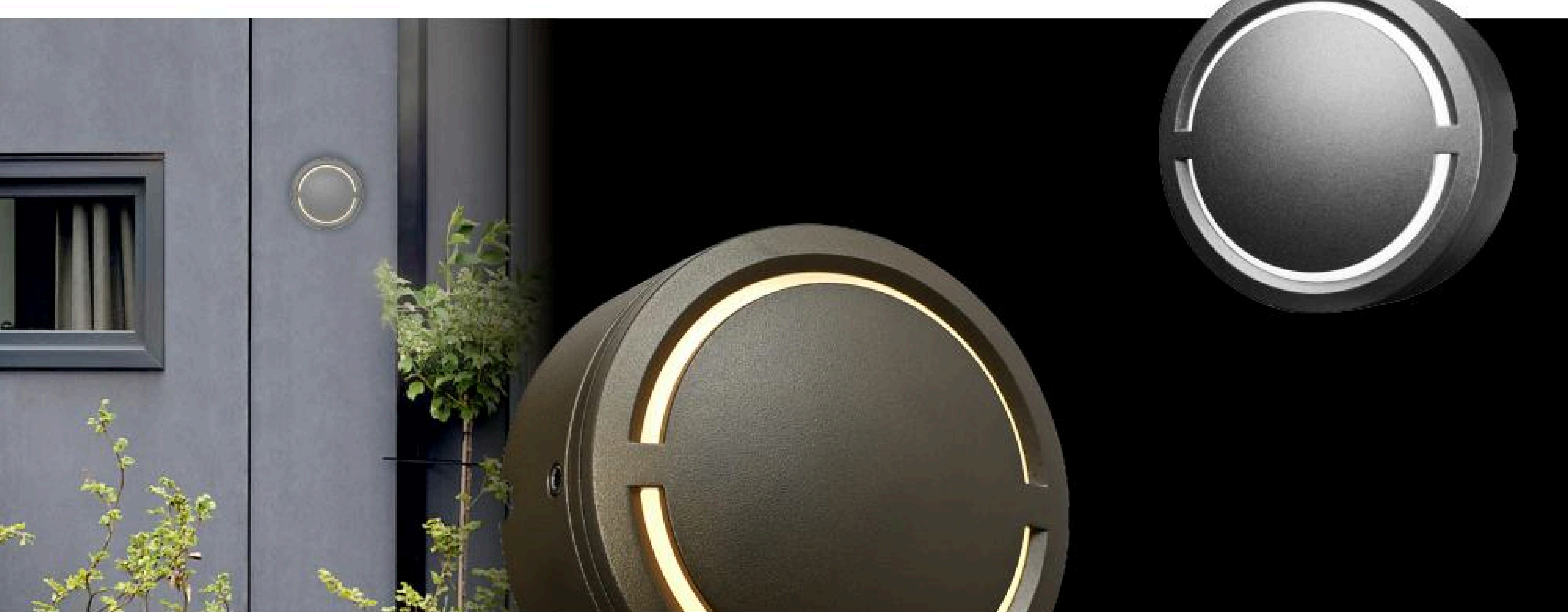
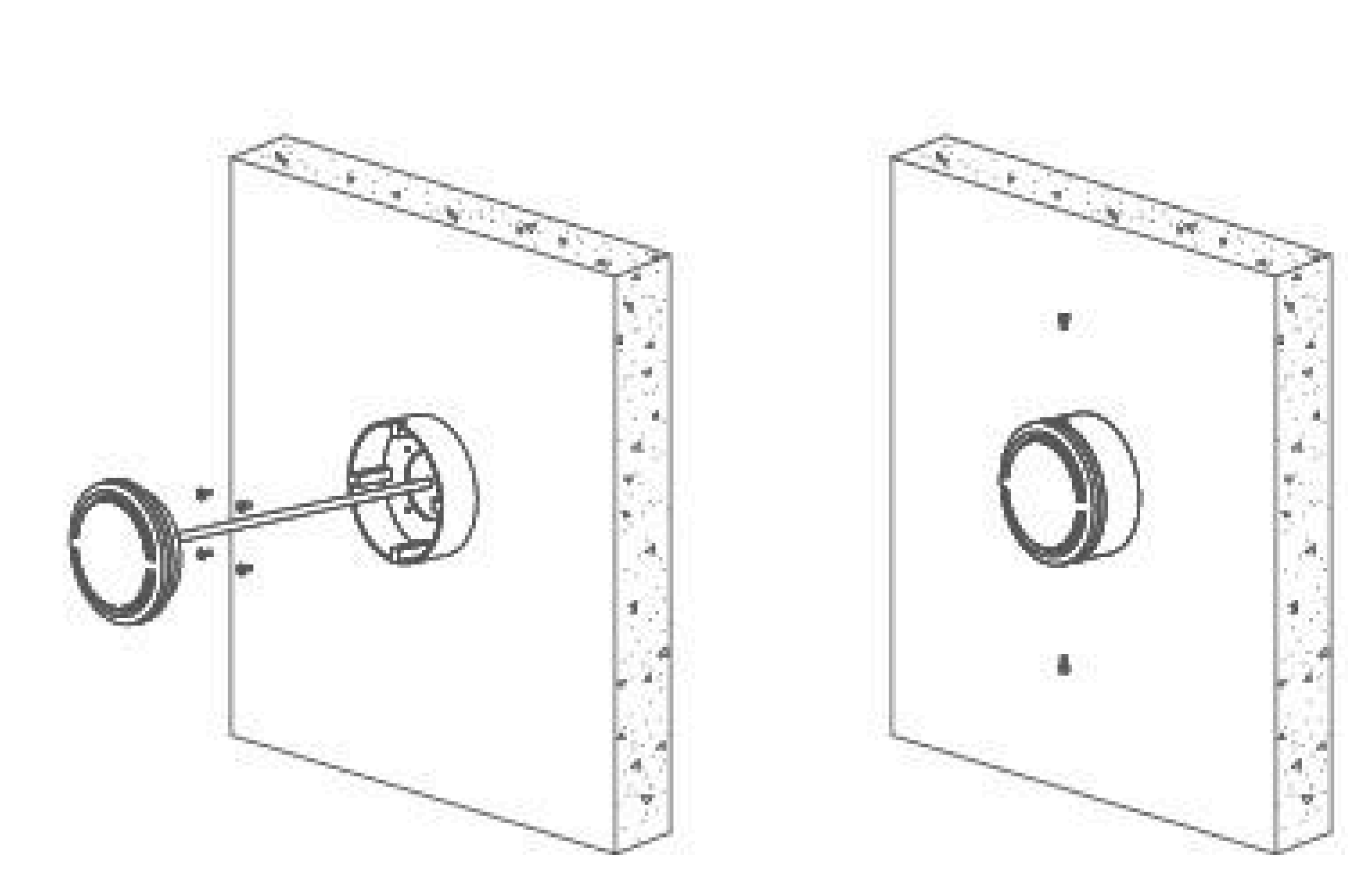
- Primary**
- Sanded Dark Grey KAP 7037
- Secondary**
- Sanded Black RAL 9005
 - Sanded Bronze KAP 7008
 - Sanded White RAL 9003

Wiring Options

Side Wiring

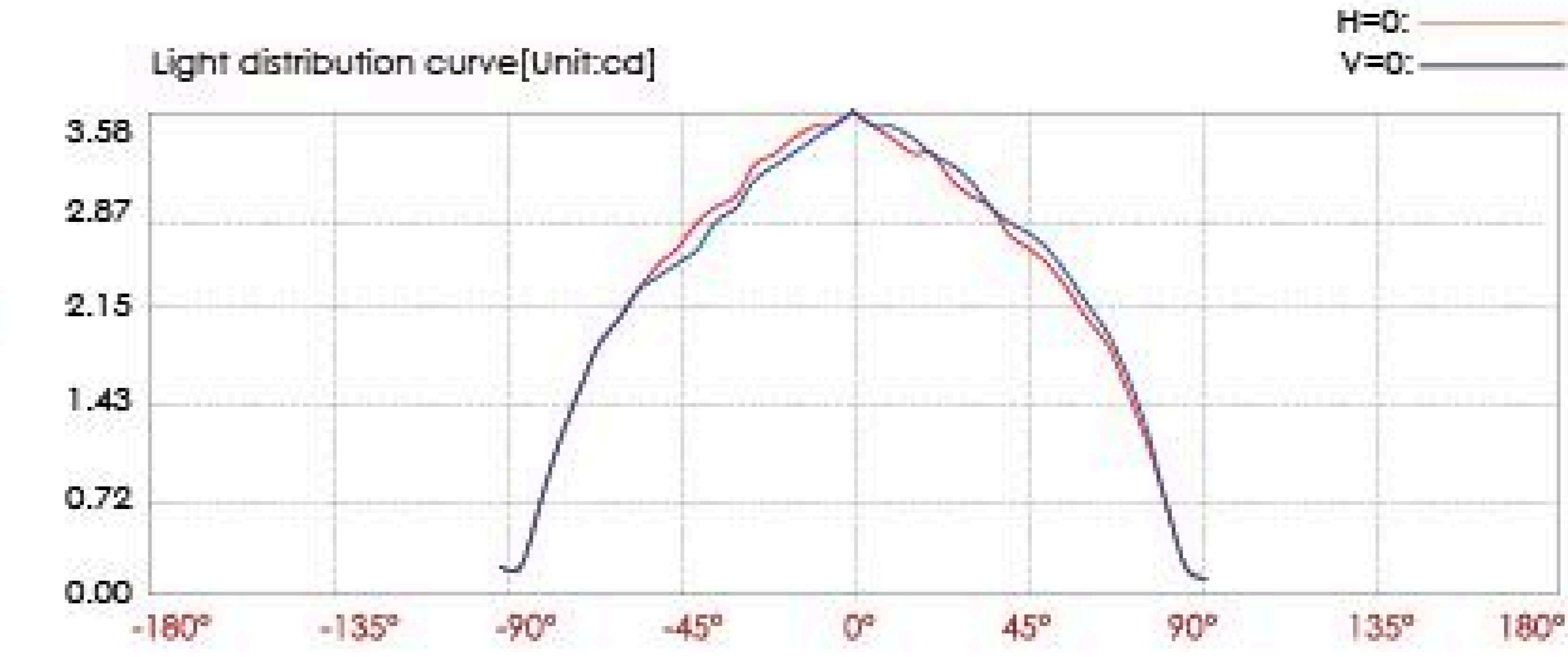
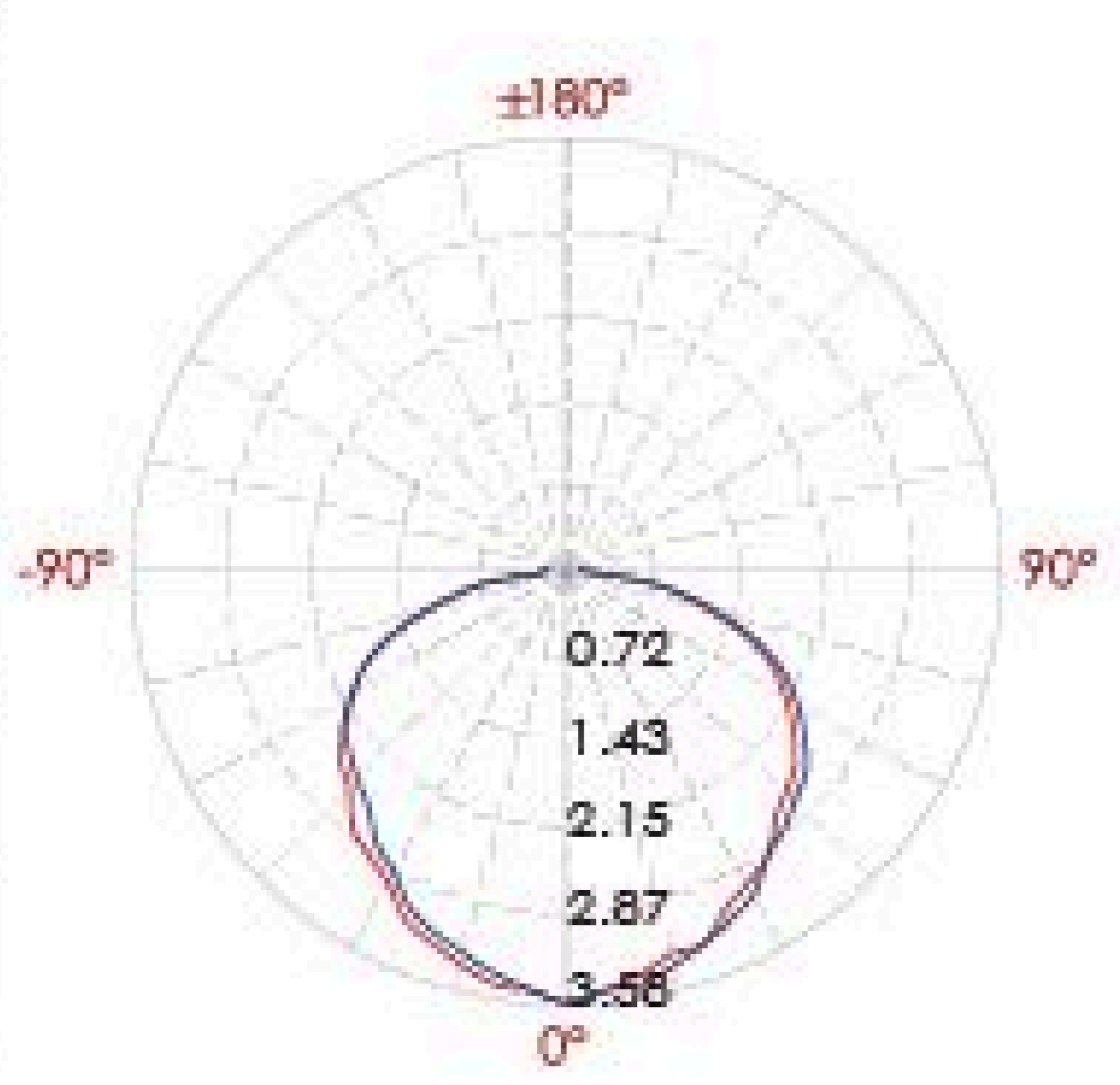


Back Wiring



Photometric

12m	0.02 LUX
11m	
10m	0.04 LUX
9m	
8m	0.06 LUX
7m	
6m	0.10 LUX
5m	
4m	0.22 LUX
3m	
2m	0.90 LUX
1m	



Lux distance curve

Center beam LUX	Beam width V	H
2m	0.90 LUX	8.9m 9.3m
4m	0.22 LUX	17.8m 18.5m
6m	0.10 LUX	26.7m 27.8m
8m	0.06 LUX	35.6m 37.0m
10m	0.04 LUX	44.5m 46.3m
12m	0.02 LUX	53.4m 55.5m

Ver.Spread:131.7 Horiz.Spread:133.3