

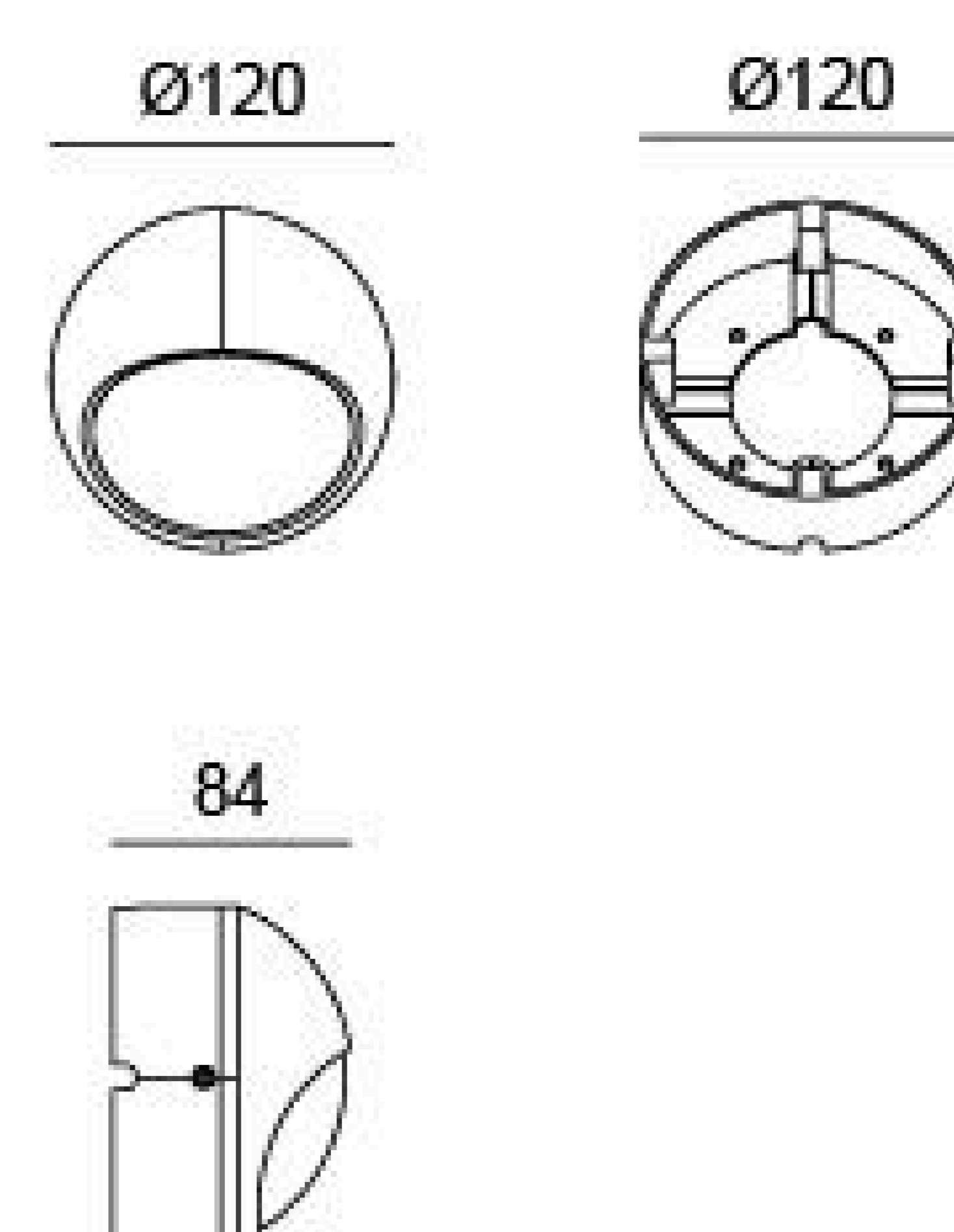
07AKD1833

Light Source	18x0.15W
Lens	N/A
Selected Degree (°)θ1/2	N/A
Input Voltage (V)	DC 24 AC 120 240
Operating Current (MA)	24V=105 120V=52 240V=32
Consumption (W)	24V=2.5 120V=4 240V=4.5
Luminance (LM)	WW=157
IK	08

Specification

Housing & Mounting Base	12# Die-casting aluminum finishing or powder Painting T=60-80µm.Adhesion of ISO class 1/ASTM class 4B
Light Window	UV stop & Fireproof PC T=2.5mm
Gasket	Waterproof silicone gasket
LED Type	SMD
Driver	Built in on/off driver
Operating Temperature	-20°C~40°C
Power Cable	Outside of luminaire (Without waterstopper) 24V: H05RN-F 2×1.0mm², L=0.3m 120V/240V: H05RN-F 3×1.0mm², L=0.3m

Linear Drawing



Unit: mm

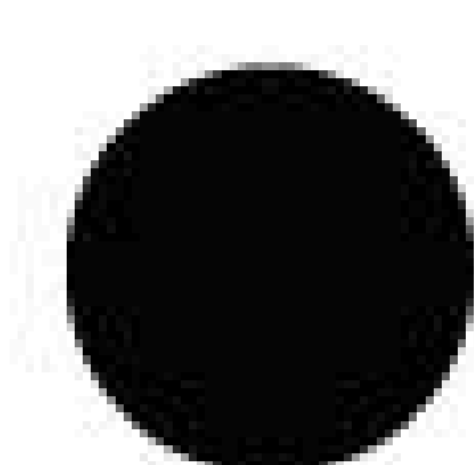
Painting Color

Primary



Sanded Dark Grey
KAP 7037

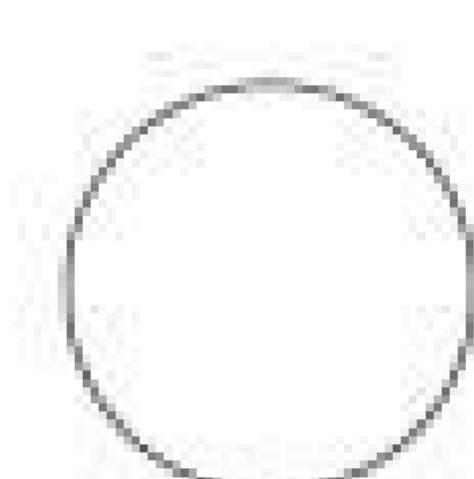
Secondary



Sanded Black
RAL 9005



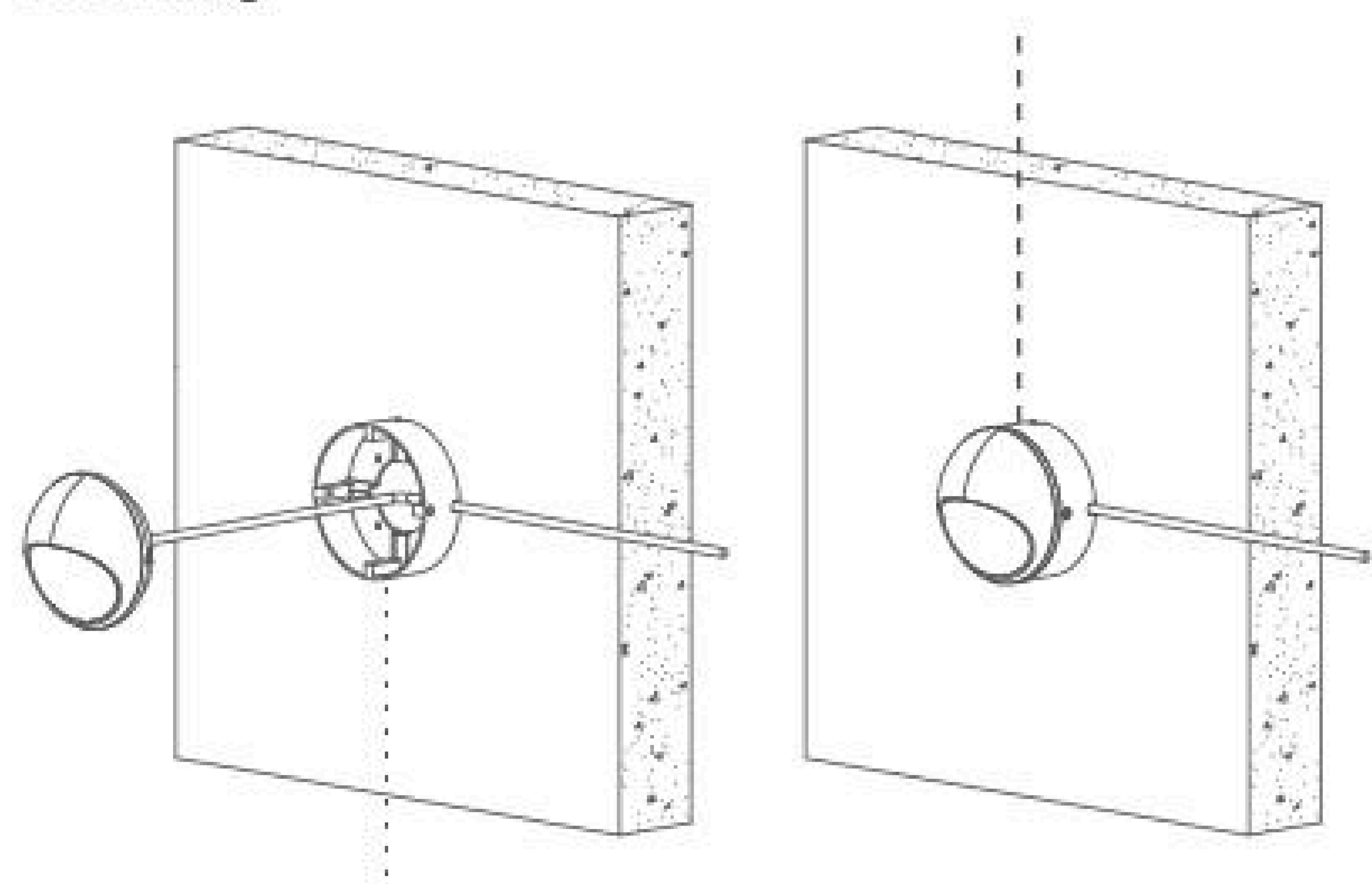
Sanded Bronze
KAP 7008



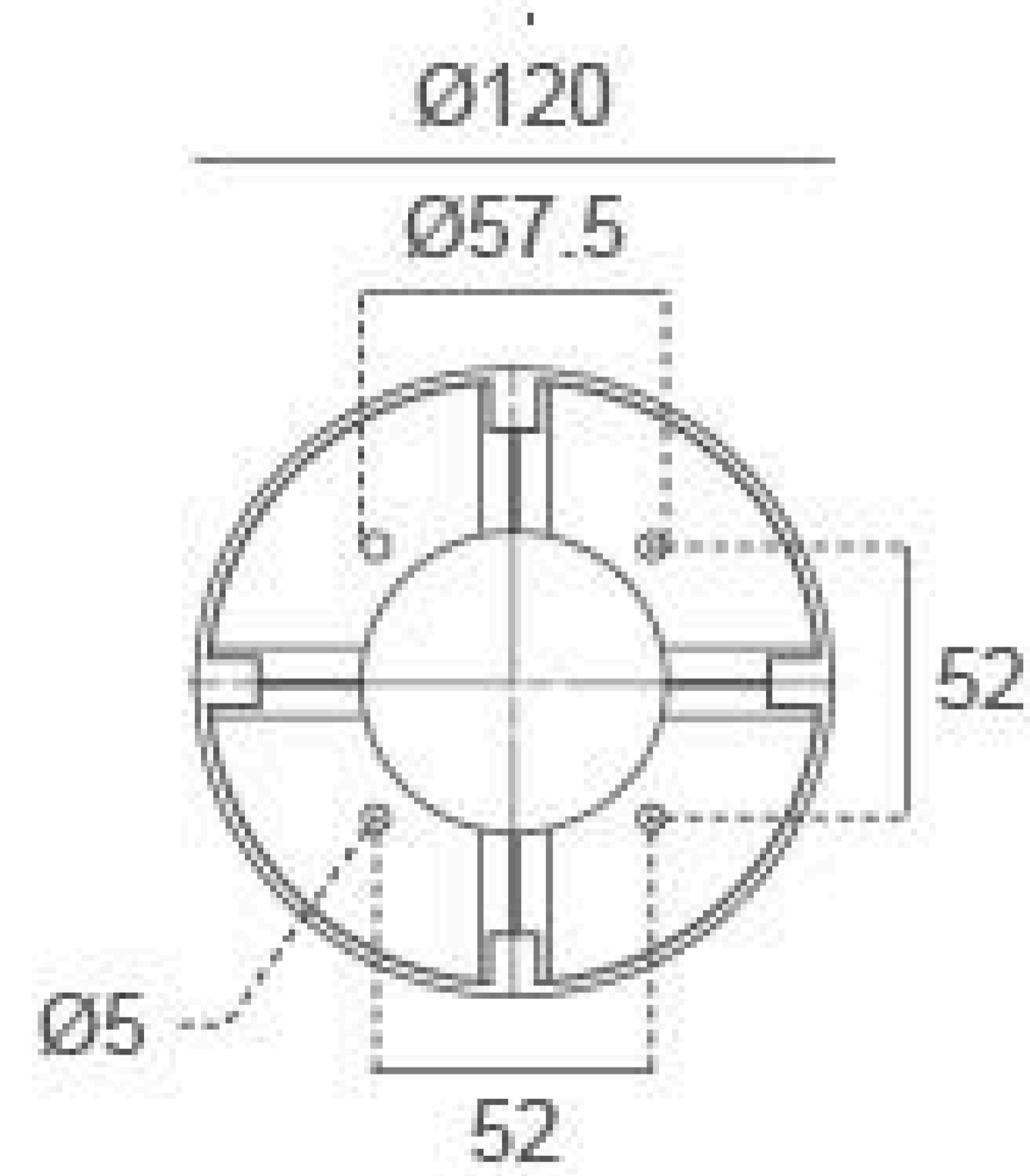
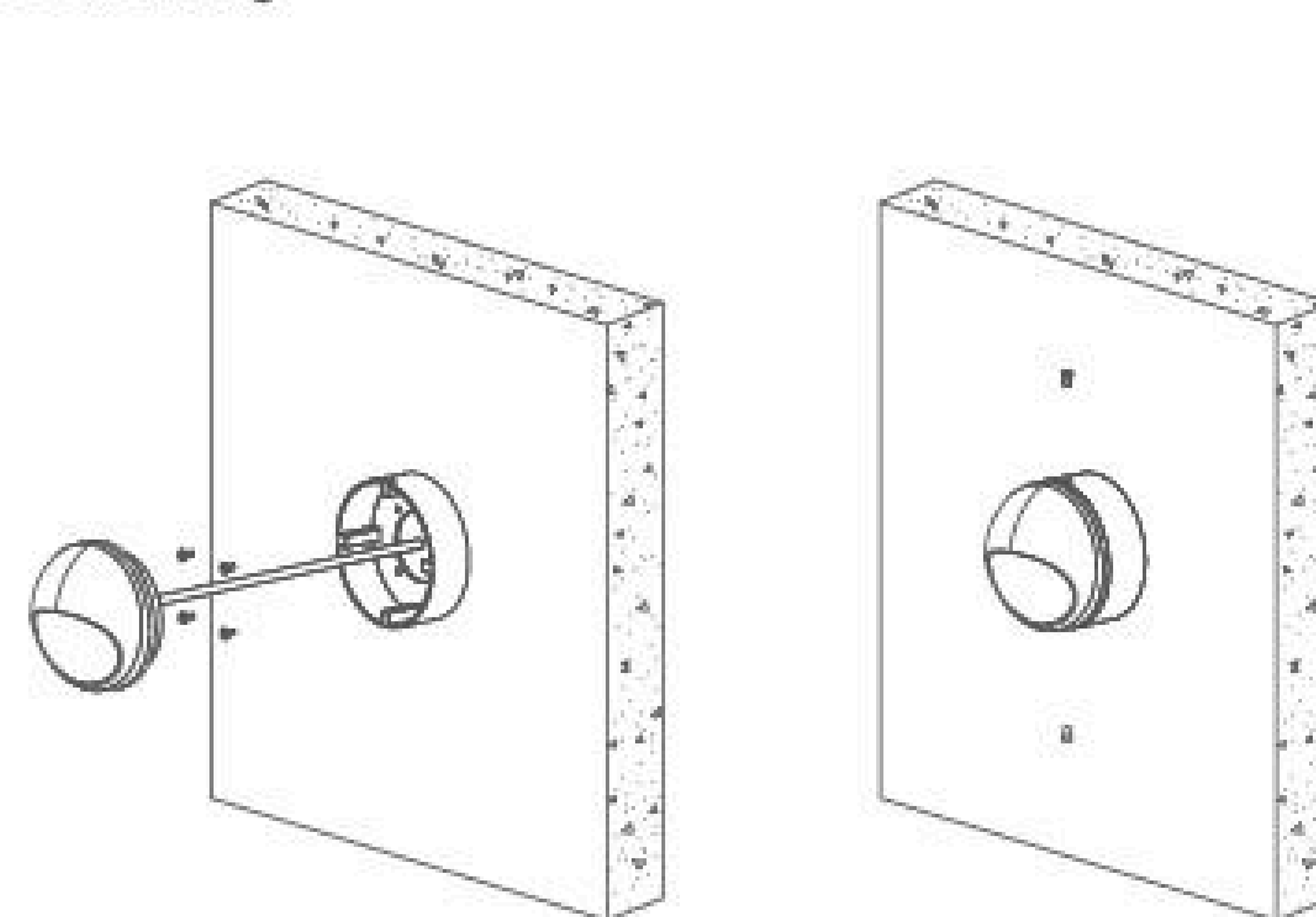
Sanded White
RAL 9003

Wiring Options

Side Wiring

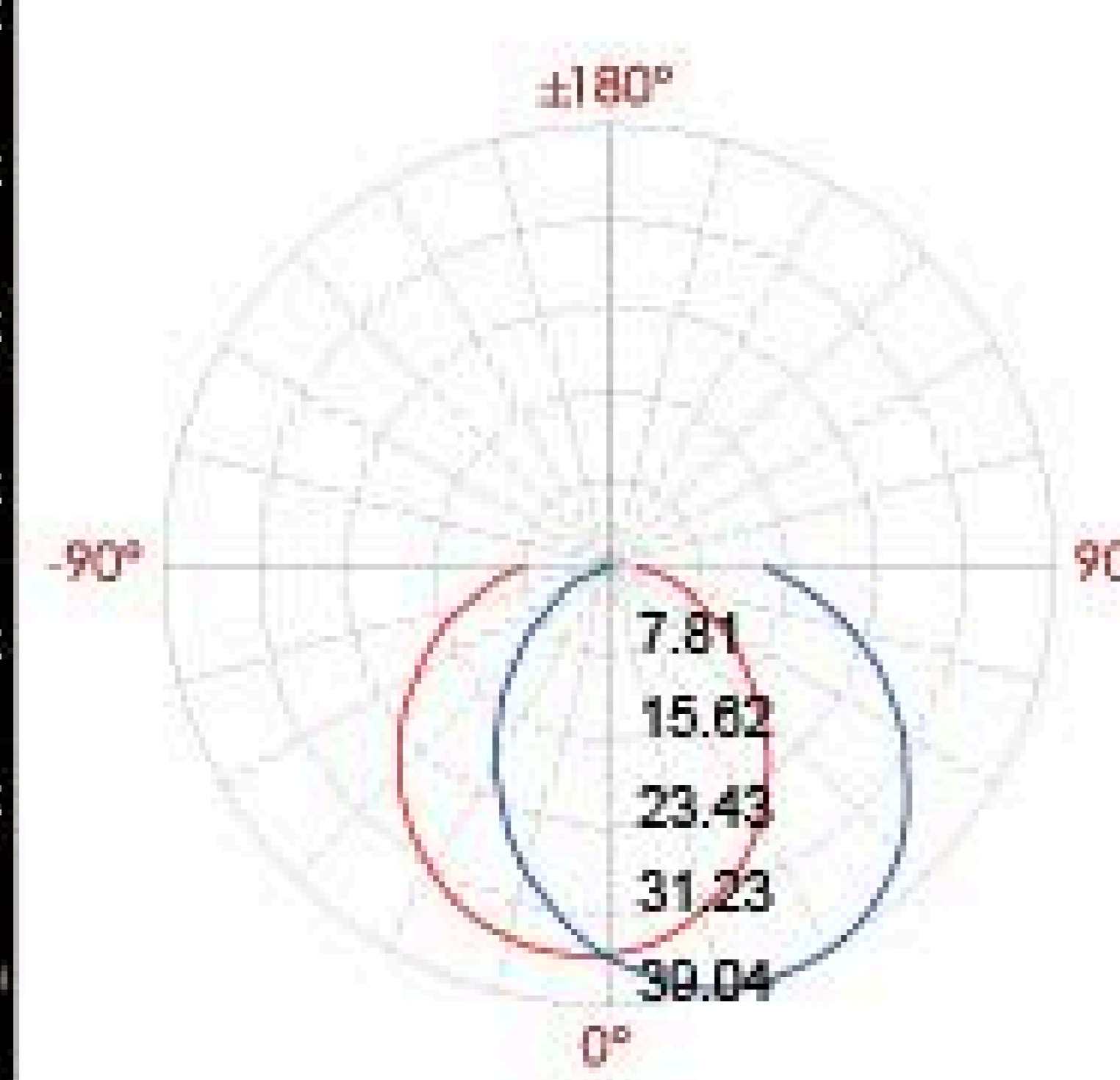


Back Wiring



Photometric

12m	0.24 LUX
11m	
10m	0.34 LUX
9m	
8m	0.53 LUX
7m	
6m	0.94 LUX
5m	
4m	2.12 LUX
3m	
2m	8.49 LUX
1m	



Light distribution curve[Unit:cd]



C90(MAX):
C0/ C180:
C90/ C270:

Lux distance curve

Center beam LUX	Beam width V	H
2m	8.49 LUX	6.0m 5.7m
4m	2.12 LUX	12.0m 11.4m
6m	0.94 LUX	18.0m 17.1m
8m	0.53 LUX	24.0m 22.8m
10m	0.34 LUX	30.0m 28.5m
12m	0.24 LUX	36.0m 34.2m

Ver.Spread:112.7 Horiz.Spread:110.0