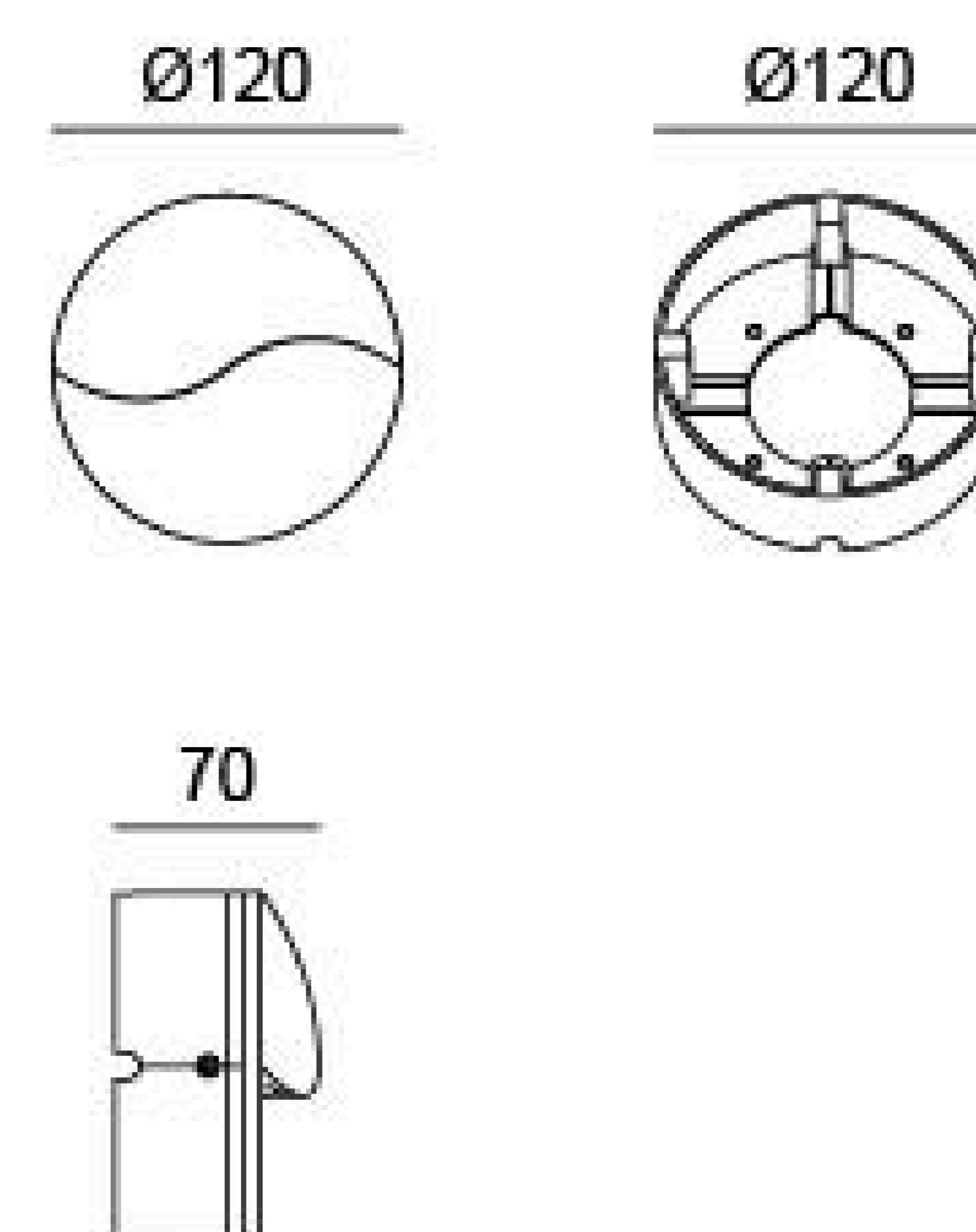


07AJD0634	
Light Source	6x0.5W
Lens	N/A
Selected Degree (°)θ1/2	N/A
Input Voltage (V)	DC 24 AC 120 240
Operating Current (MA)	24V=100 120V=48 240V=27
Consumption (W)	24V=2.4 120V=3.3 240V=3.4
Luminance (LM)	WW=48
IK	07

### Linear Drawing



Unit: mm

### Specification

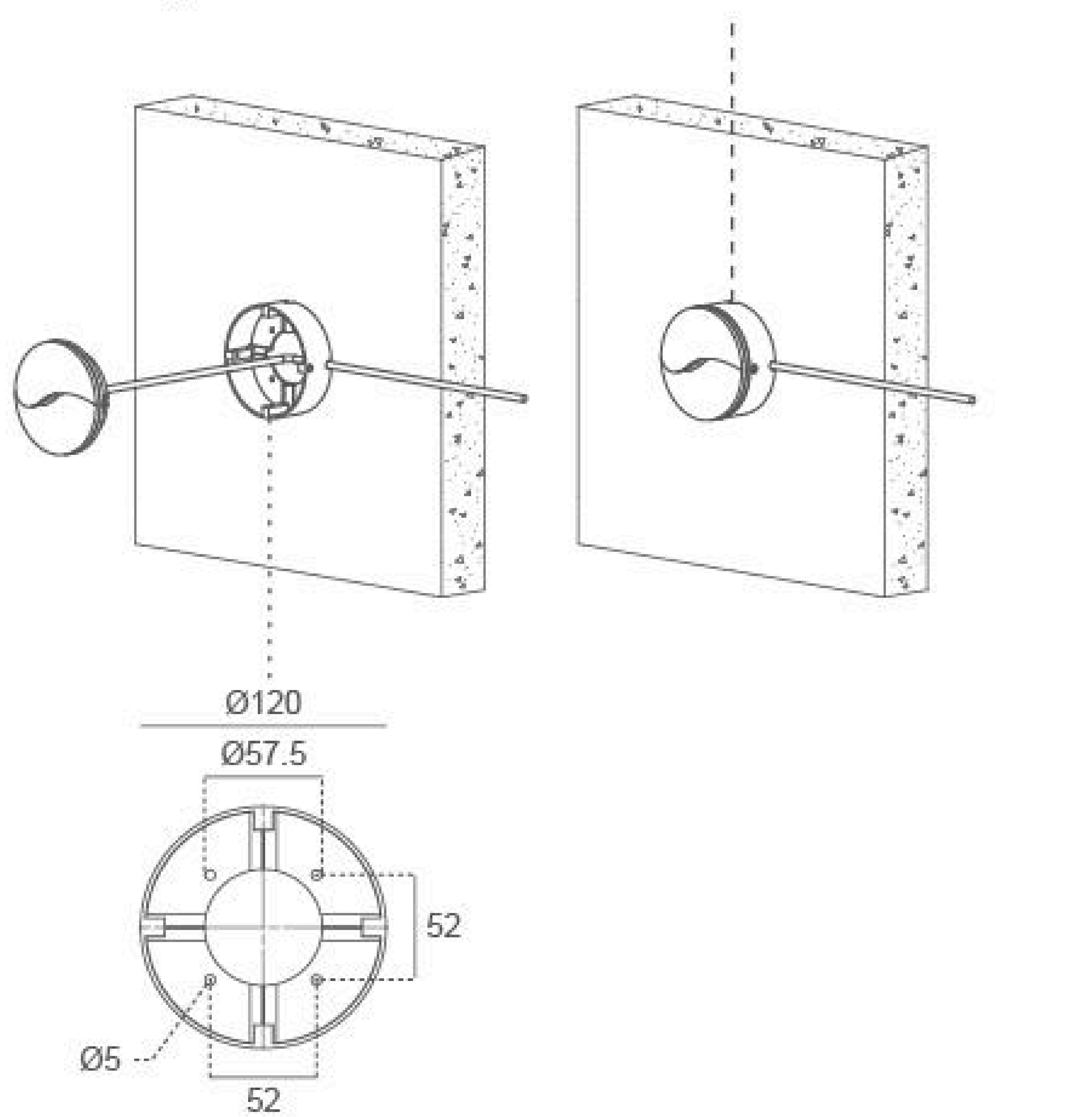
Housing & Mounting Base	12# Die-casting aluminum finishing or powder Painting T=60-80µm.Adhesion of ISO class 1/ASTM class 4B
Light Window	UV stop & Fireproof PC T=2.5mm
Gasket	Waterproof silicone gasket
LED Type	SMD
Driver	Built in on/off driver
Operating Temperature	-20°C~40°C
Power Cable	Outside of luminaire (Without waterstopper) 24V: H05RN-F 2×1.0mm², L=0.3m 120V/240V: H05RN-F 3×1.0mm², L=0.3m

### Painting Color

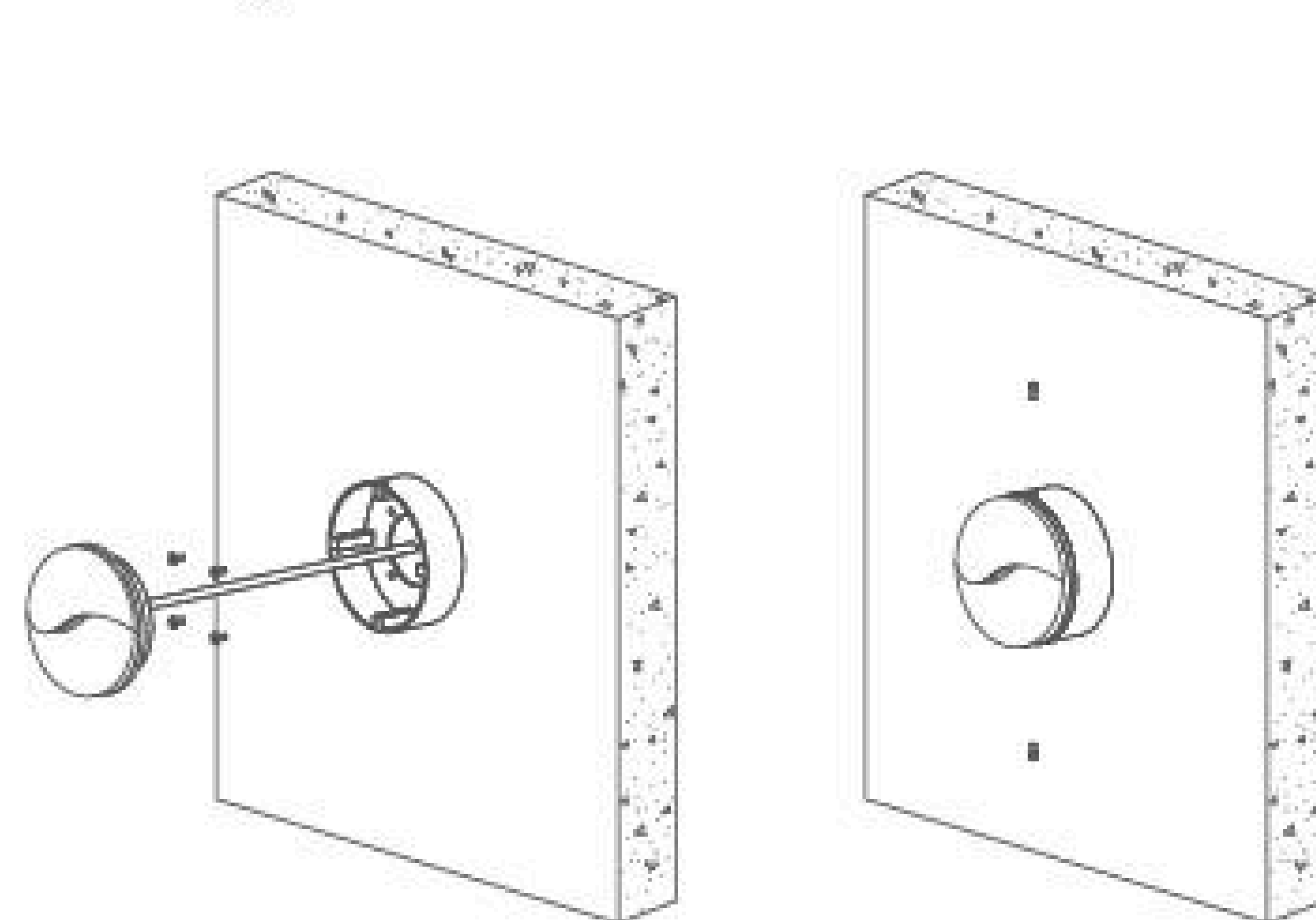
- Primary**
- Sanded Dark Grey KAP 7037
- Secondary**
- Sanded Black RAL 9005
  - Sanded Bronze KAP 7008
  - Sanded White RAL 9003

### Wiring Options

#### Side Wiring

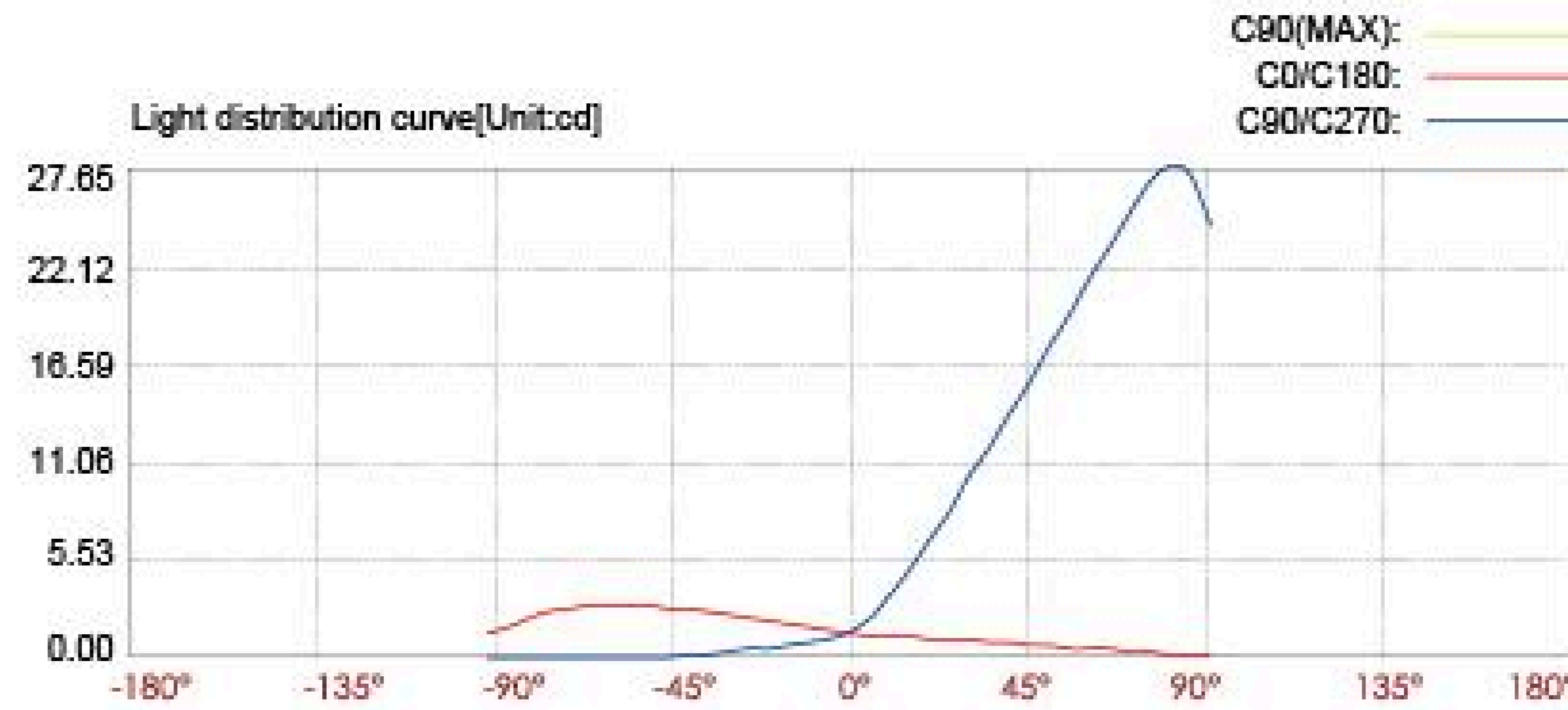
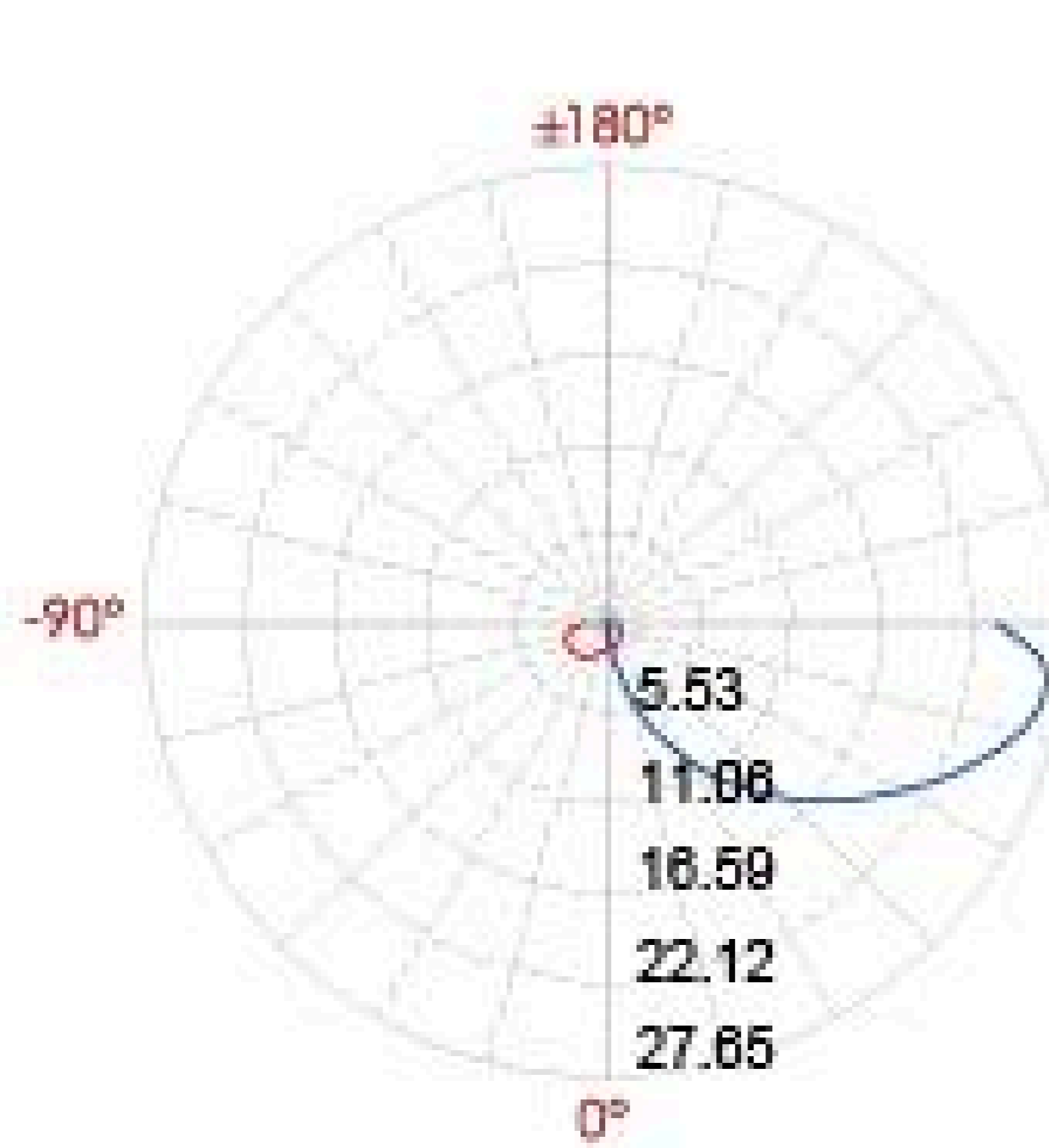


#### Back Wiring



### Photometric

12m	0.01 LUX
11m	
10m	0.02 LUX
9m	
8m	0.04 LUX
7m	
6m	0.10 LUX
5m	
4m	0.38 LUX
3m	
2m	
1m	



**Lux distance curve**

Center beam LUX	Beam width V	Beam width H
2m 0.38 LUX	4.5m	1.8m
4m 0.10 LUX	9.0m	3.6m
6m 0.04 LUX	13.5m	5.4m
8m 0.02 LUX	18.0m	7.2m
10m 0.02 LUX	22.5m	9.0m
12m 0.01 LUX	27.0m	10.8m

Ver. Spread: 96.8 Horiz. Spread: 48.7