

06TLB3657

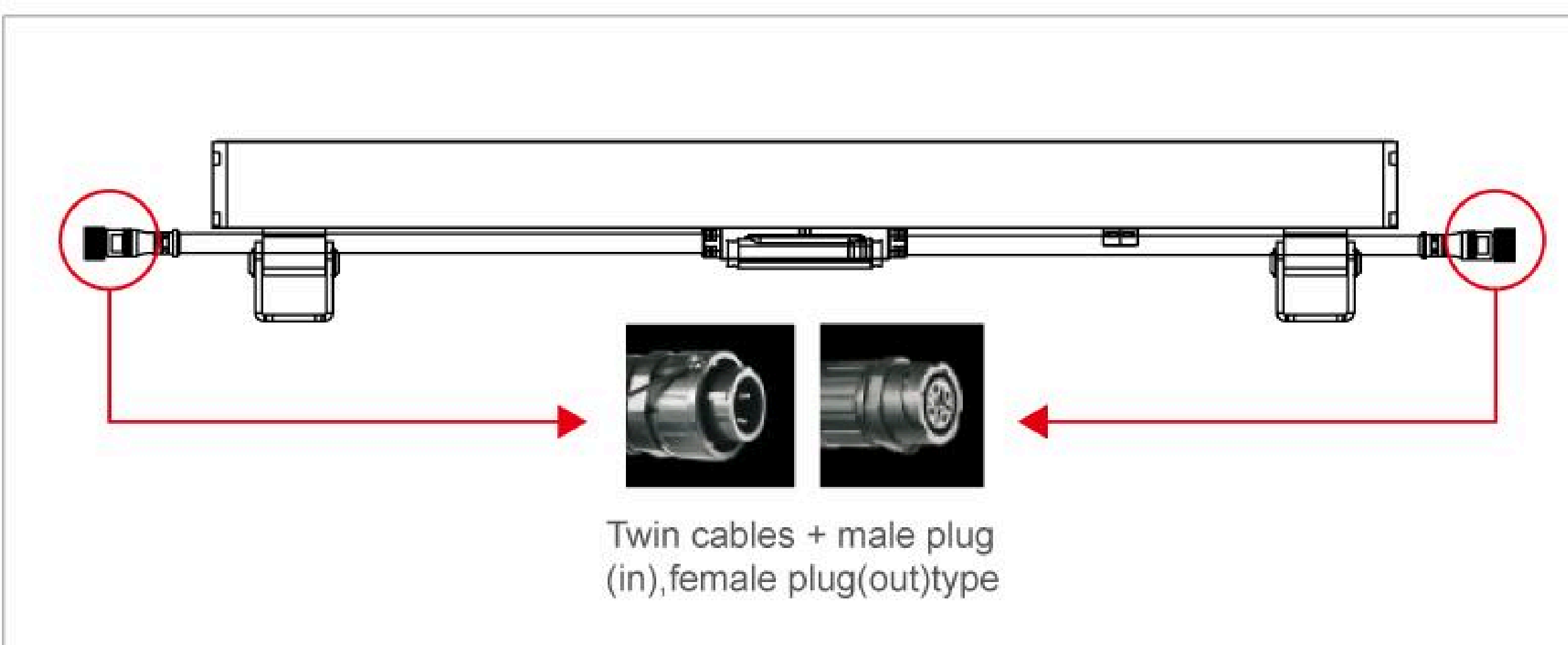
Light Source	36x1.5W
Selected Degree (°)θ1/2	30°
Input Voltage (V)	DC 24 AC 240
Operating Current (MA)	24V=2500 240V=290
Consumption (W)	24V=60 240V=66
Luminance (LM)	WW=4386
IK	08

Specification

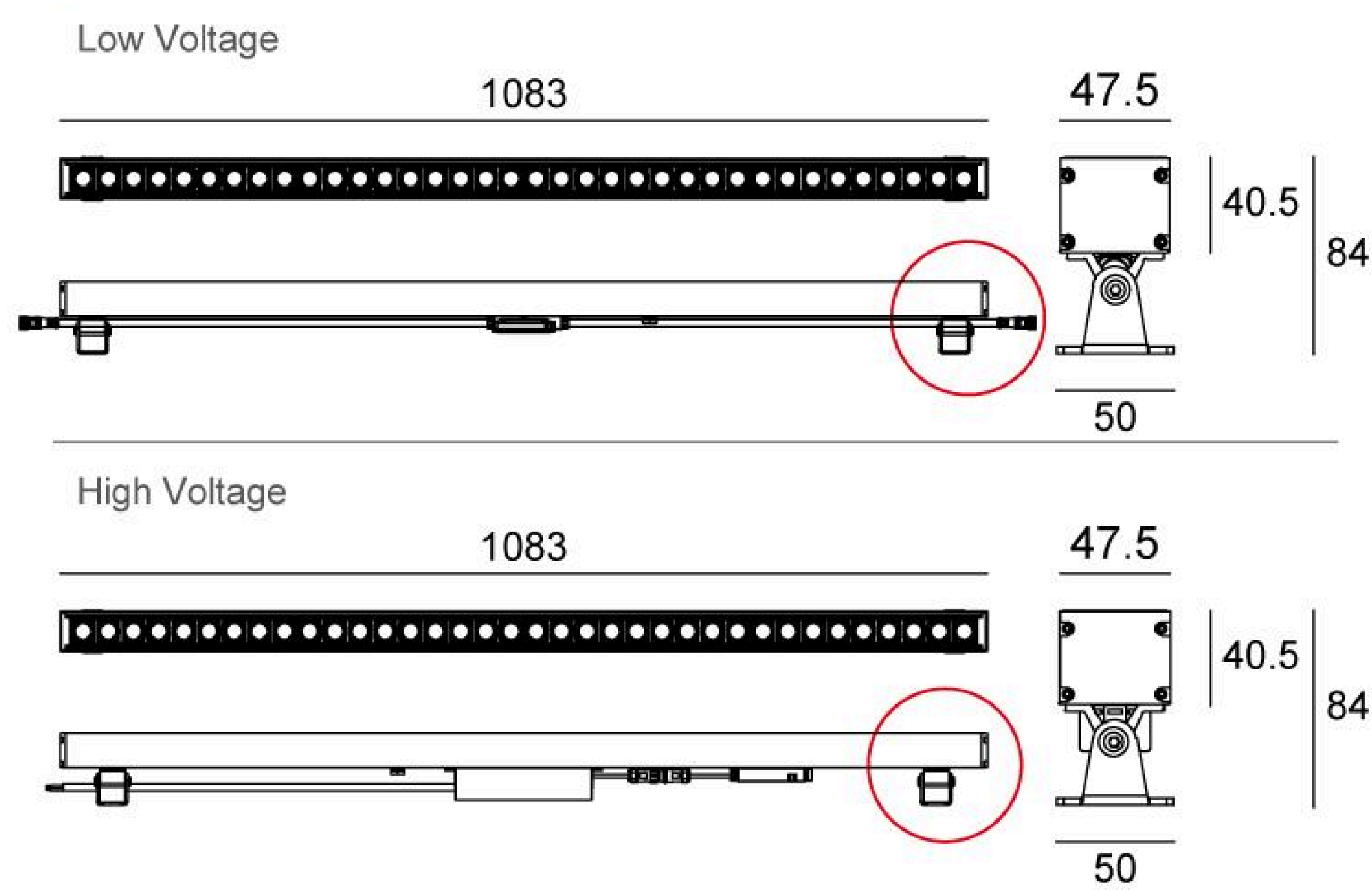
Housing	Extruded aluminum with corrosion
Bracket	SUS 202#
Light Window	Tempered glass.T=4mm
Gasket	Glass and Housing are silicone sealed
Lens	OPTICS Lens,efficiency≥85%
Operating Temperature	-20°C~40°C
LED Type	SMD
Power Cable	Outside of luminaire (Without waterstopper) H07RN-F 2×1.5mm ² , L=1.2m(24V) H05RN-F 3×1.0mm ² , L=0.3m(240V)
Dimming Support	External DALI supported TRIAC,0-10V, PWM via external driver on request

Connection

Low Voltage Input (24VDC) Power Cord Model



Linear Drawing

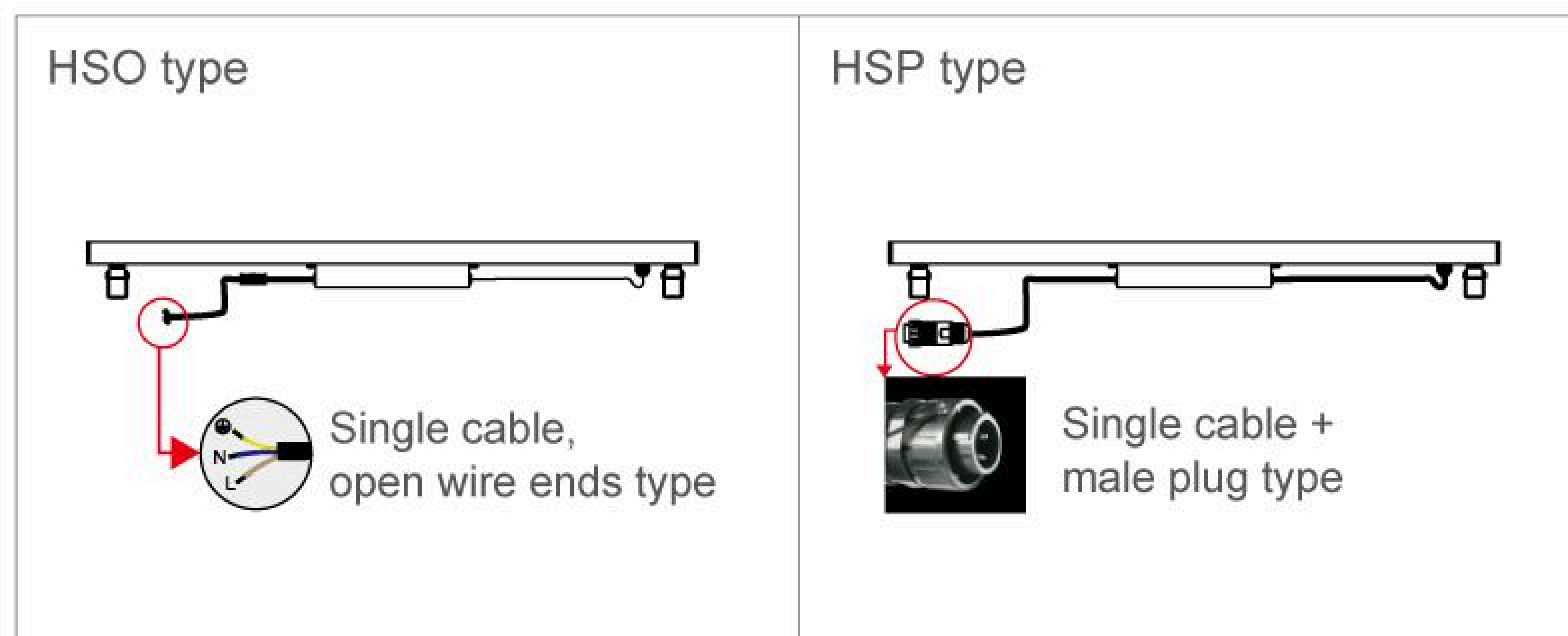


Unit: mm

Effective Beam Angle

15° 30°

High Voltage Input (120-240VDC) Power Cord Model



High voltage input default:

Single HSO type Power Cable, waterproof plugs are not included.
(Other Power Cable type and plugs are optional)

