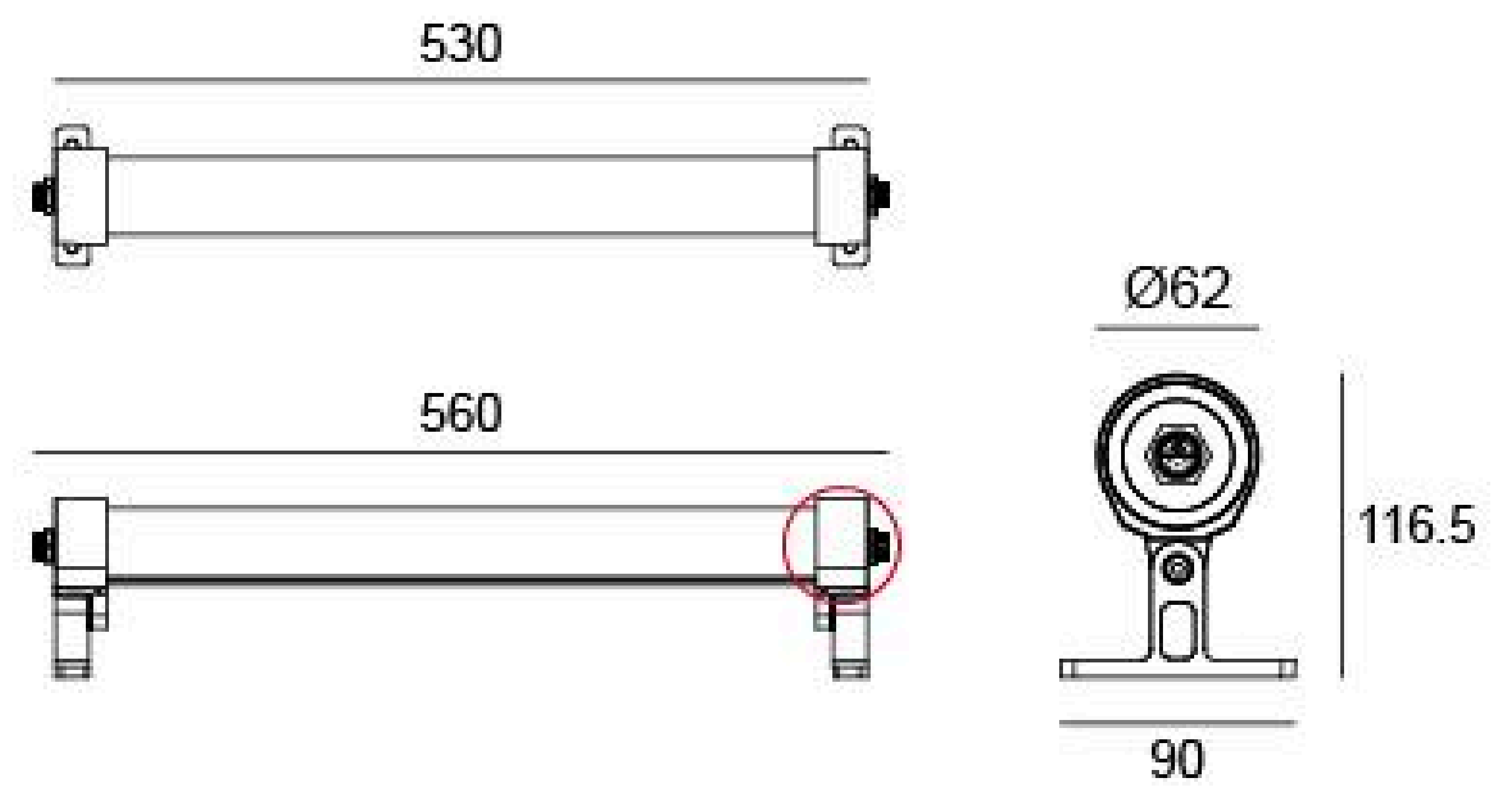


05QEB1257

| | |
|-------------------------|---------|
| Light Source | 12x1.3W |
| Lens | B89 |
| Selected Degree (°)θ1/2 | 20° |
| Input Voltage (V) | DC 24 |
| Operating Current (MA) | 24V=750 |
| Consumption (W) | 24V=18 |
| Luminance (LM) | WW=1313 |
| IK | 10 |

Linear Drawing



Unit: mm

Specification

| | |
|-----------------------|--|
| Bracket | PA66 |
| Light window | UVstop & Fireproof PC |
| Gasket | Waterproof silicone gasket |
| Lens | OPTICS Lens efficiency≥85% |
| Operating Temperature | -20°C~40°C |
| LED Type | SMD |
| Driver | Built in on/off driver |
| Power Cable | Outside of luminaire H07RN-F 2x1.0mm ² , L=1m |
| Dimming Support | External DALI supported TRIAC,0-10V, PWM via external driver on request |

Lens (Item Code)

Referenced Degree(°)θ1/2



B89

8° 10° 12° 20° 30° 45° 12°×45°

