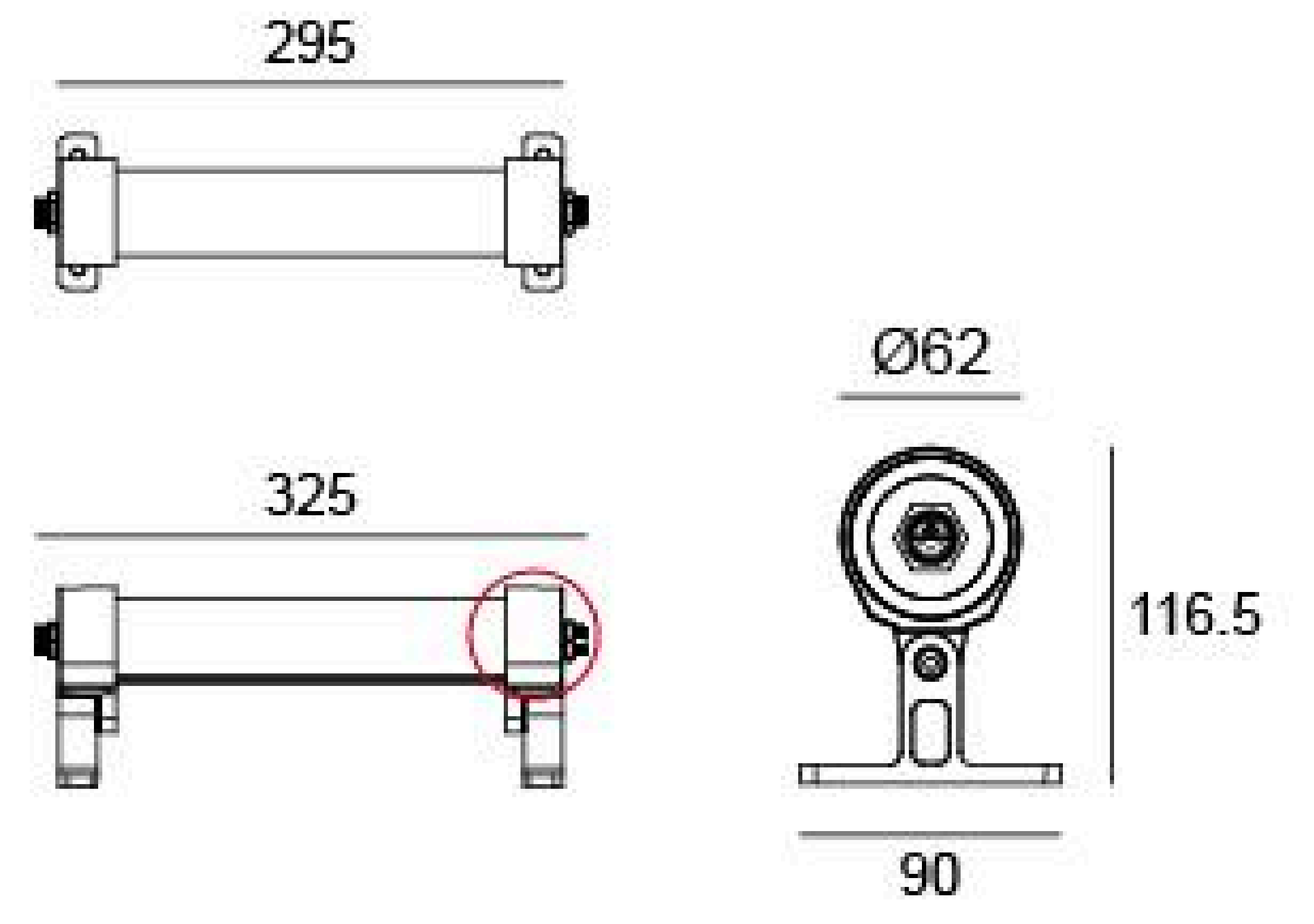


## 05QEB0657

Light Source	6x1.3W
Lens	B89
Selected Degree (°)θ1/2	20°
Input Voltage (V)	DC 24
Operating Current (MA)	24V=375
Consumption (W)	24V=9
Luminance (LM)	WW=656
IK	10

## Linear Drawing



Unit: mm

## Specification

Bracket	PA66
Light window	UVstop & Fireproof PC
Gasket	Waterproof silicone gasket
Lens	OPTICS Lens efficiency≥85%
Operating Temperature	-20°C~40°C
LED Type	SMD
Driver	Built in on/off driver
Power Cable	Outside of luminaire H07RN-F 2x1.0mm <sup>2</sup> , L=1m
Dimming Support	External DALI supported TRIAC,0-10V, PWM via external driver on request

## Lens (Item Code)

## Referenced Degree(°)θ1/2



B89

8° 10° 12° 20° 30° 45° 12°×45°

