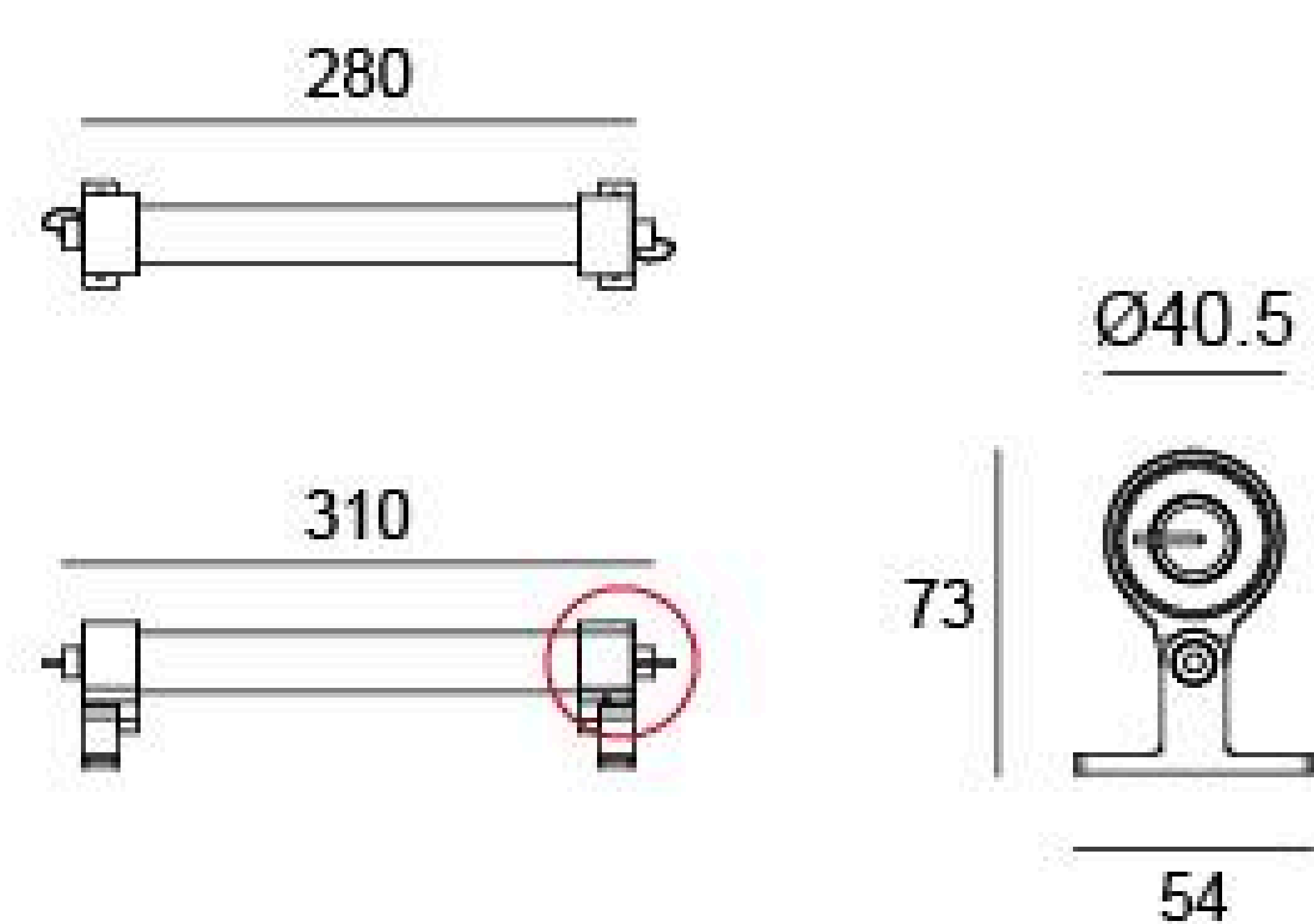


05QDB0635

Light Source	6x1W
Lens	B94
Selected Degree (°)θ1/2	20°
Input Voltage (V)	DC 24
Operating Current (MA)	24V=250
Consumption (W)	24V=6
Luminance (LM)	WW=375
IK	10

Linear Drawing



Unit: mm

Specification

Bracket	PA66
Light window	UVstop & Fireproof PC
Gasket	Waterproof silicone gasket
Lens	OPTICS Lens efficiency≥85%
Operating Temperature	-20°C~40°C
LED Type	SMD
LED Driver	Built in on/off driver
Power Cable	Outside of luminaire H07RN-F 2x1.0mm², L=1m
Dimming Support	External DALI supported TRIAC,0-10V, PWM via external driver on request

Lens (Item Code)

Referenced Degree(°)θ1/2



B94

12° 20° 33° 40° 18°×41°

Overview



Application

