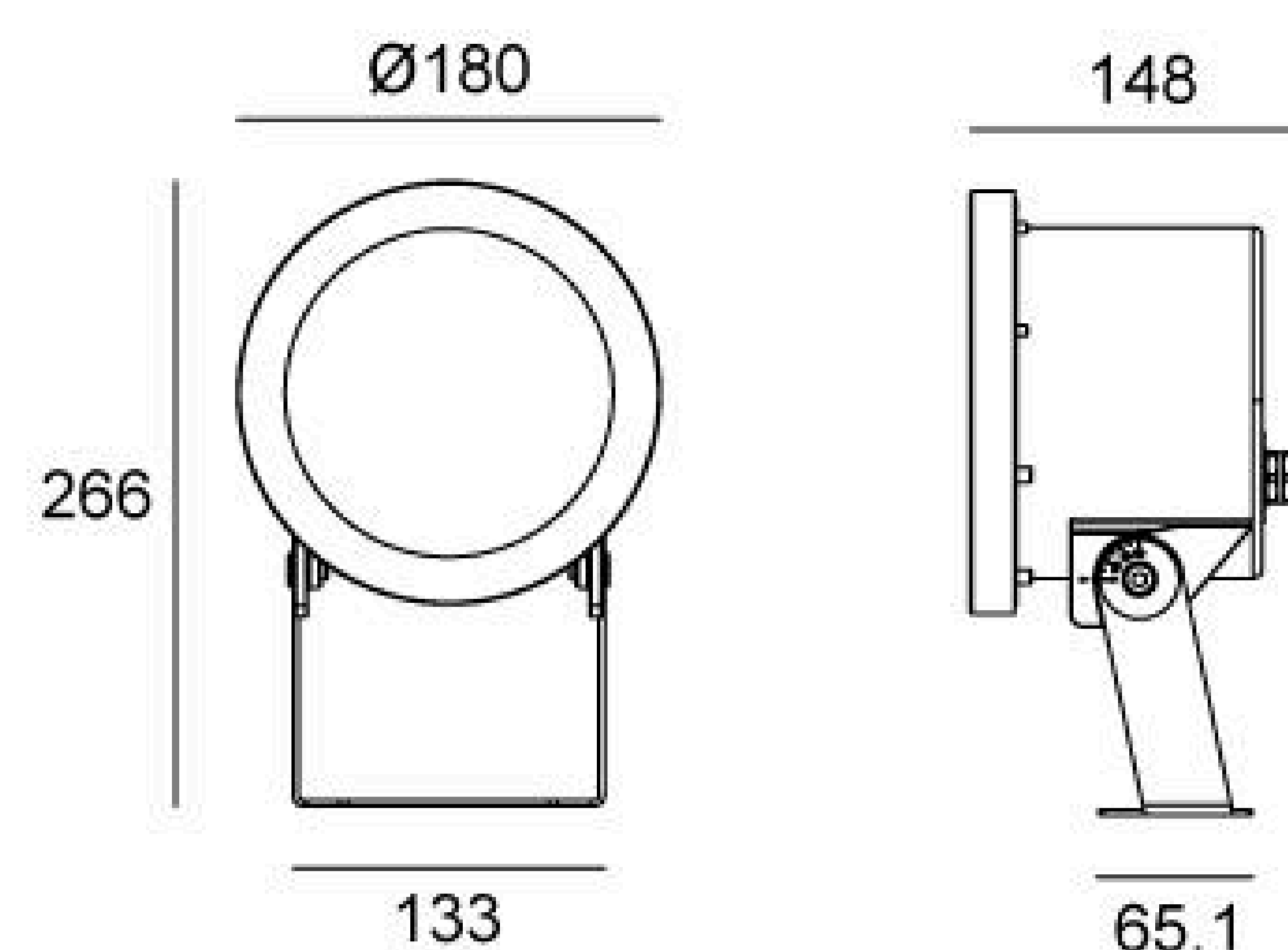


## 05DGB2457

Light Source	24x1.8W
Lens	B115 / B117
Selected Degree (°)θ1/2	40°
Input Voltage (V)	DC 12 24
Operating Current (MA)	12V=3700 24V=1850
Consumption (W)	45
Luminance (LM)	WW=3900
IK	08

## Linear Drawing



Unit: mm

## Specification

Front Cover + Housing	Hard chromeplated molding shaped stainless steel 316#
Light Window	PMMA 8mm
Gasket	Silicone Gasket
Cable Gland	IP68 PG-11 copper with nickel-coated
Operating Restrict	Temperature of water between -20°C~40°C Less than 2 meter depth
PCB	Excellent heat conductivity aluminum. coefficient of heat Conductivity≥2.0w/mk
Lens	Optical Lens,efficiency≥85%
LED Type	SMD
Driver	Built in on/off driver
Power Cable	Outside of luminaire (Without waterstopper) H07RN-F 2x1.0mm² L=3.0m
Dimming Support	External DALI supported TRIAC,0-10V, PWM via external driver on request

## Lens (Item Code)

Referenced Degree(°)θ1/2



20° 40° 60°

B115



20° 40° 60°

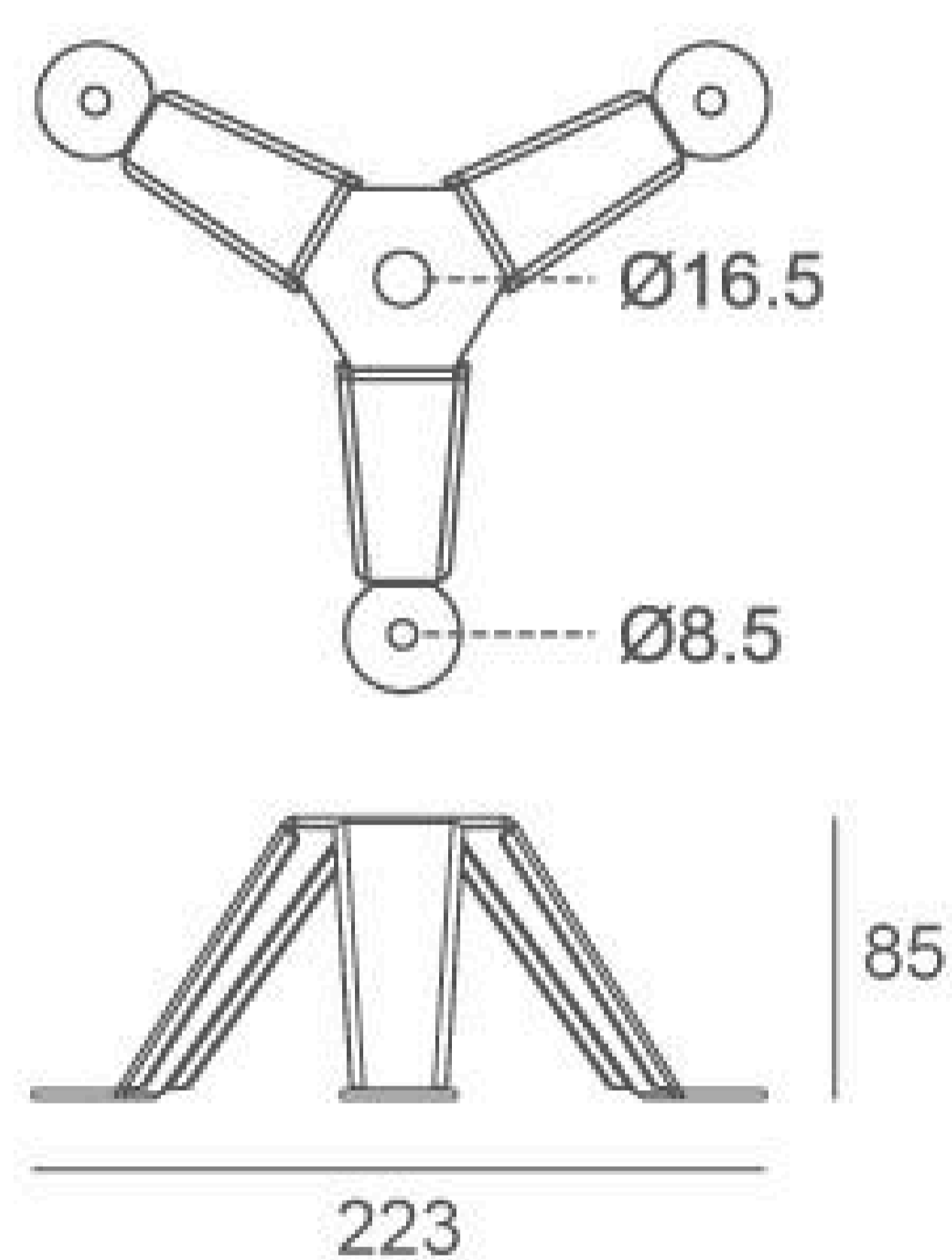
B117

## Optional (Accessory)

### Tripod

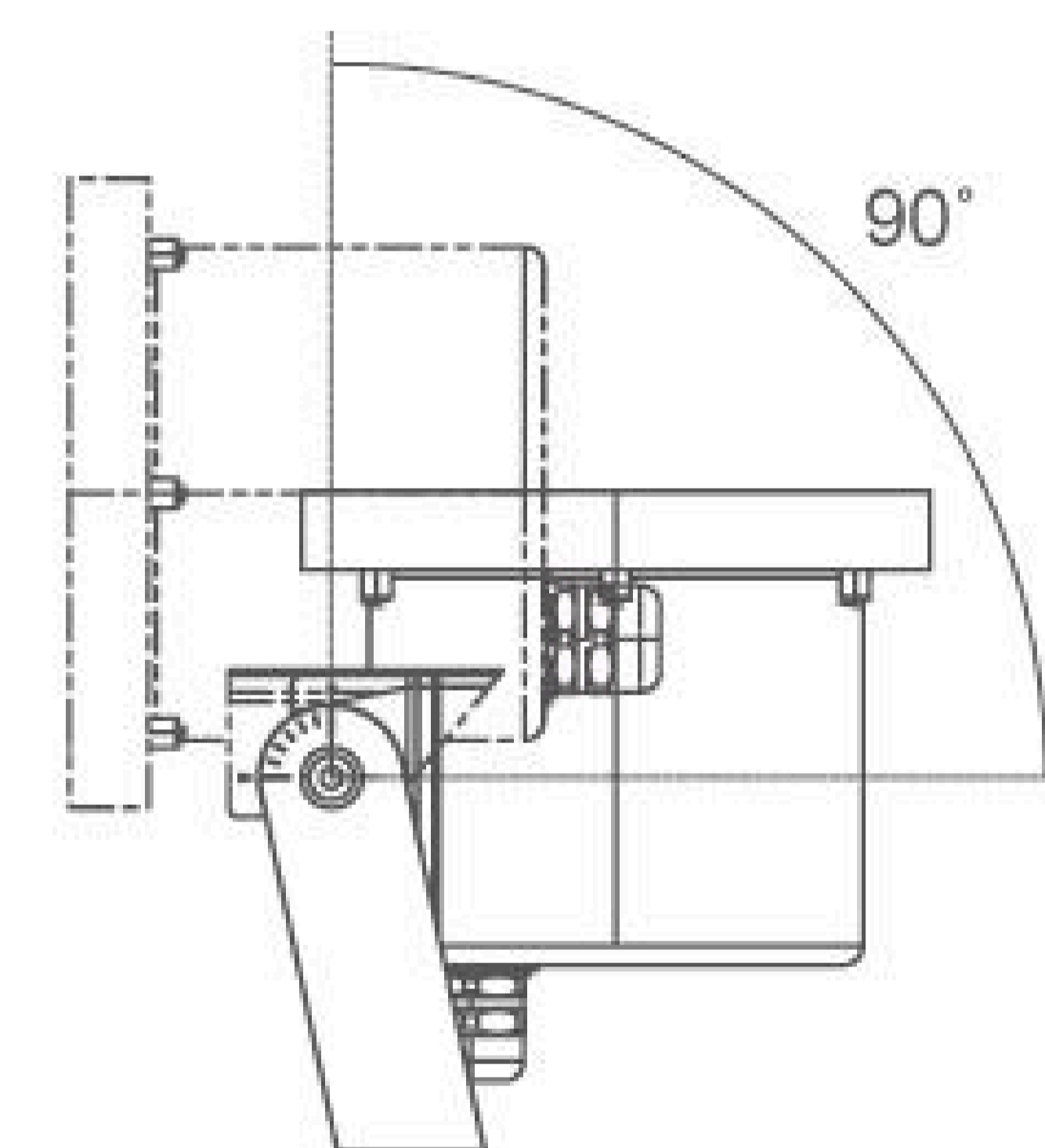


5003

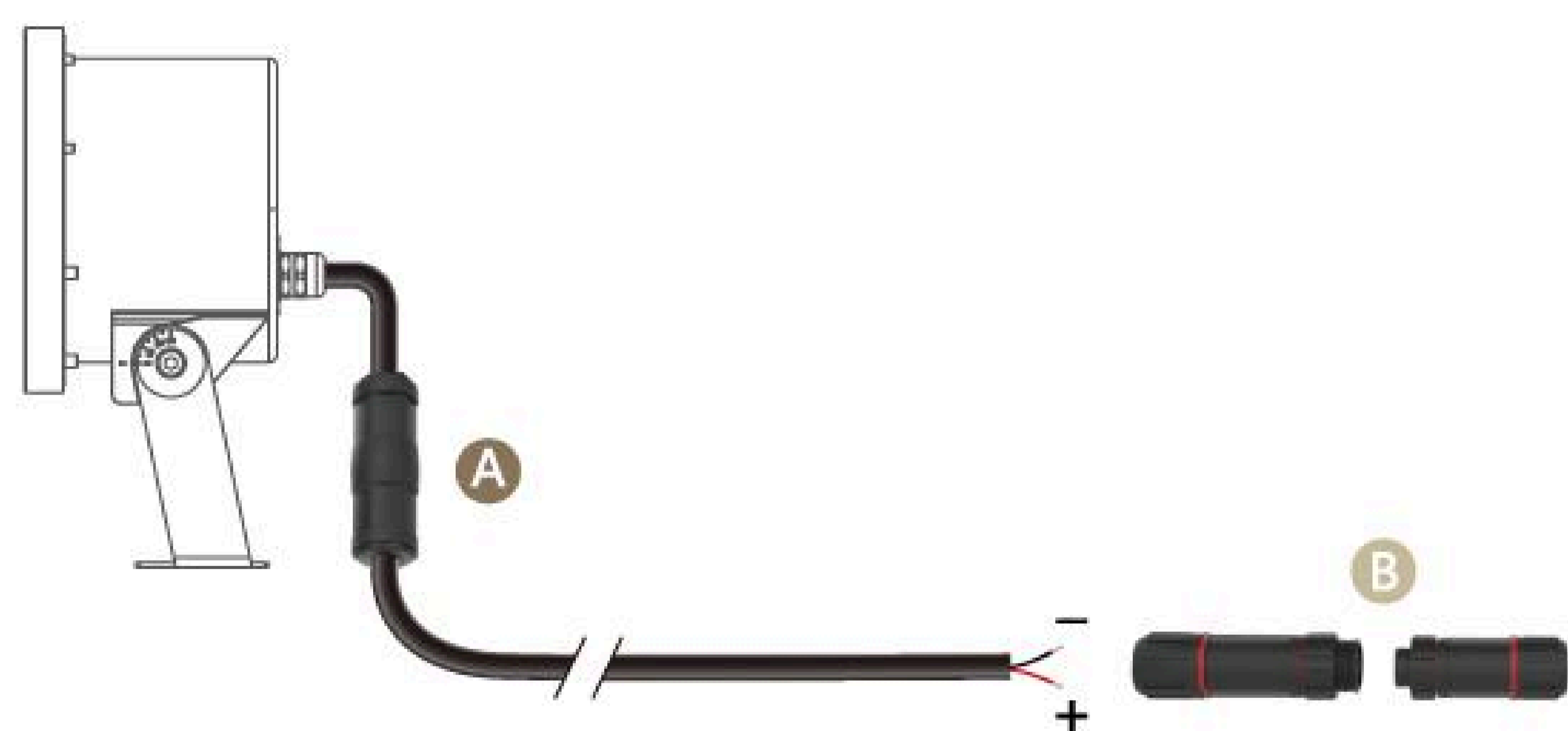


## Tiltable Directions

Approximately



## Water Proof Solution



### A Water-Stopper (Included)

The luminaires produce high temperatures during use, which can create negative pressure upon power-off, drawing water vapor through the power cable. Therefore, it is essential for the device to prevent water vapor ingress with water-stopper.

### B IP68 Jiffy quick plug/socket connector (Optional)

Along with water-stopper, this optional accessory acts as a fail-safe device for preventing vapor getting into the fixture via power cable. It is the also the most IP-rating securing device for wiring.

