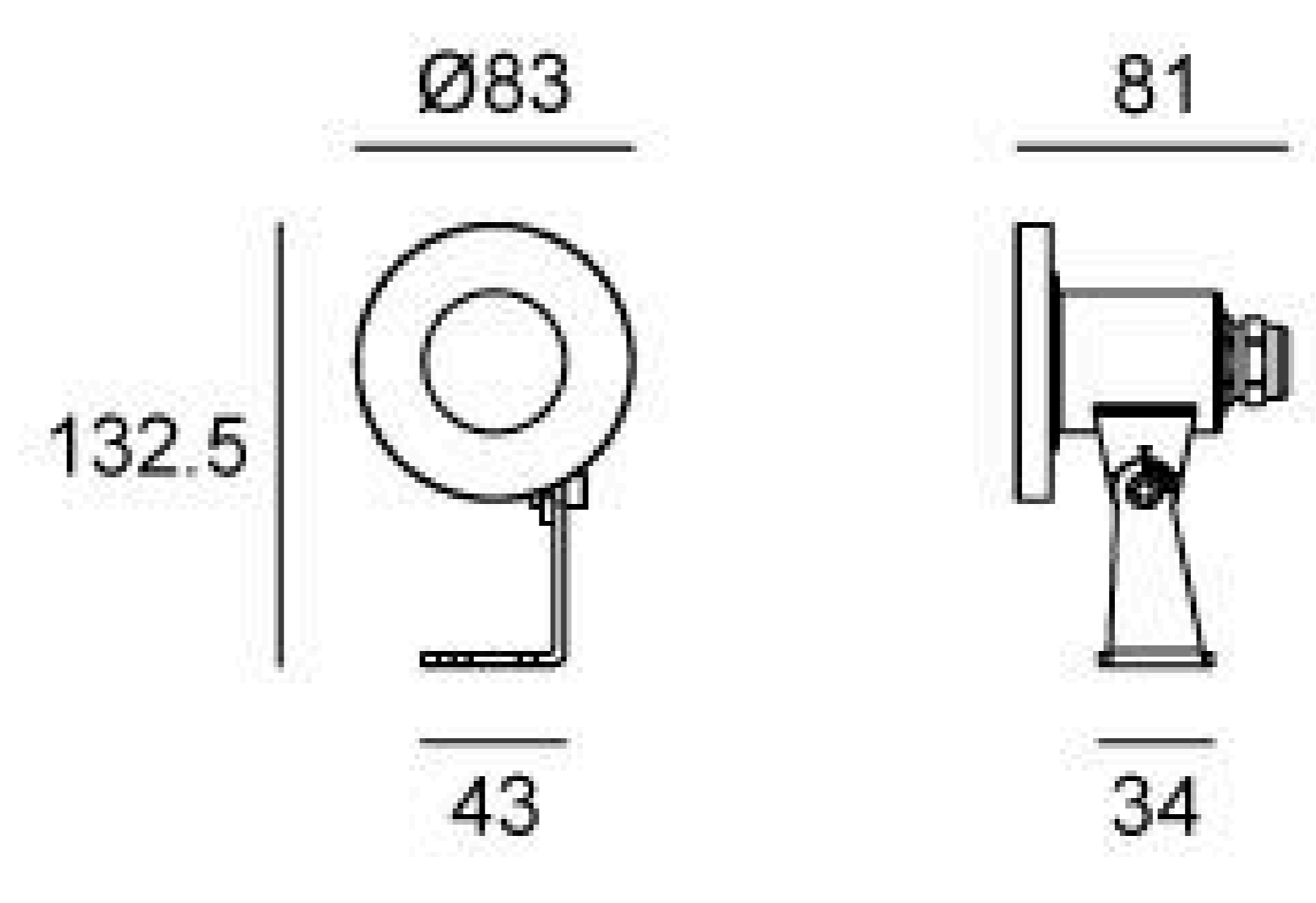


# 05AGB0126

|                         |                 |
|-------------------------|-----------------|
| Light Source            | 1x6W            |
| Lens                    | B106            |
| Selected Degree (°)θ1/2 | 24°             |
| Input Voltage (V)       | DC 12 24        |
| Operating Current (MA)  | 12V=616 24V=305 |
| Consumption (W)         | 7.4             |
| Luminance (LM)          | WW=520          |
| IK                      | 07              |

## Linear Drawing



Unit: mm

## Specification

|                       |   |
|-----------------------|---|
| Front Cover + Housing | Hard chromeplated molding shaped stainless steel 316#                       |
| Light Window          | PMMA 8mm  |
| Gasket                | Silicone Gasket   |
| Cable Gland           | IP68 PG-11 copper with nickel-coated  |
| Operating Temperature | Temperature of water between -20°C~40°C<br>Less than 2 meter depth          |
| Lens                  | Optical Lens, efficiency≥85%  |
| LED Type              | COB   |
| LED Driver            | Built in on/off driver  |
| Power Cable           | Outside of luminaire (Without waterstopper)<br>H07RN-F 2x1.0mm² L=3.0m      |
| Dimming Support       | External DALI supported<br>TRIAC, 0-10V, PWM via external driver on request |

## Lens (Item Code)

Referenced Degree(°)θ1/2



B106

18° 24° 36° 55°

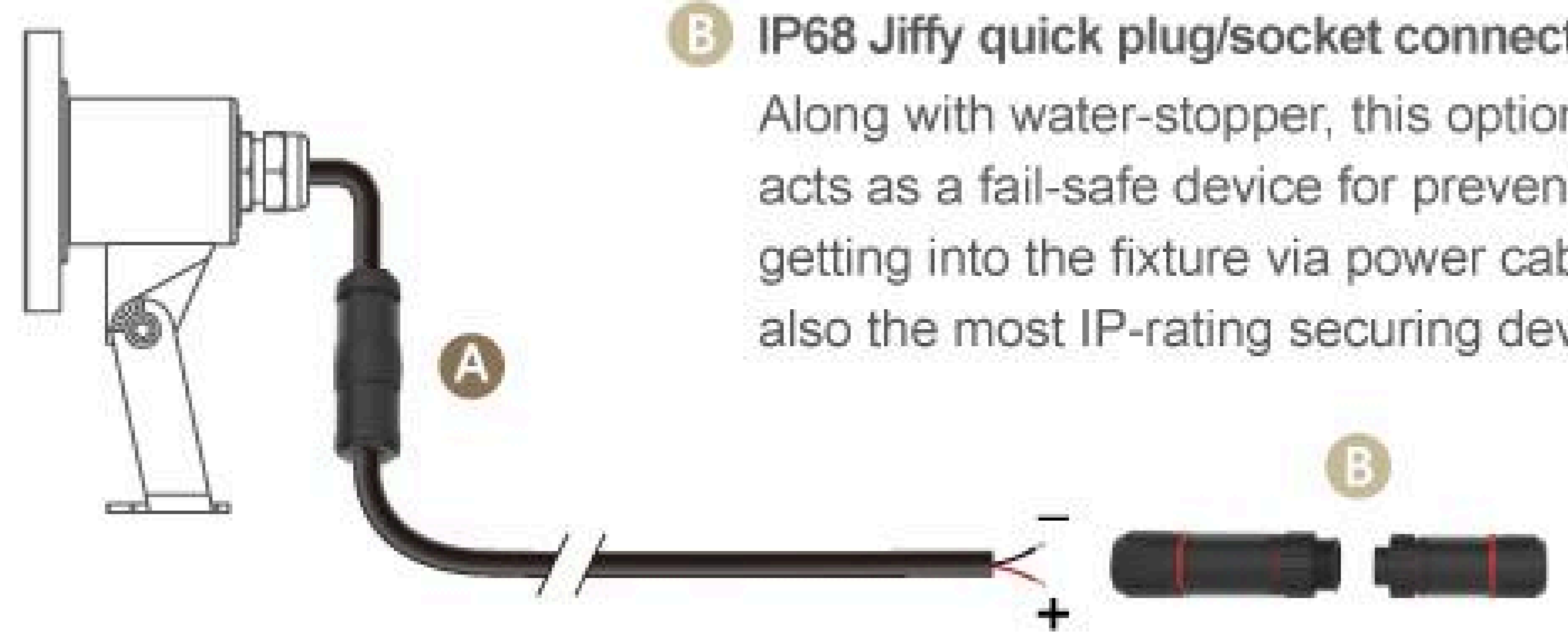
## Water Proof Solution

### A Water-Stopper (Included)

The luminaires produce high temperatures during use, which can create negative pressure upon power-off, drawing water vapor through the power cable. Therefore, it is essential for the device to prevent water vapor ingress with water-stopper.

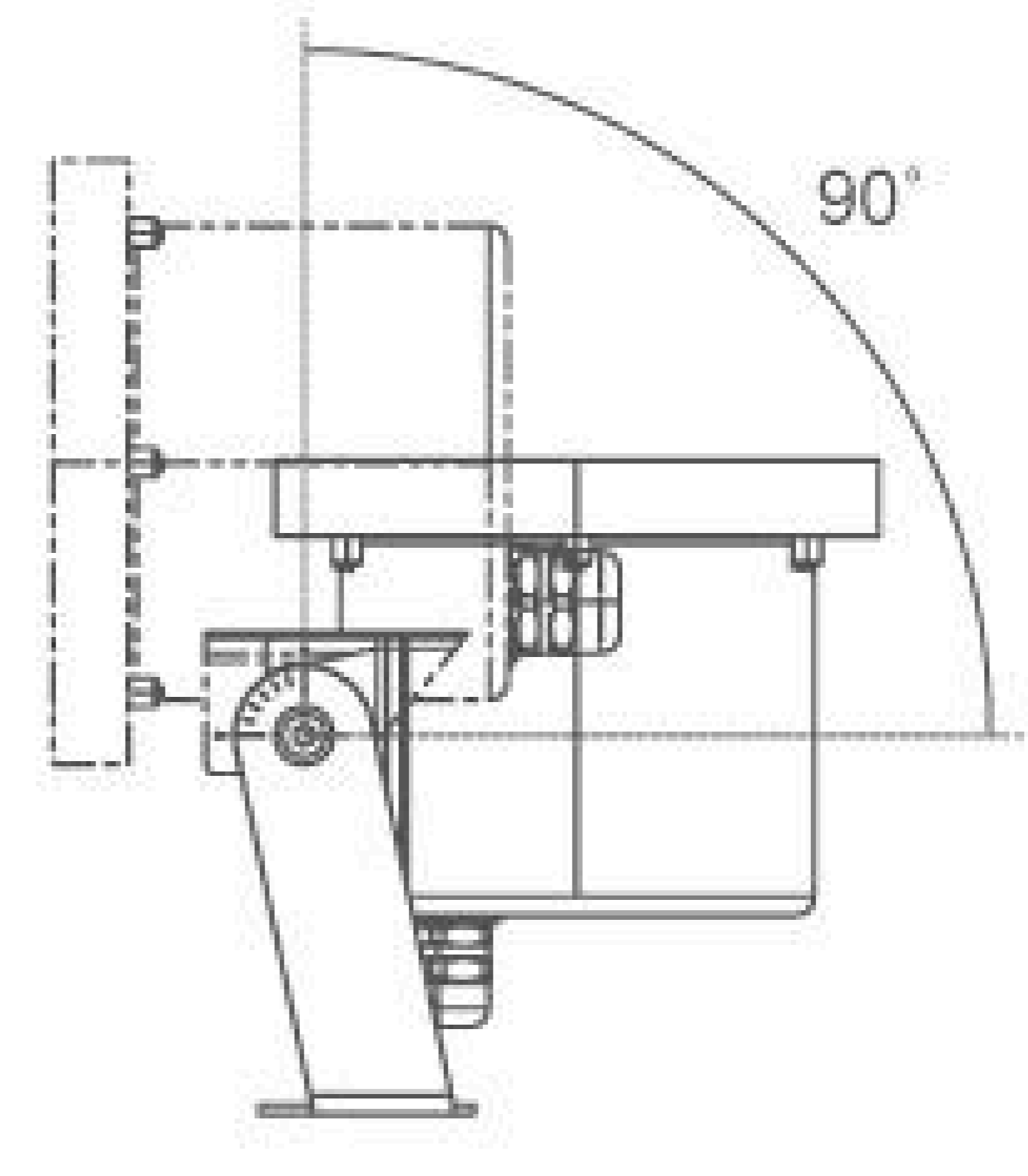
### B IP68 Jiffy quick plug/socket connector (Optional)

Along with water-stopper, this optional accessory acts as a fail-safe device for preventing vapor getting into the fixture via power cable. It is the also the most IP-rating securing device for wiring.



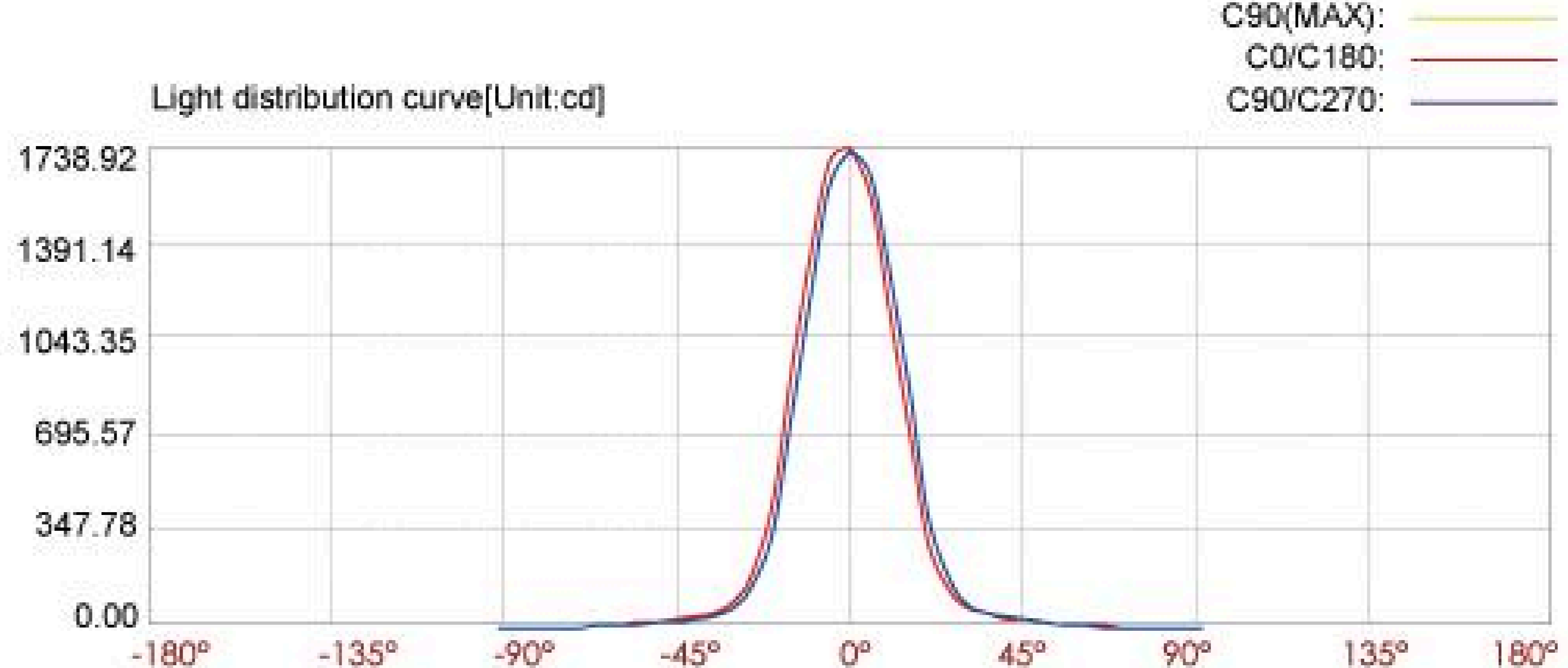
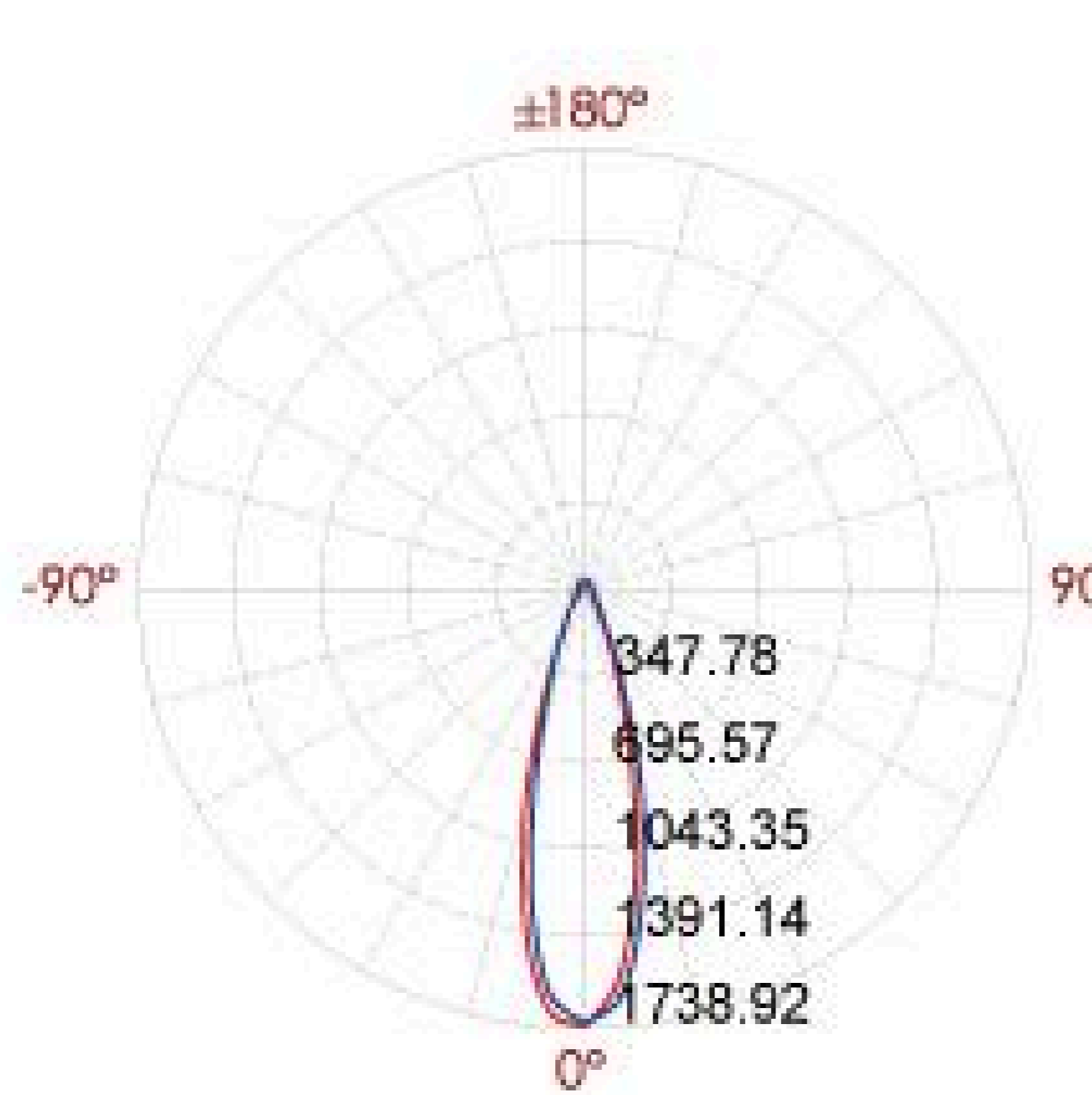
## Tiltable Directions

Approximately



## Photometric

|     |            |
|-----|------------|
| 12m | 12.08 LUX  |
| 11m |            |
| 10m | 17.39 LUX  |
| 9m  |            |
| 8m  | 27.17 LUX  |
| 7m  |            |
| 6m  | 43.30 LUX  |
| 5m  |            |
| 4m  | 108.68 LUX |
| 3m  |            |
| 2m  | 434.73 LUX |
| 1m  |            |



| Center beam LUX | Illuminance at a distance |              |
|-----------------|---------------------------|--------------|
|                 | Beam width V              | Beam width H |
| 2m              | 1.0m                      | 1.0m         |
| 4m              | 2.0m                      | 2.0m         |
| 6m              | 3.1m                      | 3.0m         |
| 8m              | 4.1m                      | 4.1m         |
| 10m             | 5.1m                      | 5.1m         |
| 12m             | 6.1m                      | 6.1m         |

Ver. Spread: 28.6 Horiz. Spread: 28.5