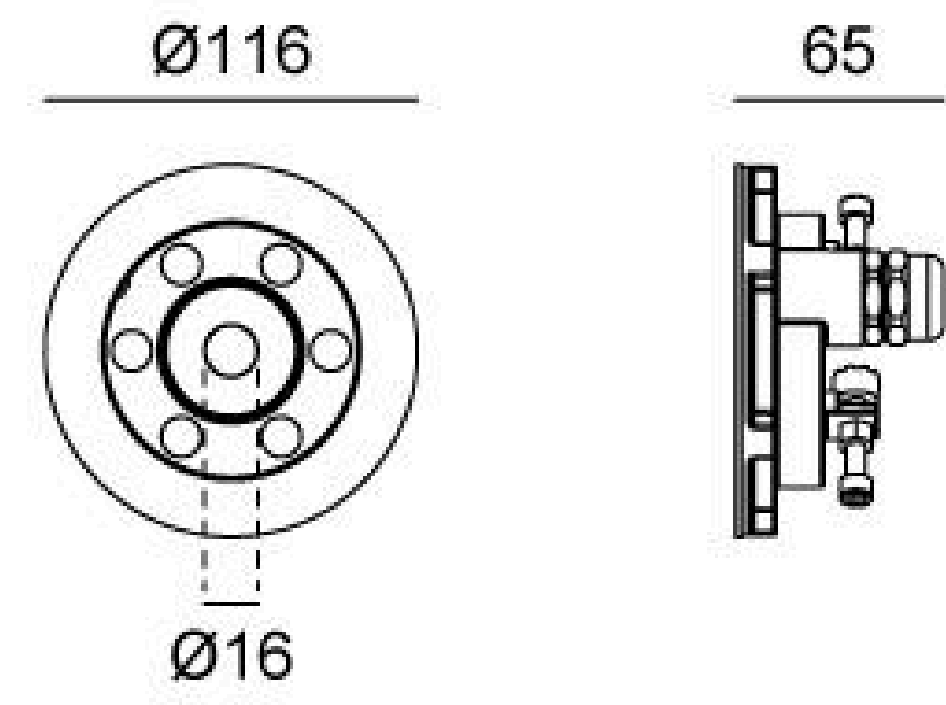


# 04UBB0657

Light Source	6x1.5W
Lens	B15
Selected Degree (°)θ1/2	15°
Input Voltage (V)	DC 12 24
Operating Current (MA)	12V=1000 24V=500
Consumption (W)	12
Luminance (LM)	VW=825
IK	08

## Linear Drawing



Unit: mm

## Specification

Housing	Hard chromeplated molding shaped Stainless steel 316L#
Light Window	Step tempered Glass. T=10mm
Cable Gland	IP68 M20 copper with nickel-coated
Gasket	Silicone Gasket
PCB	Excellent heat conductivity aluminum.coefficient of heat Conductivity≥2.0w/mk
LED Type	SMD
Operating Temperature	Temperature of water between -20°C~40°C Less than 2 meter depth
LED Driver	Built in on/off driver
Glass Pressure Capacity	1715 kgs
Built-In Overheat Sensor System	Automatic Shutdown at 75°C

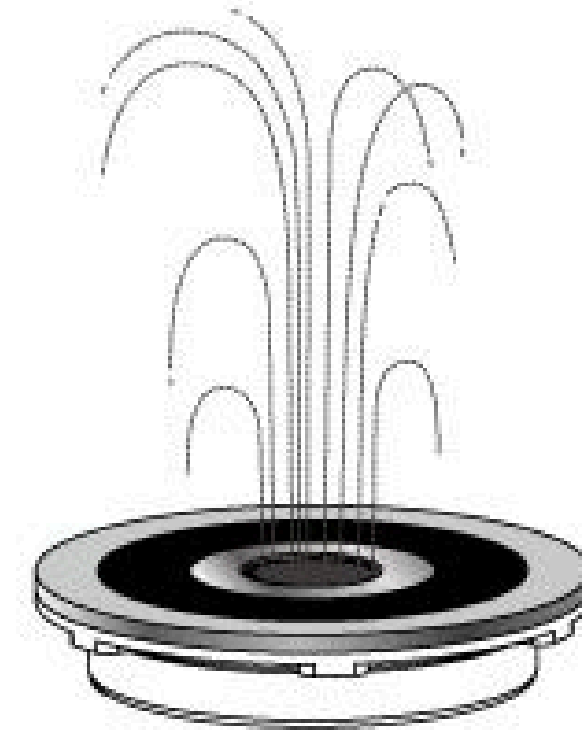
## Lens (Item Code)

Referenced Degree(°)θ1/2



B15

10° 15° 20° 30°

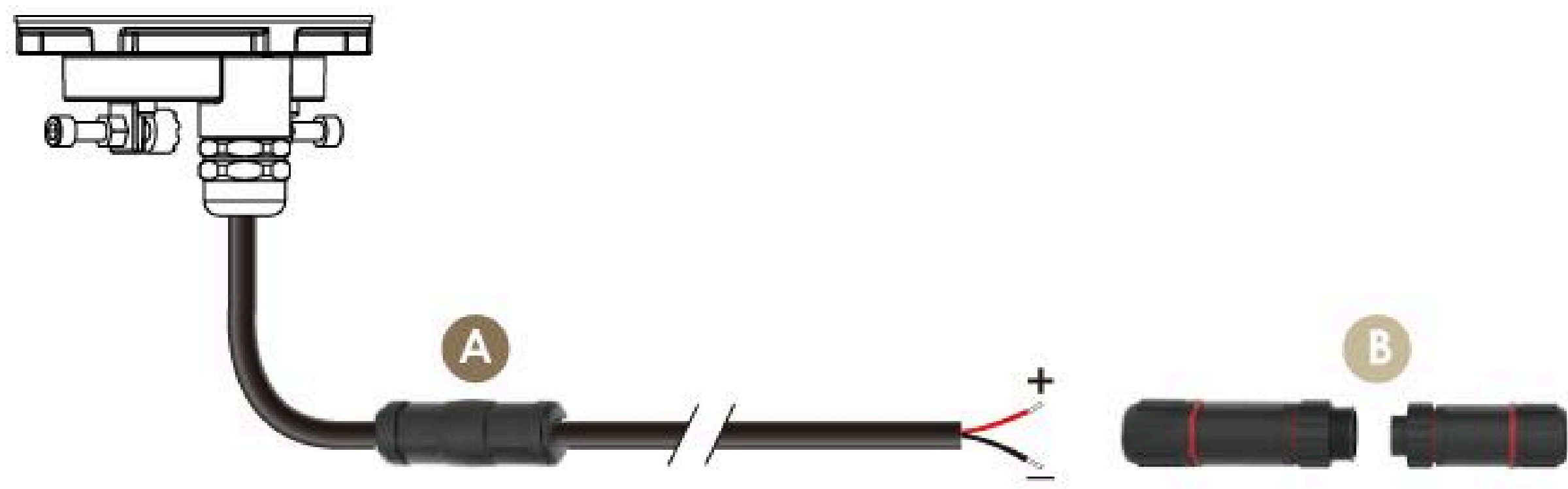


Central Ejective



Fitting pipe diameter Ø16mm

## Water proof Solution

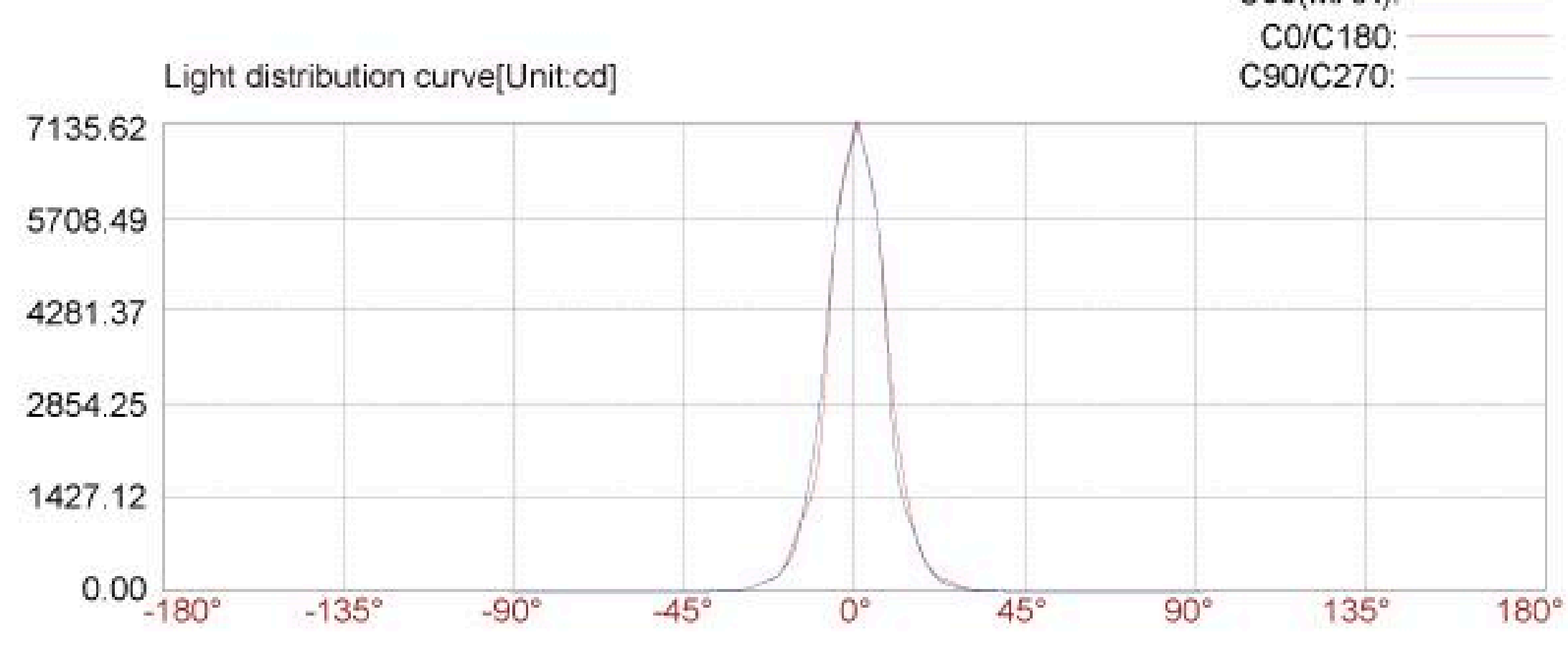
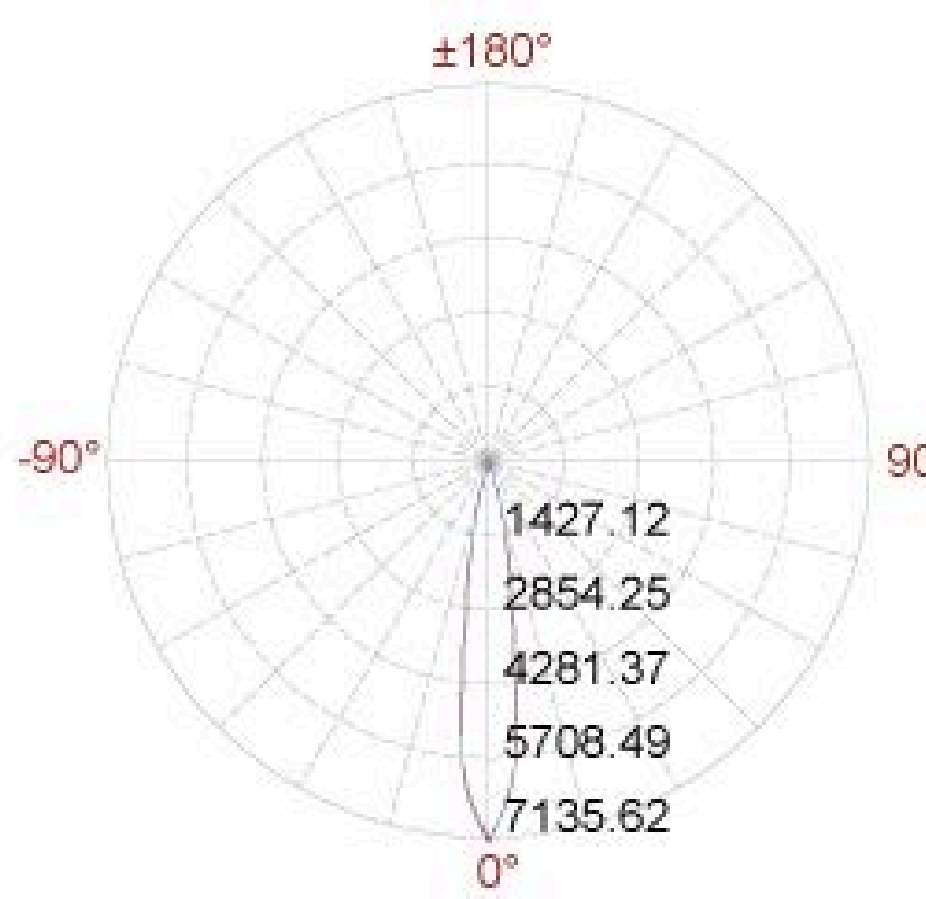


- A Water-Stopper(Included)**  
The luminaires produce high temperatures during use, which can create negative pressure upon power-off, drawing water vapor through the power cable. Therefore, it is essential for the device to prevent water vapor ingress with water-stopper.
- B IP67 Jiffy quick plug/socket connector(Option)**  
Along with water-stopper, this optional accessory acts as a fail-safe device for preventing vapor getting into the fixture via power cable. It is also the most IP rating securing device for wiring.



## Photometric

12m	49.55 LUX
11m	
10m	71.36 LUX
9m	
8m	111.19 LUX
7m	
6m	198.21 LUX
5m	
4m	445.98 LUX
3m	
2m	1783.90 LUX
1m	



Lux distance curve

Distance (m)	Center beam LUX	Beam width V (m)	Beam width H (m)
2	1783.90 LUX	0.6m	0.6m
4	445.98 LUX	1.1m	1.2m
6	198.21 LUX	1.7m	1.7m
8	111.49 LUX	2.3m	2.3m
10	71.36 LUX	2.9m	2.9m
12	49.55 LUX	3.4m	3.5m

Ver. Spread: 23.4 Horiz. Spread: 22.9