

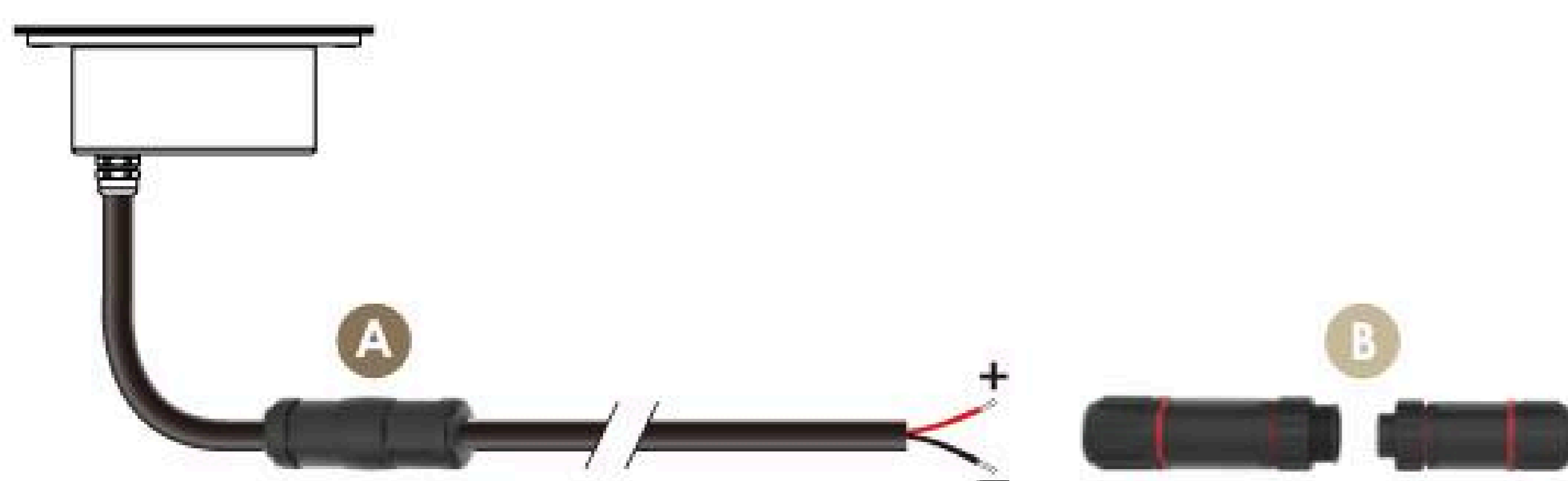
## 04TKB1057

Light Source	10x1.8W
Lens	B27
Selected Degree (°)θ1/2	15°
Input Voltage (V)	DC 24
Operating Current (MA)	24V=833
Consumption (W)	24V=20
Luminance (LM)	VVV=1607
IK	09

### Specification

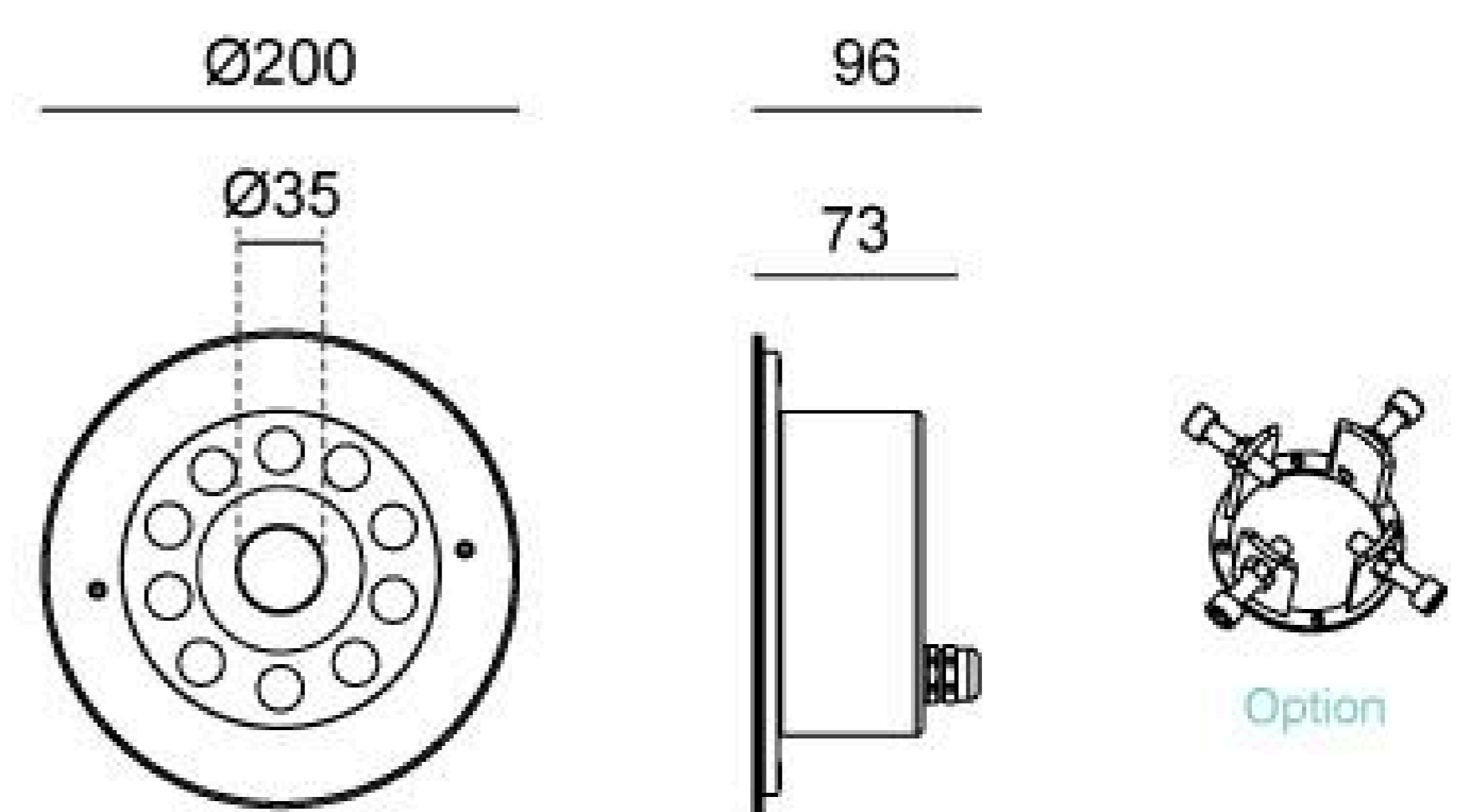
Housing	Hard chromeplated molding shaped Stainless steel 316L#
Light Window	Step tempered Glass. T=10mm
Cable Gland	IP68 M20 copper with nickel-coated
Gasket	Silicone Gasket
PCB	Excellent heat conductivity aluminum.coefficient of heat Conductivity≥2.0w/mk
LED Type	SMD
Operating Temperature	Temperature of water between -20°C~40°C Less than 2 meter depth
LED Driver	Built in on/off driver
Glass Pressure Capacity	1802 kgs
Built-In Overheat Sensor System	Automatic Shutdown at 75°C

### Water Proof Solution



- A Water-Stopper(Included)**  
The luminaires produce high temperatures during use, which can create negative pressure upon power-off, drawing water vapor through the power cable. Therefore, it is essential for the device to prevent water vapor ingress with water-stopper.
- B IP67 Jiffy quick plug/socket connector(Option)**  
Along with water-stopper, this optional accessory acts as a fail-safe device for preventing vapor getting into the fixture via power cable. It is the also the most IPrating securing device for wiring.

### Linear Drawing



Unit: mm

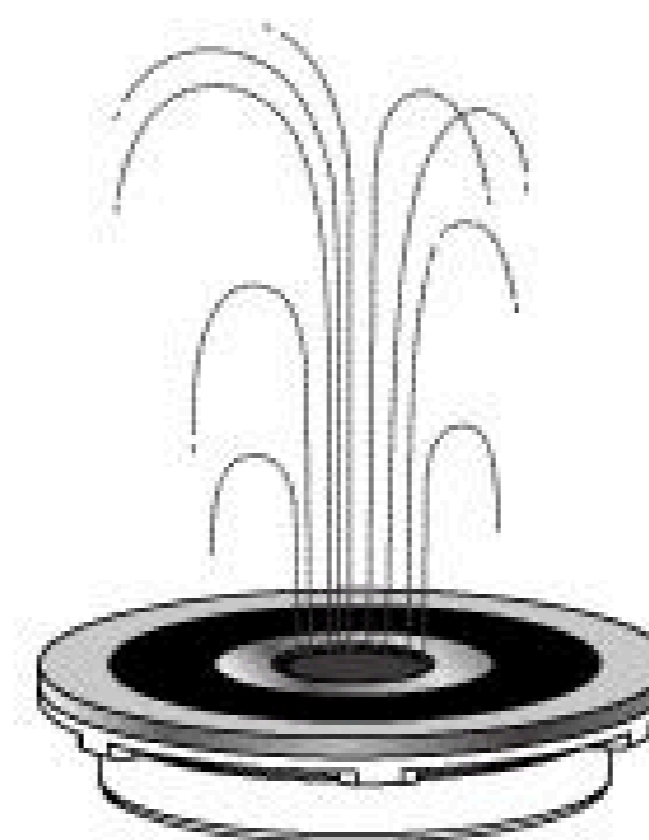
### Lens (Item Code)

Referenced Degree(°)θ1/2



B27

8° 15° 20° 30° 50°



Central Ejective



Fitting pipe diameter Ø35mm

