

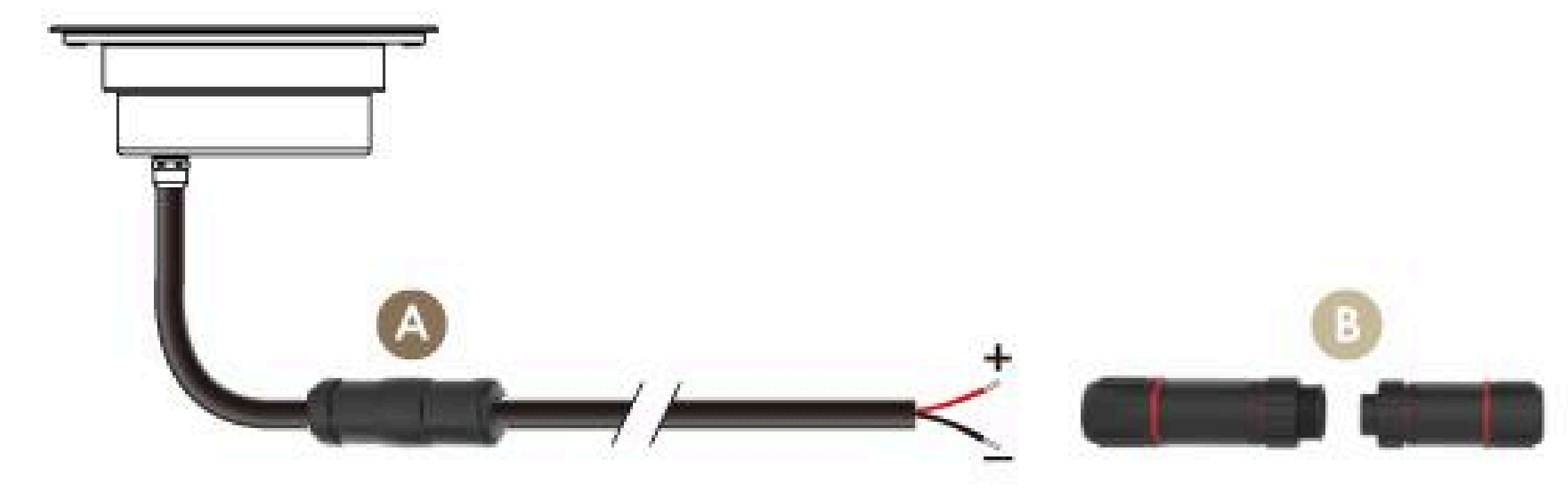
# 04THB1058

Light Source	10x3W
Lens	B92
Selected Degree (°)θ1/2	15°
Input Voltage (V)	DC 24
Operating Current (MA)	24V=1458
Consumption (W)	24V=35
Luminance (LM)	VW=2678
IK	09

## Specification

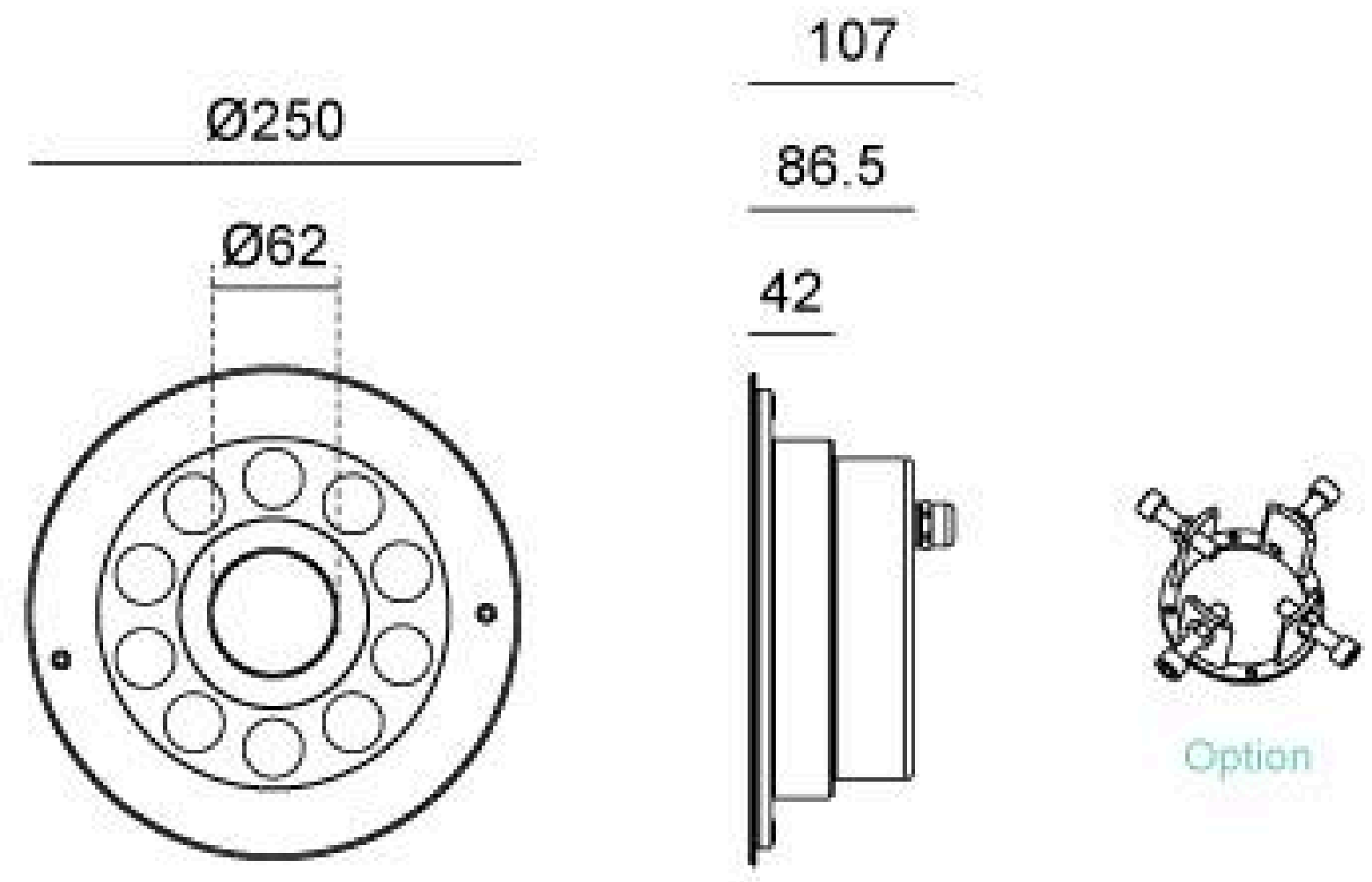
Housing	Hard chromeplated molding shaped Stainless steel 316L#
Light Window	Step tempered Glass. T=10mm
Cable Gland	IP68 M20 copper with nickel-coated
Gasket	Silicone Gasket
PCB	Excellent heat conductivity aluminum.coefficient of heat Conductivity≥2.0w/mk
LED Type	SMD
Operating Temperature	Temperature of water between -20°C~40°C Less than 2 meter depth
LED Driver	Built in on/off driver
Glass Pressure Capacity	1500 kgs
Built-In Overheat Sensor System	Automatic Shutdown at 75°C

## Water Proof Solution



- A Water-Stopper(Included)**  
The luminaires produce high temperatures during use, which can create negative pressure upon power-off, drawing water vapor through the power cable. Therefore, it is essential for the device to prevent water vapor ingress with water-stopper.
- B IP67 Jiffy quick plug/socket connector(Optional)**  
Along with water-stopper, this optional accessory acts as a fail-safe device for preventing vapor getting into the fixture via power cable. It is the also the most IPrating securing device for wiring.

## Linear Drawing

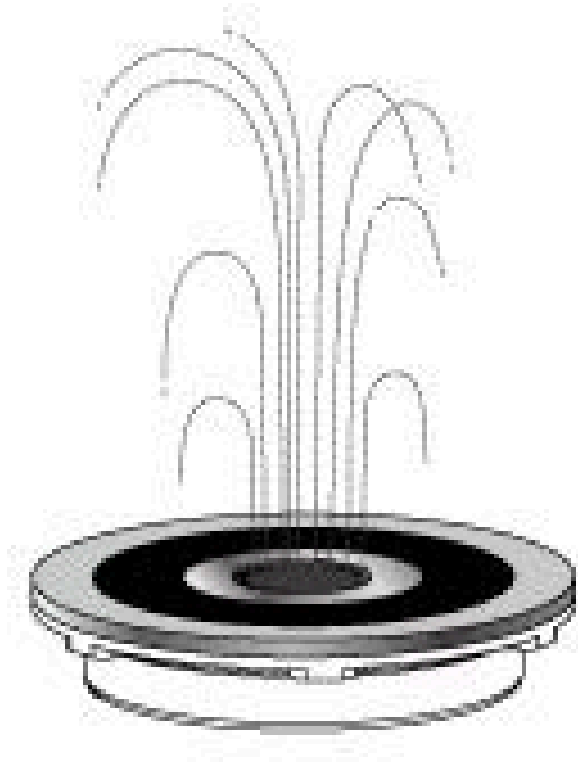


Unit: mm

## Lens (Item Code) Referenced Degree(°)θ1/2



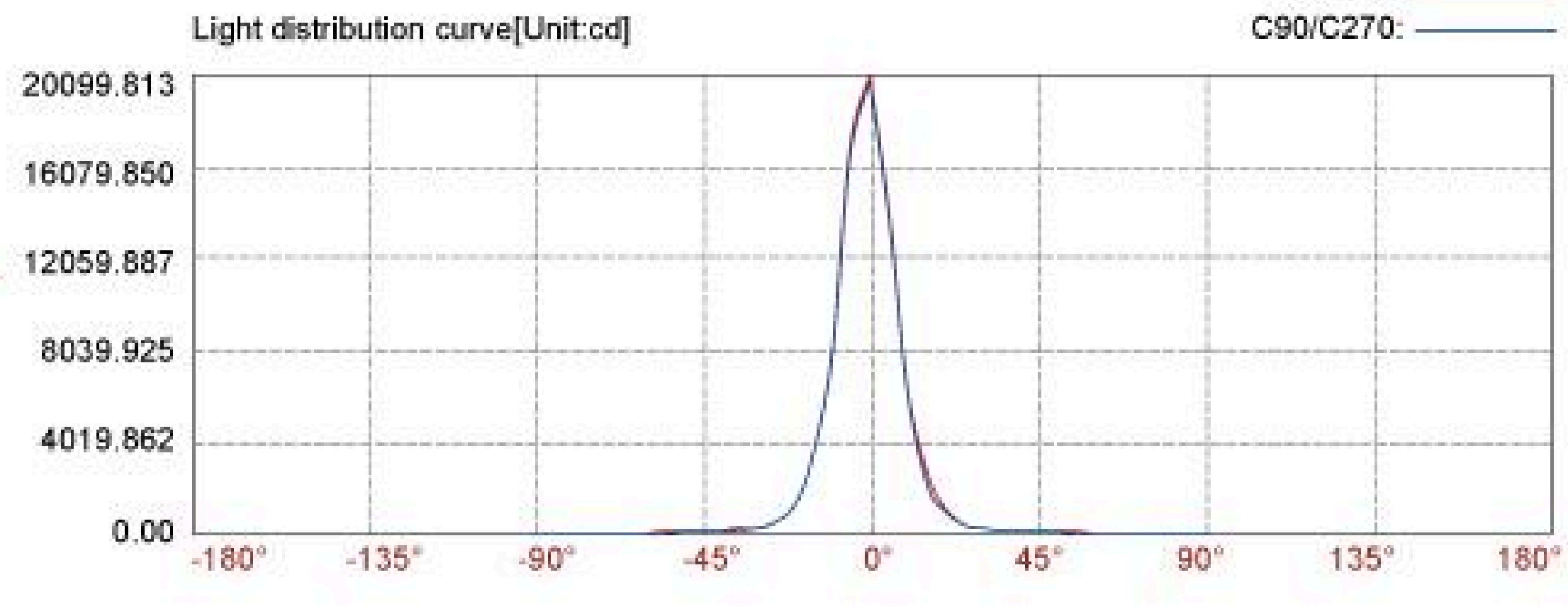
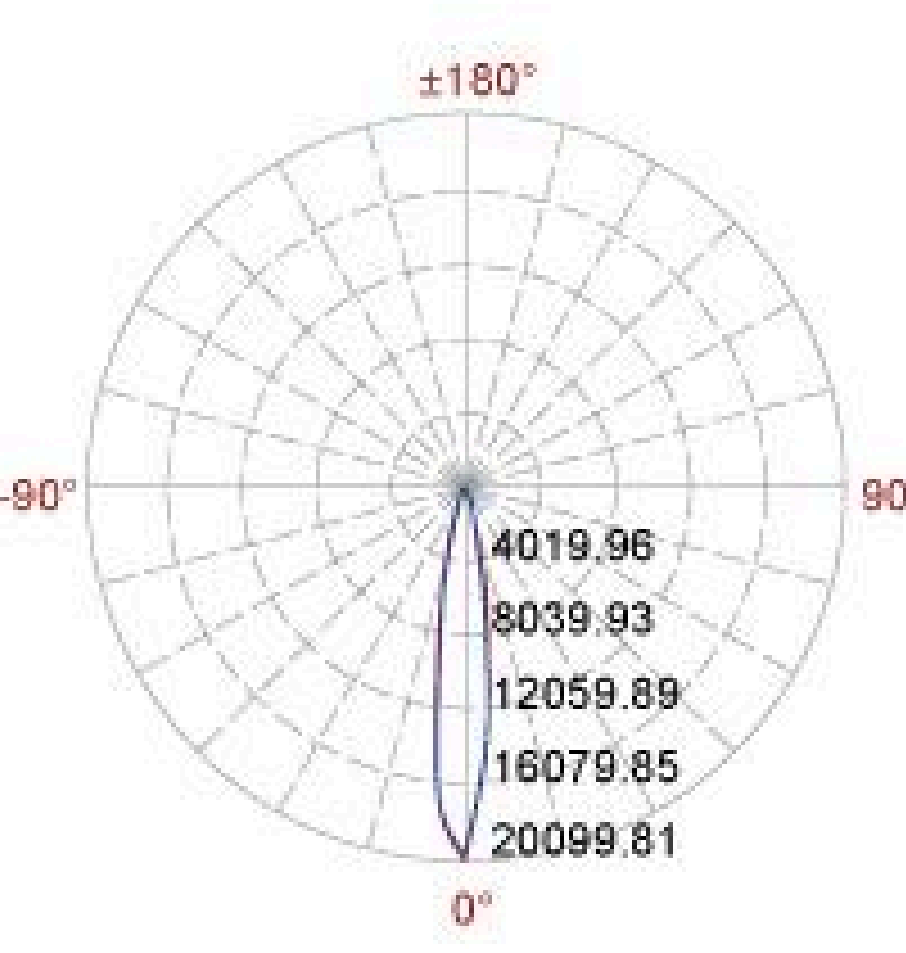
10° 25° 30° 36°



## Photometric

12m	137.74 LUX
11m	
10m	198.35 LUX
9m	
8m	309.92 LUX
7m	
6m	550.96 LUX
5m	
4m	1239.66 LUX
3m	
2m	4958.65 LUX
1m	

04THB1058 (10x3W-B92-15°)



Lux distance curve

Center beam LUX	Beam width V	H
2m 4958.65 LUX	0.6m	0.6m
4m 1239.66 LUX	1.2m	1.1m
6m 550.96 LUX	1.7m	1.7m
8m 309.92 LUX	2.3m	2.9m
10m 198.35 LUX	2.9m	2.9m
12m 137.74 LUX	3.5m	3.4m

Var.Spread:16.5 Horiz.Spread:16.3