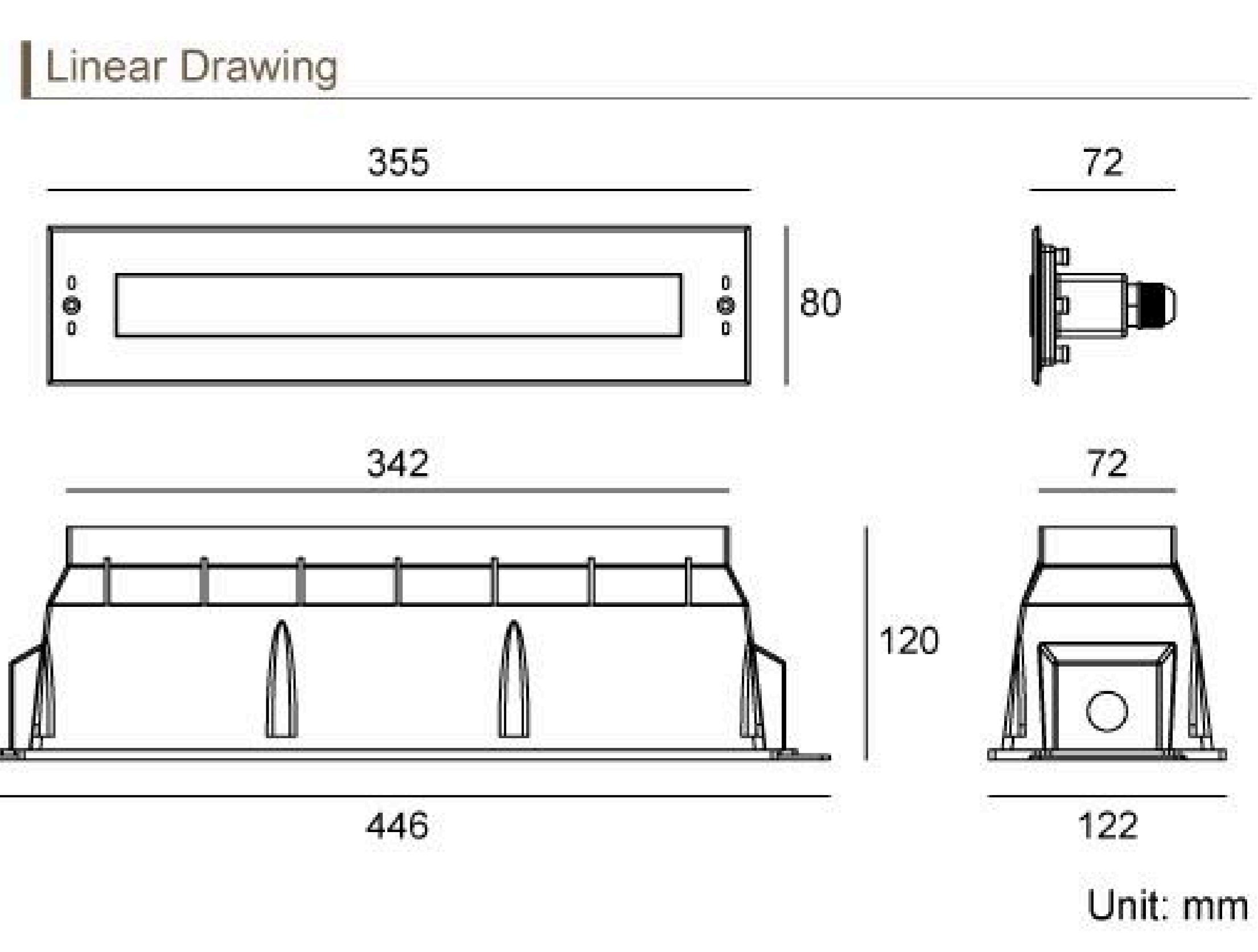
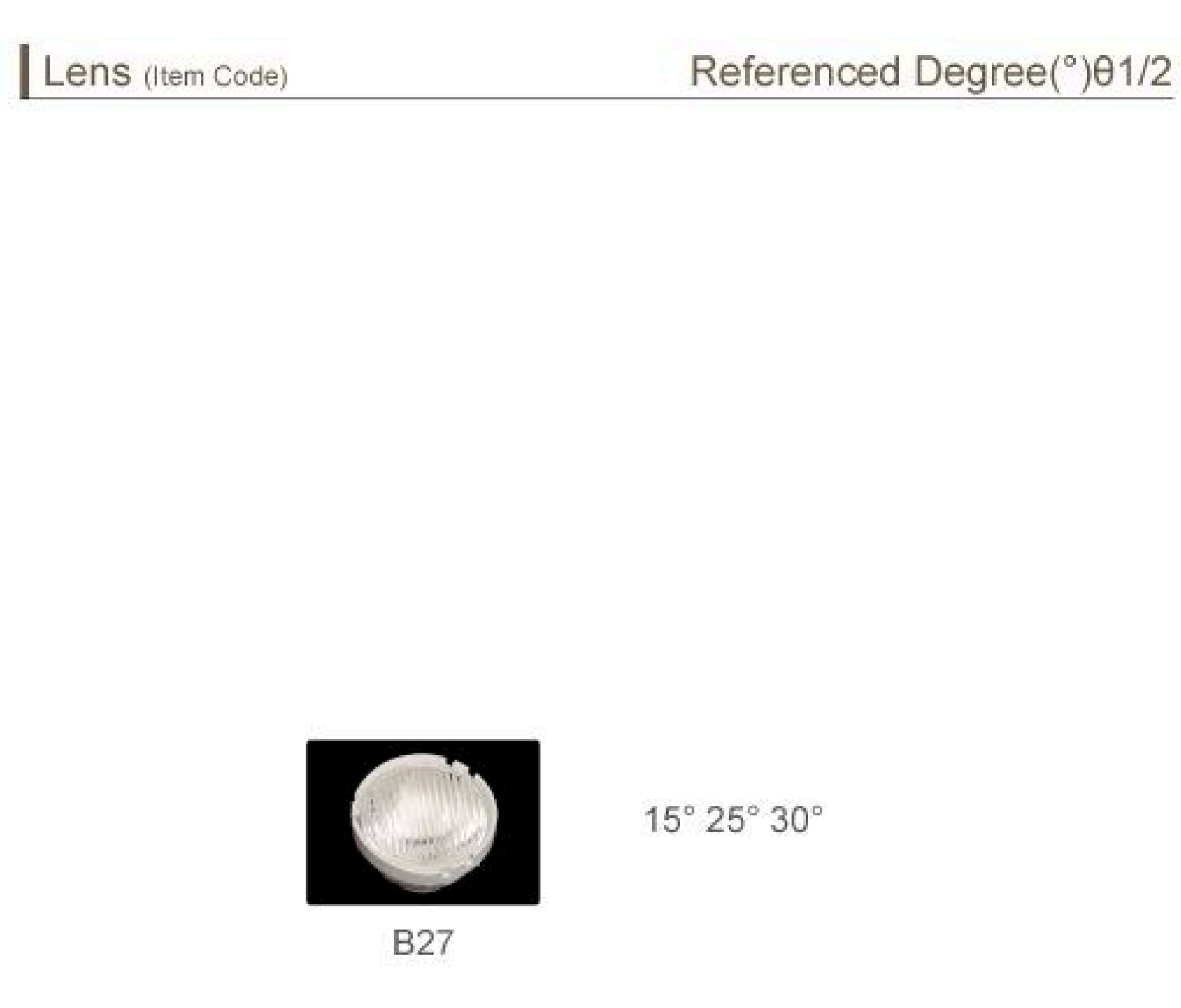


|                         |                  |
|-------------------------|------------------|
| <b>04QAB0658K</b>       |                  |
| Light Source            | 6x3W             |
| Lens                    | B27              |
| Selected Degree (°)θ1/2 | 30°              |
| Input Voltage (V)       | DC 12 24         |
| Operating Current (MA)  | 12V=1900 24V=950 |
| Consumption (W)         | 22.8             |
| Luminance (LM)          | CW=1578 WW=1320  |
| IK                      | 09               |

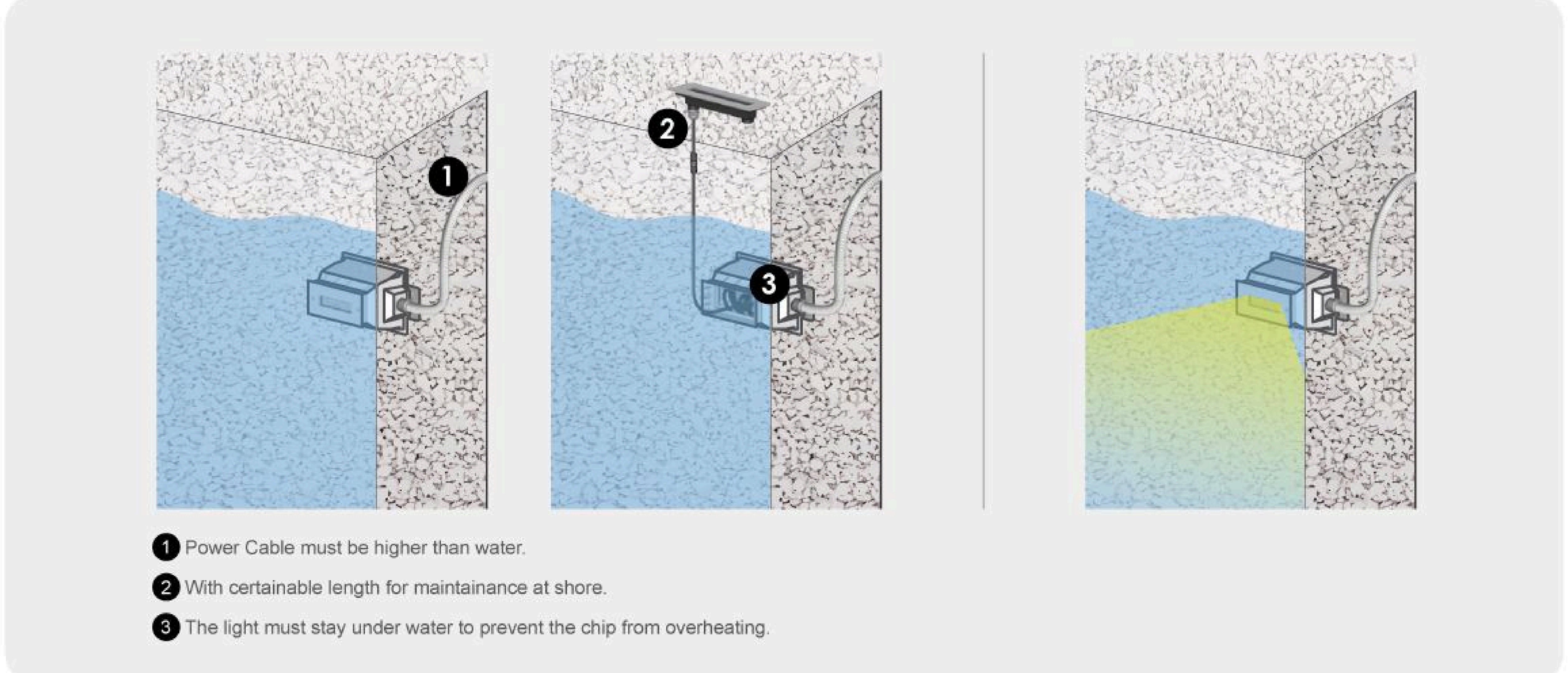
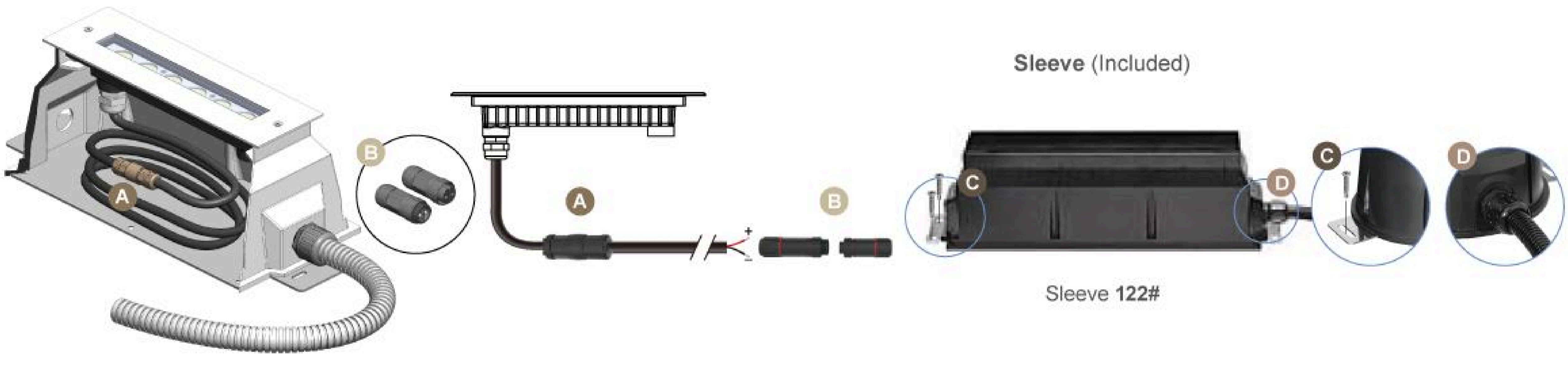


|                         |  |
|-------------------------|--|
| <b>Specification</b>    |  |
| Front Cover & Housing   | Molding shaped 316L# Stainless steel Housing                                   |
| Light Window            | PC   |
| Cable Gland             | IP68 PG-11 copper with nickel-coated   |
| Gasket                  | EPDM Gasket  |
| Sleeve                  | PC/ABS ALLOYS  |
| Operating Temperature   | Temperature of water between -20°C~40°C<br>Less than 2 meter depth             |
| PCB                     | Excellent heat conductivity aluminum .coefficient of heat Conductivity≥2.0w/mk |
| Lens                    | Optical Lens,efficiency≥85%  |
| LED Type                | SMD  |
| LED Driver              | Built in on/off driver   |
| Glass Pressure Capacity | 8949kgs  |
| Power Cable Optional    | H07RN-F 2×1.0mm² with water-stopper, L=1m, 3m, 5m                              |
| Dimming Support         | External DALI supported TRIAC,0-10V, PWM via external driver on request        |



**Water proof Solution**

- A Water-Stopper(Included)**  
The luminaires produce high temperatures during use, which can create negative pressure upon power-off, drawing water vapor through the power cable. Therefore, it is essential for the device to prevent water vapor ingress with water-stopper.
- B IP68 Jiffy quick plug/socket connector(Optional)**  
Along with water-stopper, this optional accessory acts as a fail-safe device for preventing vapor getting into the fixture via power cable. It is the also the most IP-rating securing device for wiring.
- C Fixator:**  
Easier mounting sleeve installment.
- D IP68 cable gland:**  
Prevents water from getting into the cable tube. P.s: Please prepare your own cable tube.



**Photometric**

