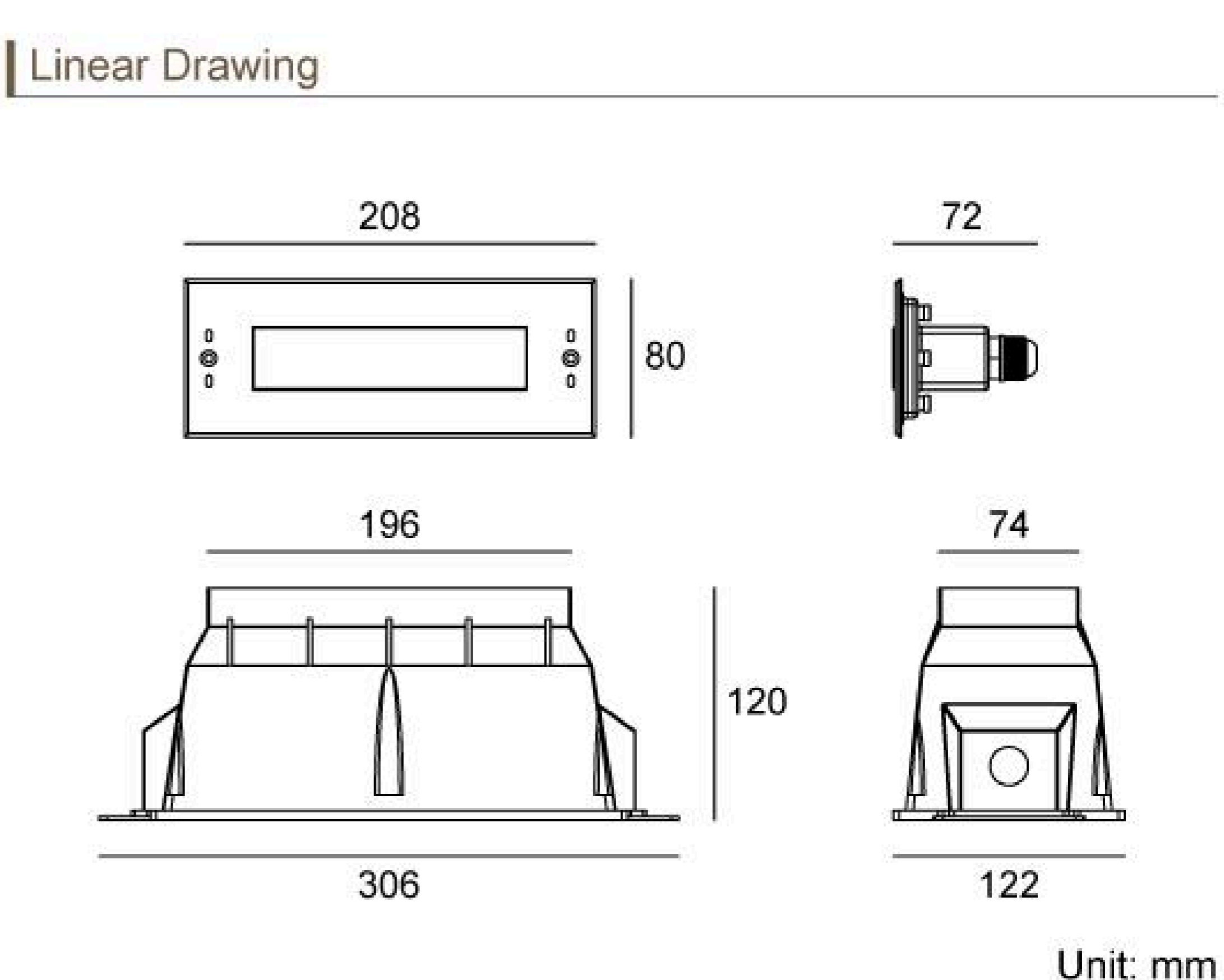
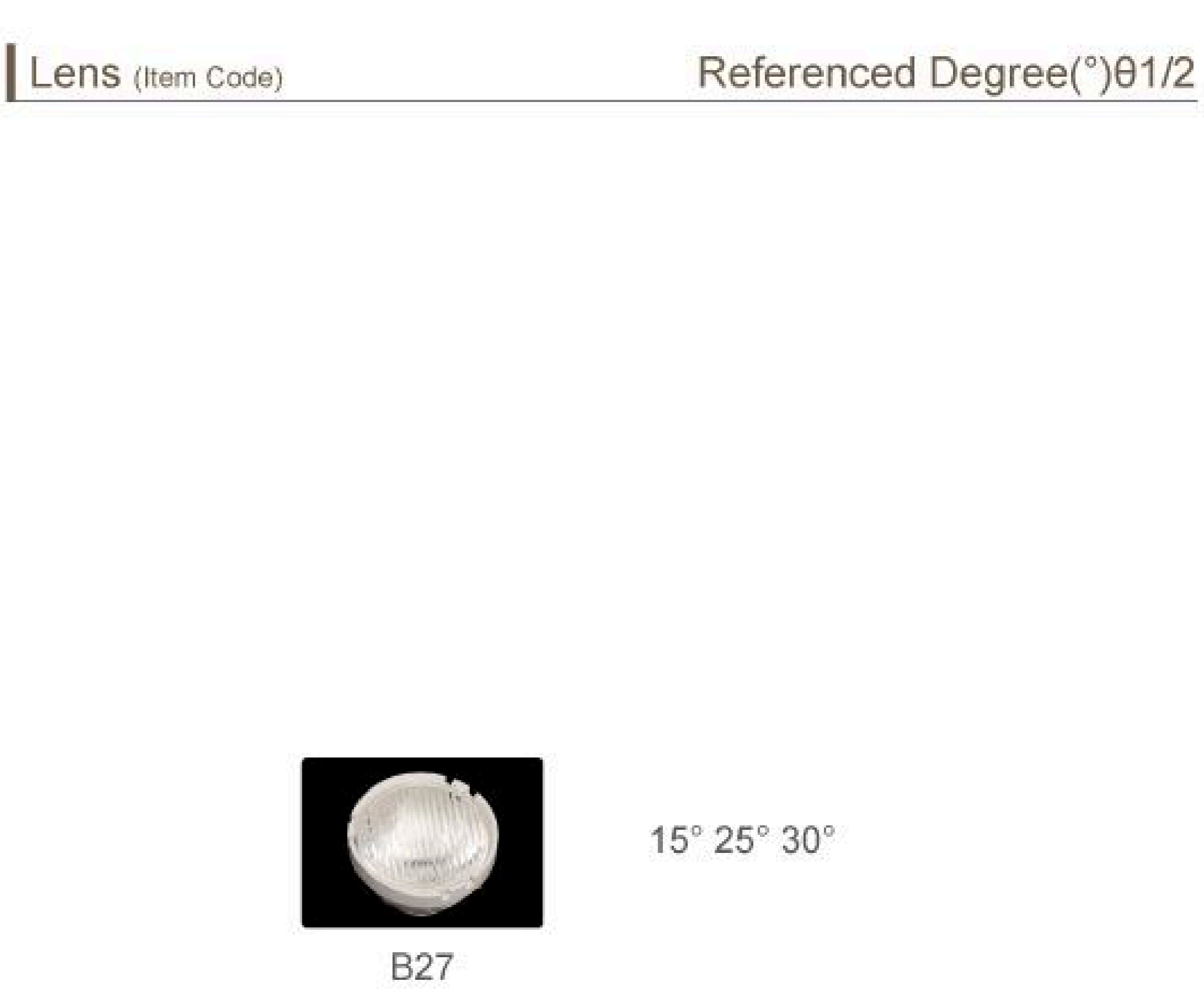


<b>04QAB0358K</b>	
Light Source	3x4W
Lens	B27
Selected Degree (°)θ1/2	30°
Input Voltage (V)	DC 12 24
Operating Current (MA)	12V=1066 24V=535
Consumption (W)	12.8
Luminance (LM)	VV=1000
IK	09

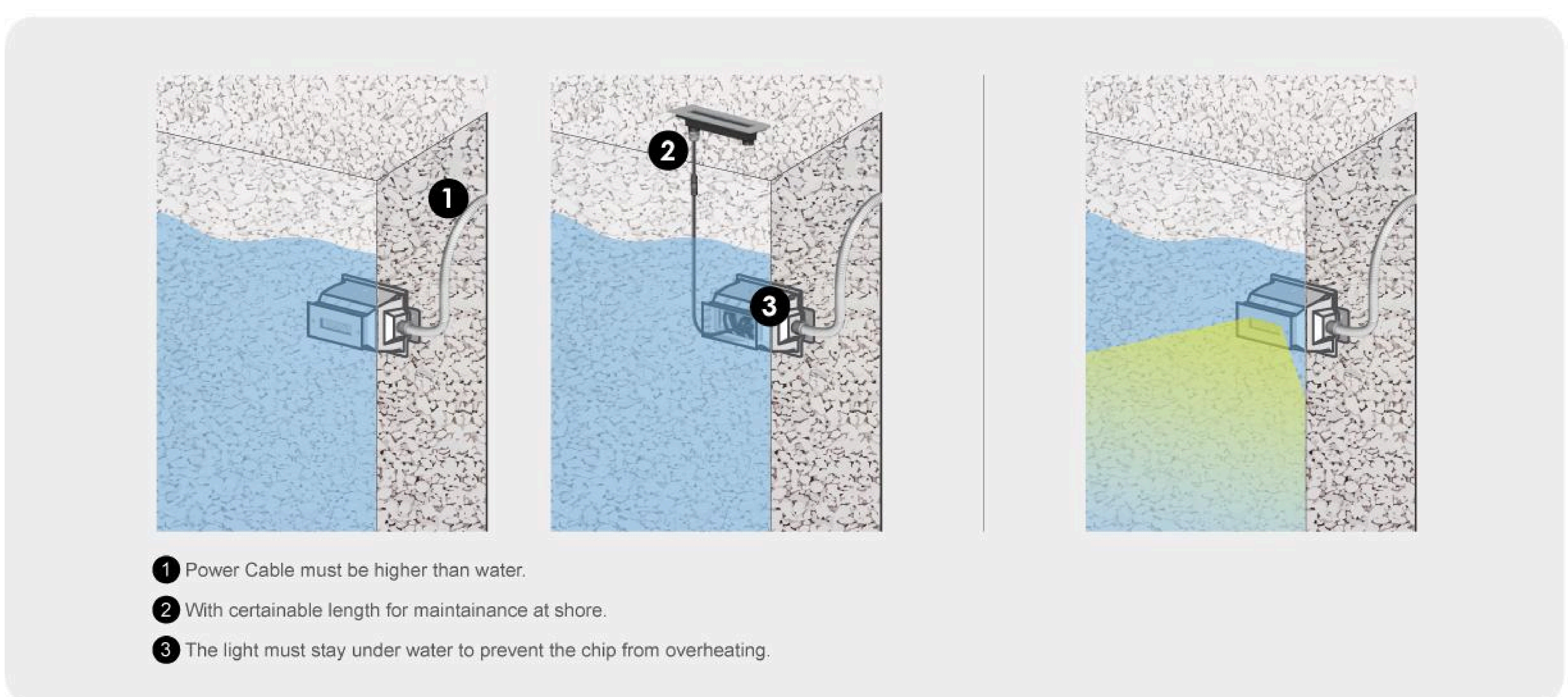
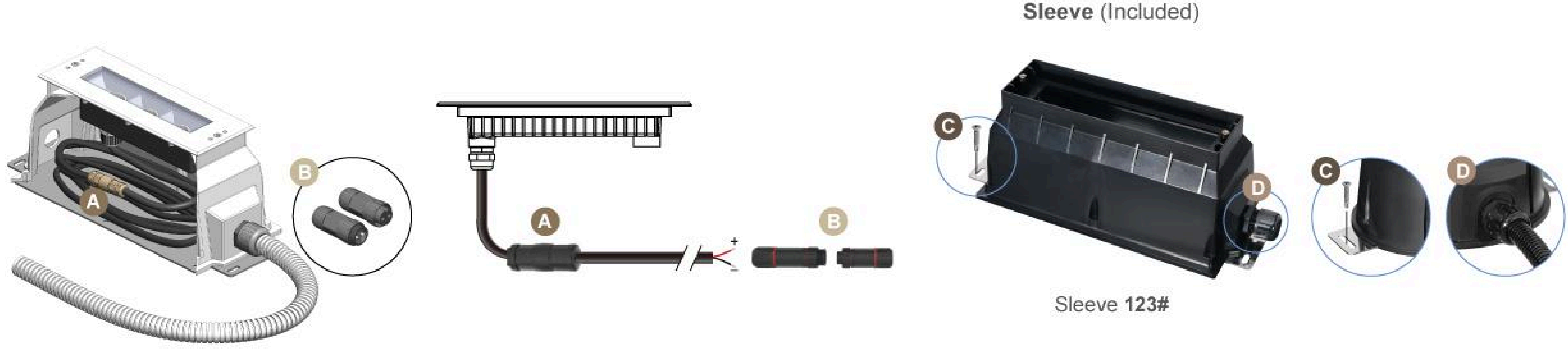


<b>Specification</b>	
Front Cover & Housing	Molding shaped 316L# Stainless steel Housing
Light Window	PC
Cable Gland	IP68 PG-11 copper with nickel-coated
Gasket	EPDM Gasket
Sleeve	PC/ABS ALLOYS
Operating Temperature	Temperature of water between -20°C~40°C Less than 2 meter depth
PCB	Excellent heat conductivity aluminum .coefficient of heat Conductivity≥2.0w/mk
Lens	Optical Lens,efficiency≥85%
LED Type	SMD
LED Driver	Built in on/off driver
Glass Pressure Capacity	8940kgs
Power Cable Optional	H07RN-F 2×1.0mm² with water-stopper, L=1m, 3m, 5m
Dimming Support	External DALI supported TRIAC,0-10V, PWM via external driver on request



**Water proof Solution**

- A Water-Stopper(Included)**  
The luminaires produce high temperatures during use, which can create negative pressure upon power-off, drawing water vapor through the power cable. Therefore, it is essential for the device to prevent water vapor ingress with water-stopper.
- B IP68 Jiffy quick plug/socket connector(Optional)**  
Along with water-stopper, this optional accessory acts as a fail-safe device for preventing vapor getting into the fixture via power cable. It is the also the most IP-rating securing device for wiring.
- C Fixator:**  
Easier mounting sleeve installment.
- D IP68 cable gland:**  
Prevents water from getting into the cable tube. P.s: Please prepare your own cable tube.



**Photometric**

