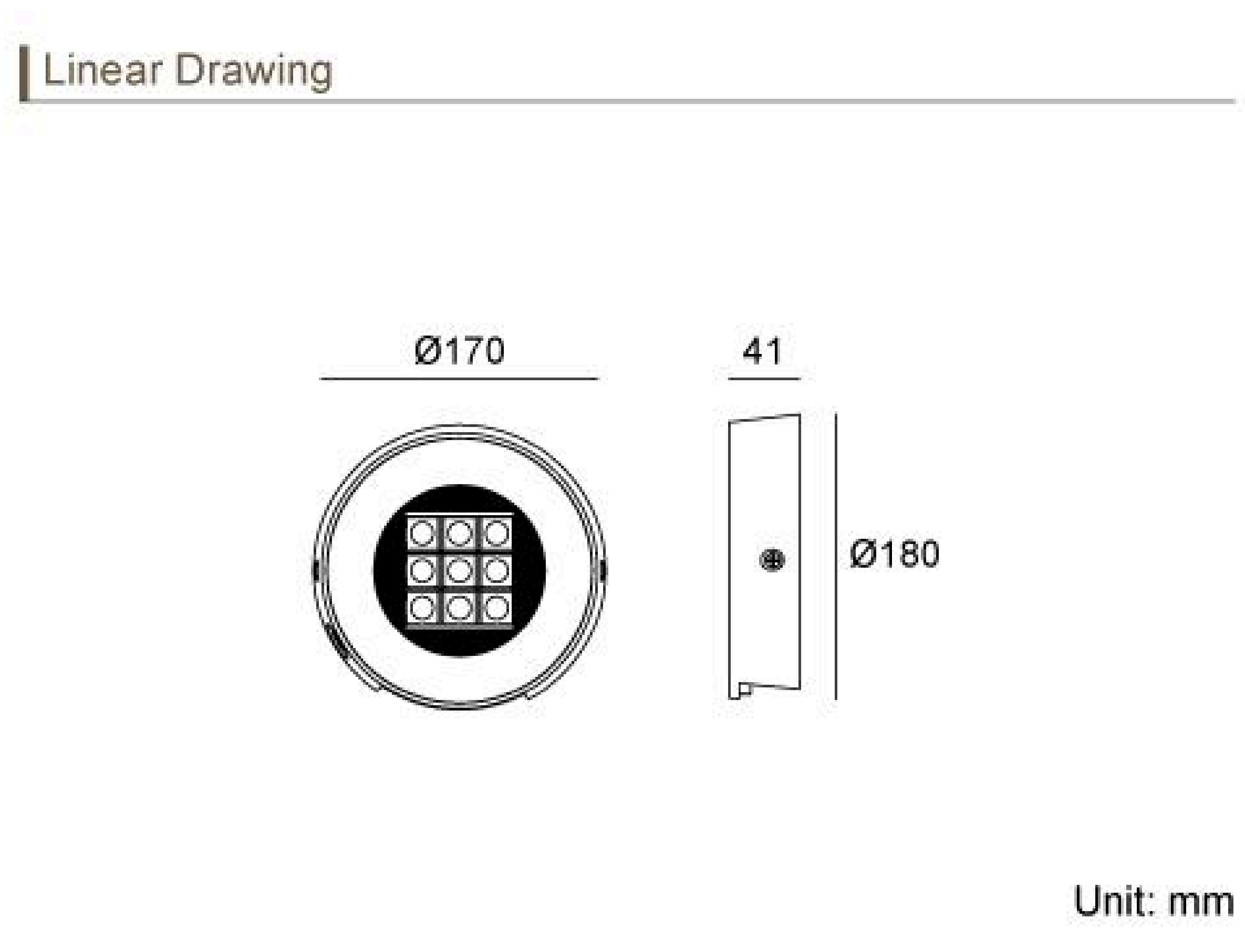


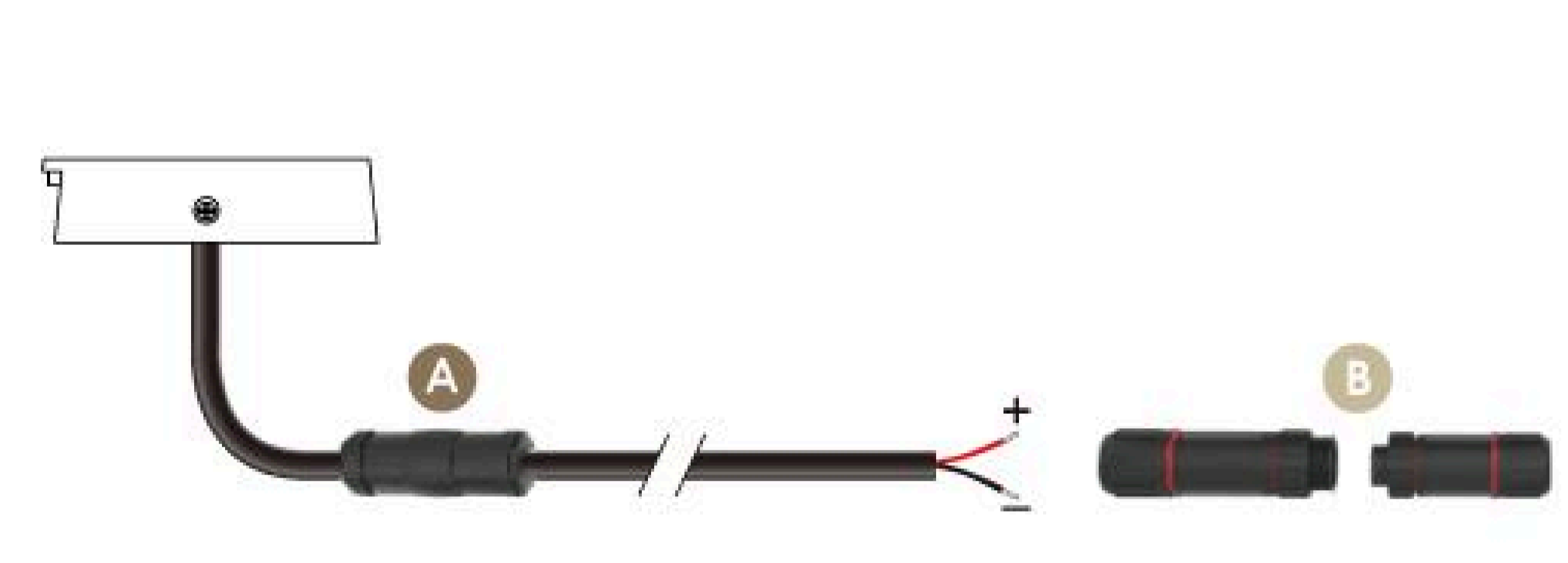
04KAB0958	
Light Source	9x2.5W
Lens	FB14B7
Selected Degree (°)θ1/2	24°
Input Voltage (V)	DC 24
Operating Current (MA)	24V=1083
Consumption (W)	24V=26
Luminance (LM)	VW=2300
IK	08



Specification	
Housing	Hard chromeplated molding shaped Stainless steel 316#
Front Cover	Hard chromeplated Stainless steel 316L#
Light Window	Step tempered Glass. T=8mm.
Cable Gland	IP68 PG-13.5 copper with nickel-coated
Gasket	Silicone Gasket
Operating Temperature	Temperature of water between -20°C~40°C Less than 2 meter depth
PCB	Excellen theat conductivity aluminum. coefficient of heat Conductivity≥2.0w/mk
LED Typet	SMD
LED Driver	Built in on/off driver
Glass Pressure Capacity	1095 kgs
Built-In Overheat Sensor System	Automatic Shutdown at 75°C
Power Cable Optional	H07RN-F 2×1.0mm ² with water-stopper, L=1m, 3m, 5m
Dimming Support	External DALI supported TRIAC,0-10V, PWM via external driver on request

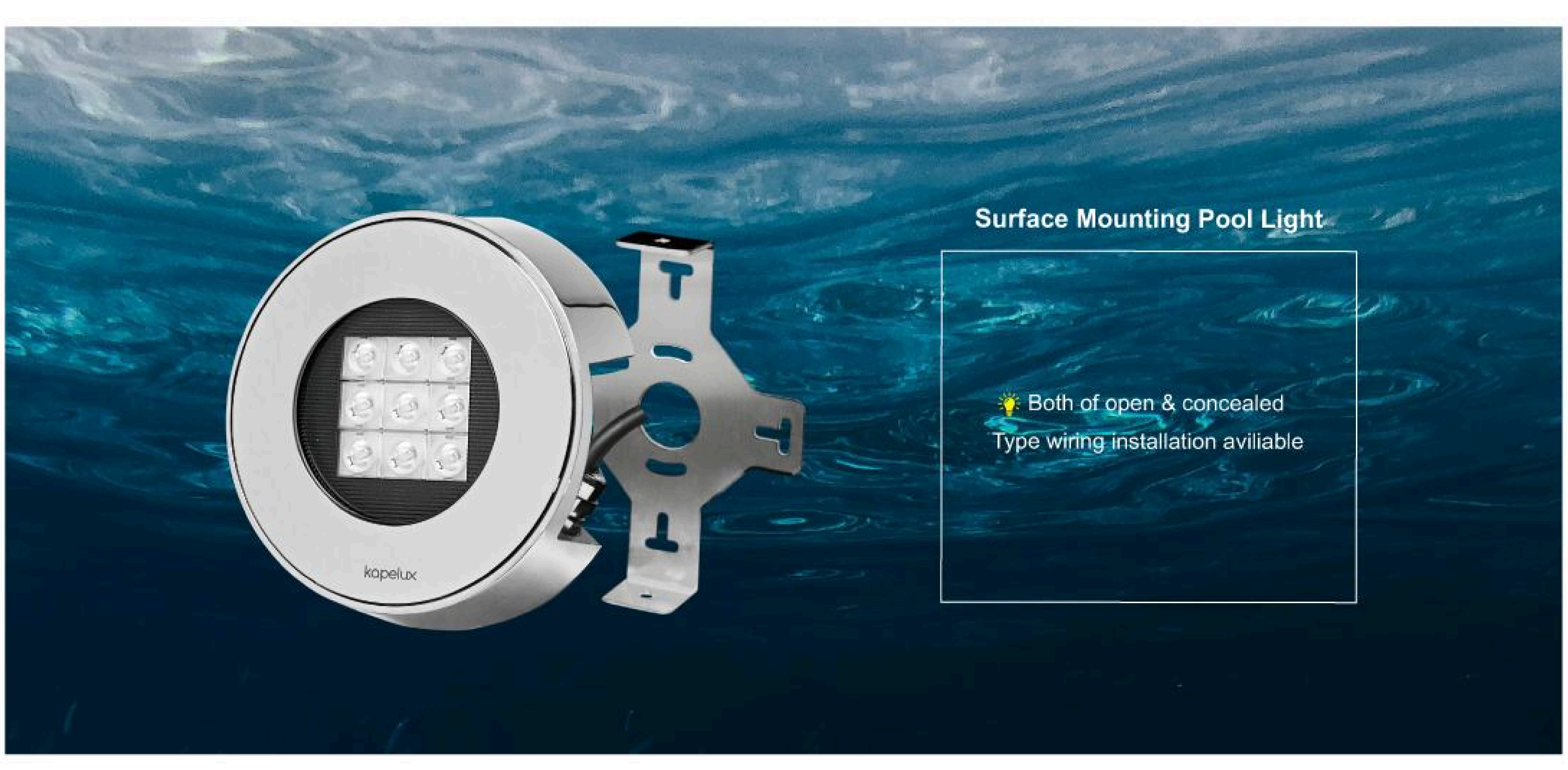
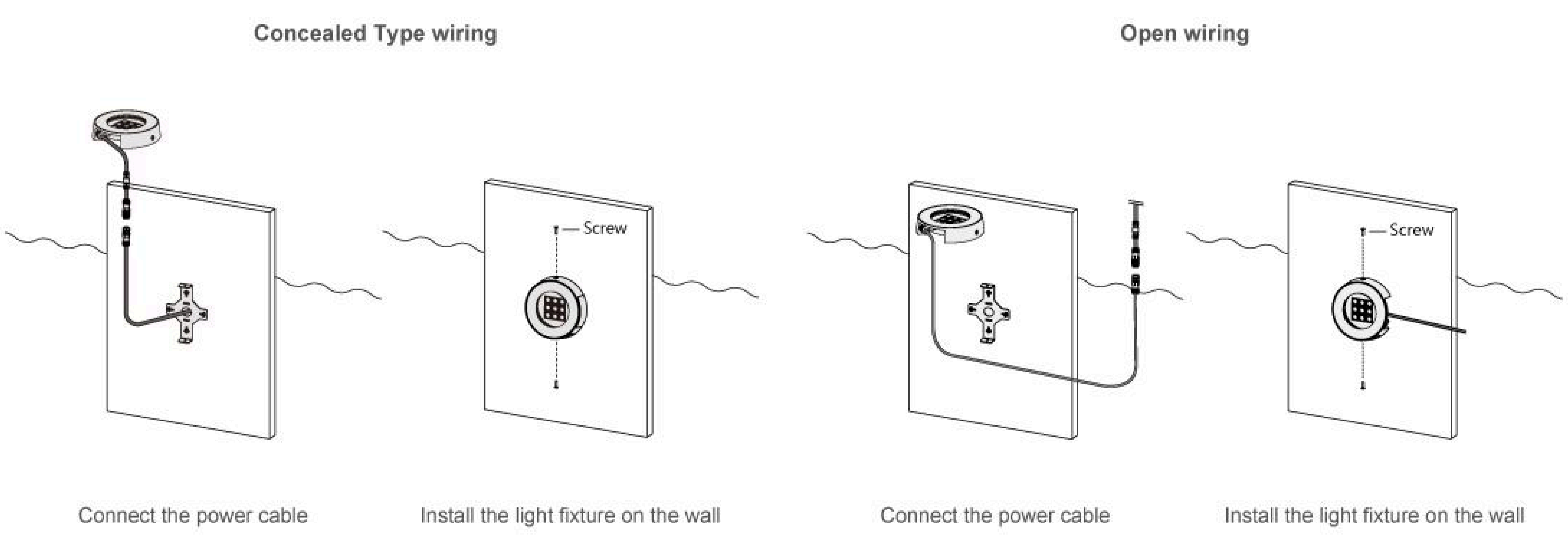
Lens (Item Code)	Referenced Degree(°)θ1/2
FB14B7	24°(B15A:20°) 35°(B15A:28°) 50°(B15A:30°)

Water proof Solution



- A Water-Stopper(Included)**
The luminaires produce high temperatures during use, which can create negative pressure upon power-off, drawing water vapor through the power cable. Therefore, it is essential for the device to prevent water vapor ingress with water-stopper.
- B IP68 Jiffy quick plug/socket connector(Option)**
Along with water-stopper, this optional accessory acts as a fail-safe device for preventing vapor getting into the fixture via power cable. It is the also the most IP-rating securing device for wiring.

Installation types by different wiring



Photometric

