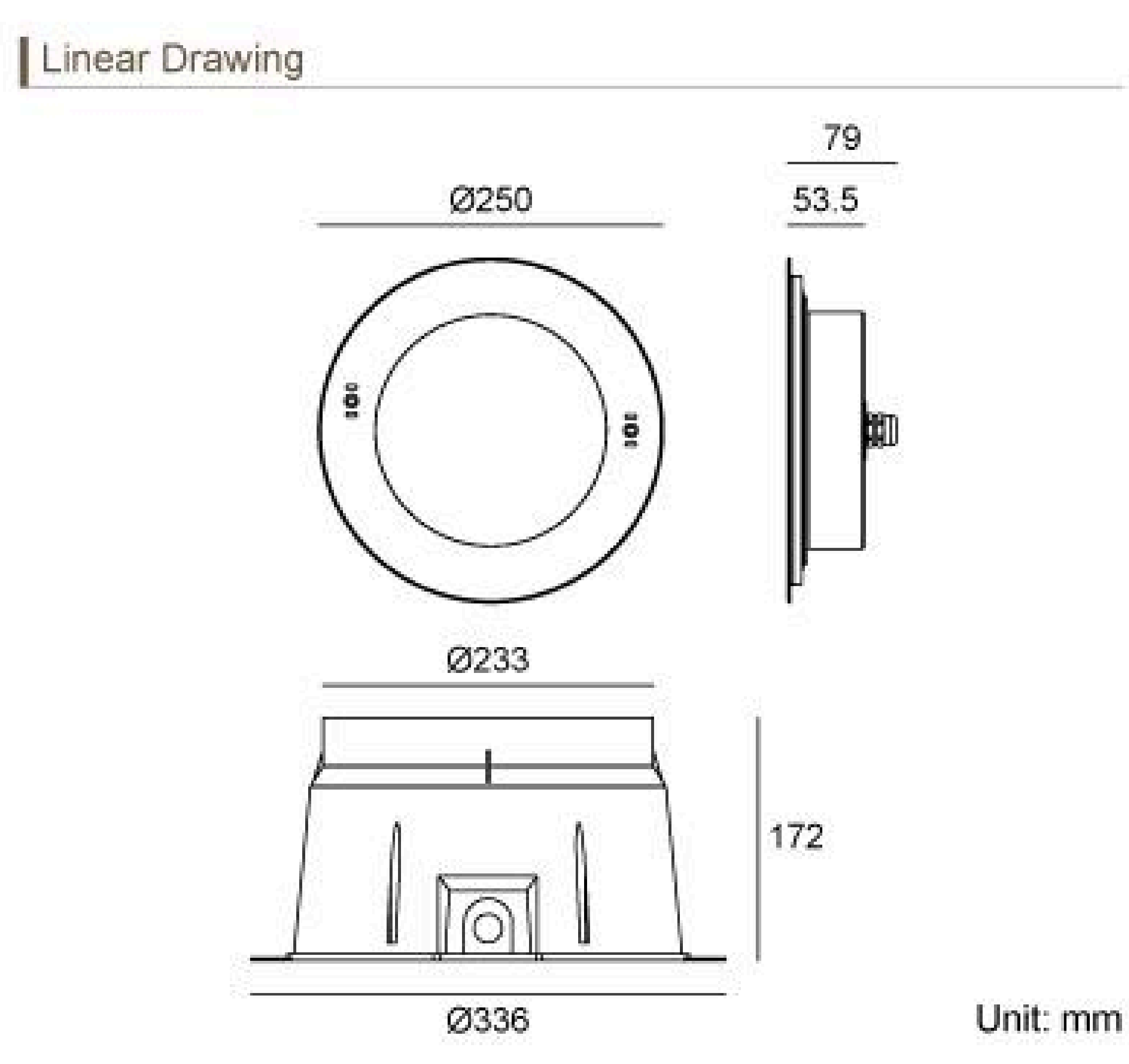


04FBCB3657K	
Light Source	36x1.8W
Lens	B116/B124
Selected Degree (°)θ1/2	40°
Input Voltage (V)	DC 12 24
Operating Current (MA)	12V=2900 24V=5888
Consumption (W)	70
Luminance (LM)	WW=6204
IK	10



Specification	
Front Cover & Housing	Hard chromeplated molding shaped stainless steel 316L#
Light Window	Step tempered glass. T=10mm
Cable Gland	IP68 PG-11 copper with nickel-coated
Gasket	Silicone Gasket
Sleeve	PC/ABS ALLOYS
Operating Temperature	Temperature of water between -20°C~40°C Less than 2 meter depth
PCB	Excellent heat conductivity aluminum .coefficient of heat Conductivity≥2.0w/mk
Lens	Optical Lens,efficiency≥85%
LED Type	SMD
LED Driver	Built in on/off driver
Glass Pressure Capacity	1934kgs
Built-in Overheat Sensor System	Automatic Shutdown at 75°C
Power Cable Optional	H07RN-F 2×1.0mm² with water-stopper, L=3m, 5m
Dimming Support	External DALI supported TRIAC,0-10V, PWM via external driver on request

Lens (Item Code)	Referenced Degree(°)θ1/2
 B116	20° 40° 60°
 B124	20° 40° 60°



Water proof Solution

- A Water-Stopper(Included)**
The luminaires produce high temperatures during use, which can create negative pressure upon power-off, drawing water vapor through the power cable. Therefore, it is essential for the device to prevent water vapor ingress with water-stopper.
- B IP68 Jiffy quick plug/socket connector(Optional)**
Along with water-stopper, this optional accessory acts as a fail-safe device for preventing vapor getting into the fixture via power cable. It is the also the most IP-rating securing device for wiring.
- C Fixator:**
Easier mounting sleeve installment.
- D IP68 cable gland:**
Prevents water from getting into the cable tube.
P.s: Please prepare your own cable tube.

