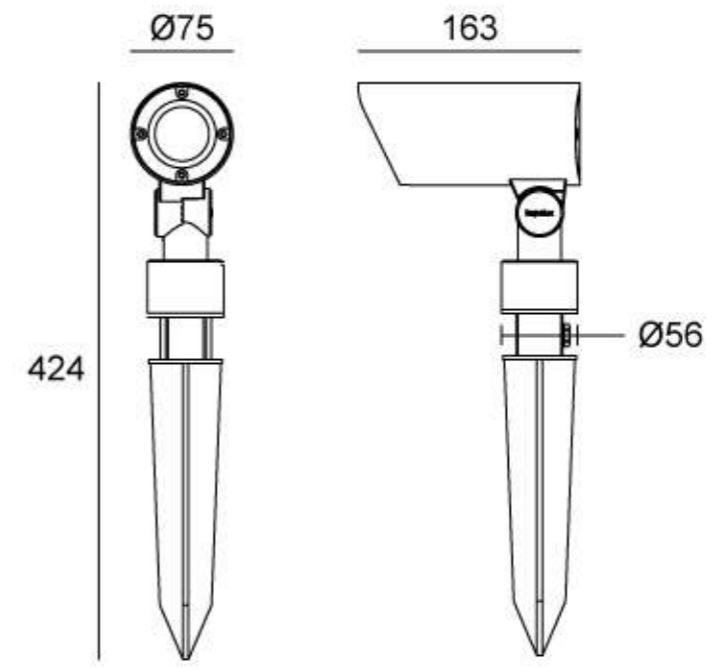


03PJSB0169

Light Source	1x16W
Lens	B112
Selected Degree (°)θ1/2	15°/24°/36°/50°
Input Voltage (V)	DC 24 AC 240
Operating Current (MA)	24V=700 240V=89
Consumption (W)	24V=17 240V=18.5
Luminance (LM)	WW=1689
IK	07

Linear Drawing



Unit: mm

Specification

Front Cover & Housing	ADC12# Die-Casting Aluminum.powder Painting
Lens	Optical Lens,efficiency≥85%
Light Window	Tempered glass.T= 4mm
Cable Gland	Nickel coated copper
Gasket	Tooling shaped seal
LED Driver	Built in on/off driver
Operating Temperature	-20°C~40°C
Power Cable	Outside of luminaire (Without waterstopper) 24VH05RN-F 2×1.0mm² L=0.3m 240V: H05RN-F 3×1.0mm² L=0.3m
LED Type	COB

Lens (Item Code)

Referenced Degree(°)θ1/2



B112

15° 24° 36° 50°

Painting Color

Primary



Sanded Black
RAL 9005

Secondary

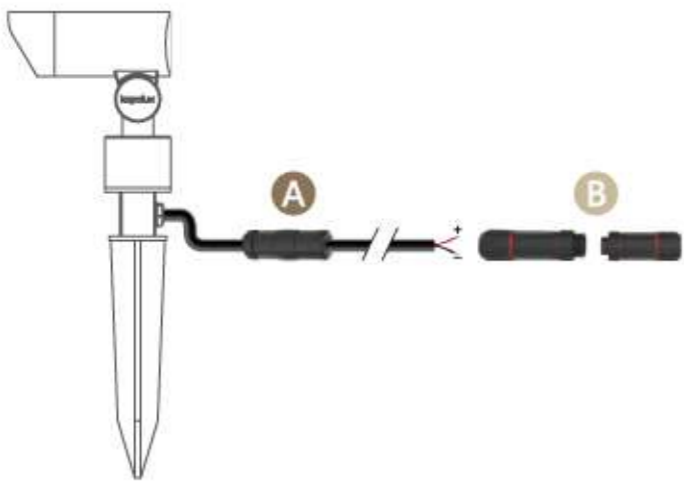


Sanded Dark Grey
KAP 7037



Sanded Bronze
KAP 7008

Water Proof Solution



A Water stopper(Included)

The luminaires produce high temperatures during use, which can create negative pressure upon power-off, drawing water vapor through the power cable. Therefore, it is essential for the device to prevent water vapor ingress with water-stopper.

B IP67 Jiffy quick plug/socket connector(Option)

Along with water-stopper, this optional accessory acts as a fail-safe device for preventing vapor getting into the fixture via power cable. It is the also the most IP-rating securing device for wiring.

Family Items



Overview

