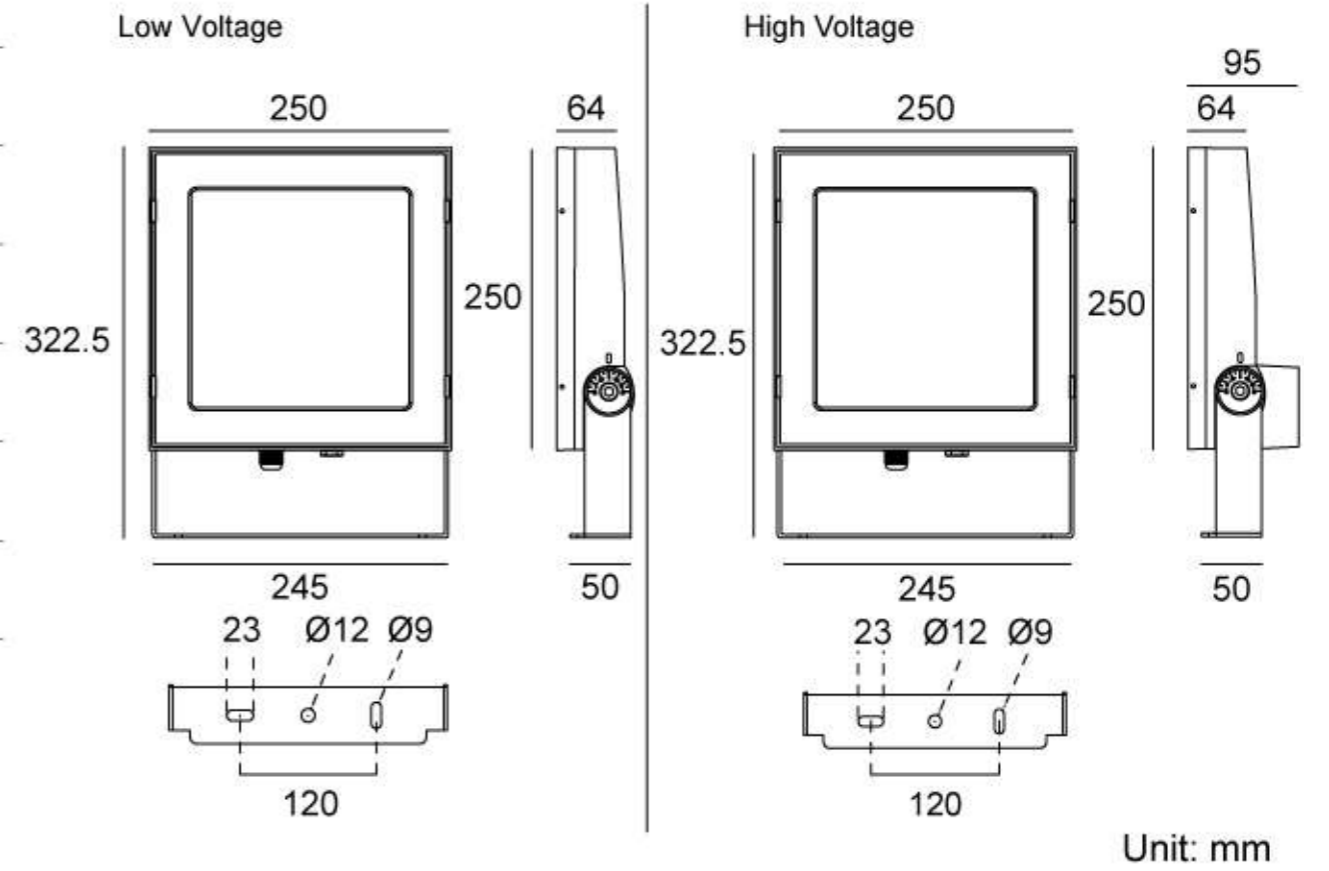


03HMKB3657

Light Source	36x2W
Lens	B124
Selected Degree (°)θ1/2	35°
Input Voltage (V)	DC 24 AC 240
Operating Current (MA)	24V=3420 240V=415
Consumption (W)	24V=82 240V=82
Luminance (LM)	WW=7300
IK	06

Linear Drawing



Specification

Housing	12# Die-casting Sanded Dark Grey powder coated aluminum T=60-80µm. Adhesion of ISO class 1/ASTM class 4B
Light Window	Tempered glass. T=3mm
Gasket	Tooling shaped seal
LED Type	SMD
LED Driver	Built in on/off driver
Power Cable	Outside of luminaire (Without waterstopper) 24V: H05RN-F 2×1.0mm ² , L=2.0m 240V: H05RN-F 3×1.0mm ² , L=2.0m
Dimming Support	External DALI supported TRIAC, 0-10V, PWM via external driver on request
Operating Temperature	-20°~40°C

Lens (Item Code)

Referenced Degree(°)θ1/2



B124

20° 40° 60°

Painting Color

Primary



Sanded Bronze
KAP 7008

Secondary



Sanded Dark Grey
KAP 7037



Sanded Black
RAL 9005

Optional (Accessories)

Spike
PC/ABS alloys



17A

Ø79



276

Stainless steel



13A

Ø79

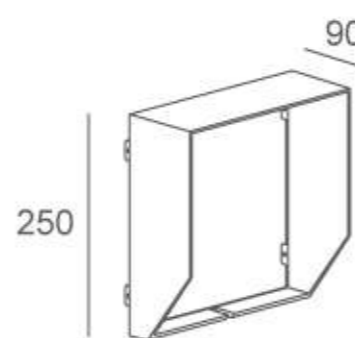


266

Bevel Cut Hood



CA3025



250

90



Water Proof Solution



A Water stopper(Included)

The luminaires produce high temperatures during use, which can create negative pressure upon power-off, drawing water vapor through the power cable. Therefore, it is essential for the device to prevent water vapor ingress with water-stopper.

B IP67 Jiffy quick plug/socket connector(Option)

Along with water-stopper, this optional accessory acts as a fail-safe device for preventing vapor getting into the fixture via power cable. It is also the most IP-rating securing device for wiring.