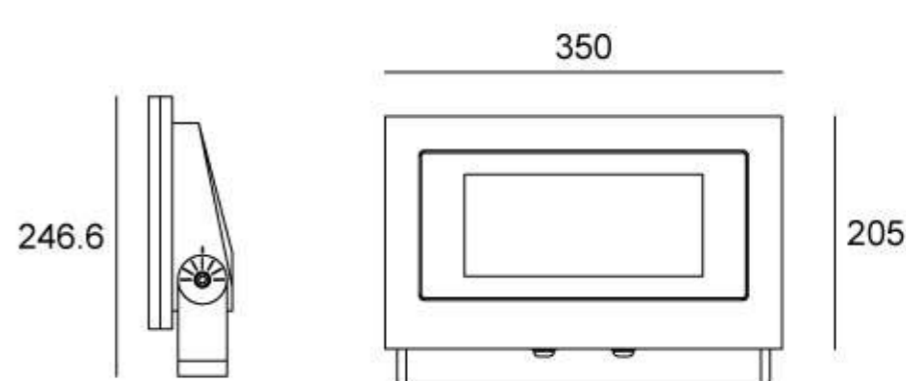


03HKAB2158

| | |
|-------------------------|----------------------------|
| Light Source | 21x3W |
| Lens | FB11B4 , FB12B5 |
| Selected Degree (°)θ1/2 | 45° |
| Input Voltage (V) | DC 24 AC 120 240 |
| Operating Current (MA) | 24V=2700 120V=502 240V=253 |
| Consumption (W) | 24V=65 120V=60.5 240V=58.8 |
| Luminance (LM) | WW=4787 |
| IK | 06 |

Linear Drawing



Unit: mm

Specification

| | |
|-----------------------|---|
| Housing | 12# Die-casting Sanded Dark Grey powder coated aluminum. T=60-80μm. Adhesion of ISO class 1/ASTM class 4B |
| Light Window | Tempered glass.T=3mm |
| Gasket | Tooling shaped seal |
| LED Type | SMD |
| Driver | Built in on/off driver |
| Operating Temperature | -20°C~40°C |
| Power Cable | Outside of luminaire (Without waterstopper) 24V: H05RN-F 2×1.0mm ² , L=2.0m 120V/240V: H05RN-F 3×1.0mm ² , L=2.0m |
| Dimming Support | External DALI supported TRIAC,0-10V,PWM via external driver on request |

Lens (Item Code)

Referenced Degree(°)θ1/2



FB11B4

9° 15° 20° 30° 45° 60°



FB12B5

9° 15° 20° 30° 45° 60°

Painting Color

Primary



Sanded Black
RAL 9005

Secondary



Sanded Dark Grey
KAP 7037

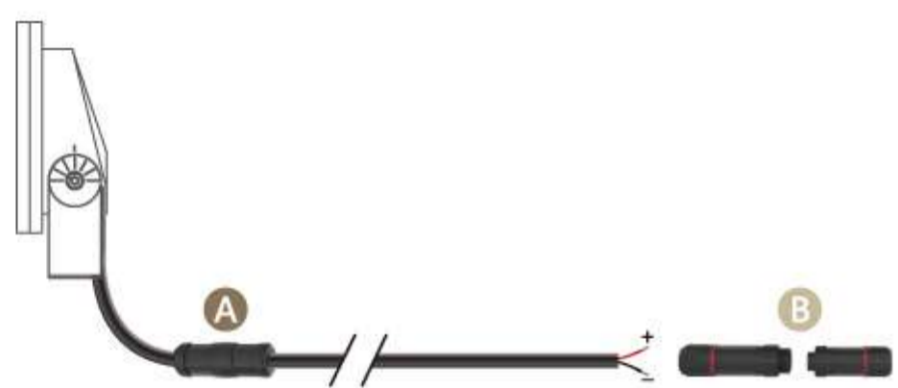


Sanded Bronze
KAP 7008



Sanded White
RAL 9003

Water Proof Solution



A Water stopper(Included)

The luminaires produce high temperatures during use, which can create negative pressure upon power-off, drawing water vapor through the power cable. Therefore, it is essential for the device to prevent water vapor ingress with water-stopper.

B IP67 Jiffy quick plug/socket connector(Option)

Along with water-stopper, this optional accessory acts as a fail-safe device for preventing vapor getting into the fixture via power cable. It is also the most IP-rating securing device for wiring.

Features



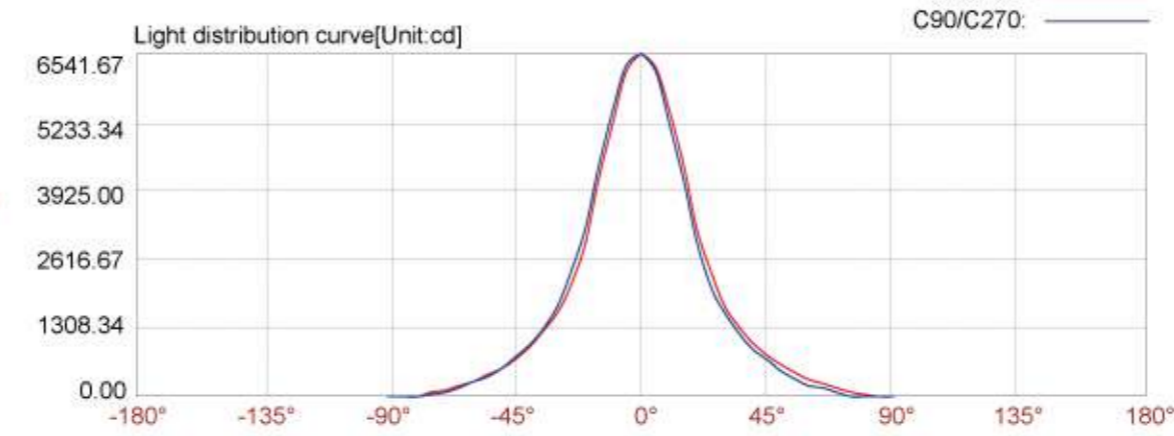
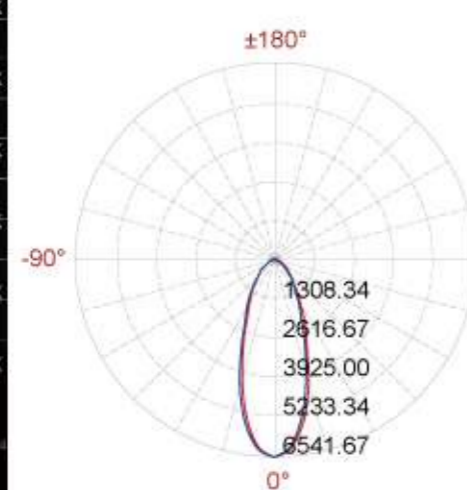
Gear:

The gear between the luminaire Housing and the U bracket to prevent sliding.



Photometric

| | |
|-----|-------------|
| 12m | 45.02 LUX |
| 11m | |
| 10m | 64.84 LUX |
| 9m | |
| 8m | 101.31 LUX |
| 7m | |
| 6m | 180.10 LUX |
| 5m | |
| 4m | 405.22 LUX |
| 3m | |
| 2m | 1620.88 LUX |
| 1m | |



| Center beam LUX | Illuminance at a distance | |
|-----------------|---------------------------|--------------|
| | Beam width V | Beam width H |
| 2m | 1.4m | 1.4m |
| 4m | 2.8m | 2.8m |
| 6m | 4.1m | 4.2m |
| 8m | 5.5m | 5.5m |
| 10m | 6.9m | 6.9m |
| 12m | 8.3m | 8.3m |