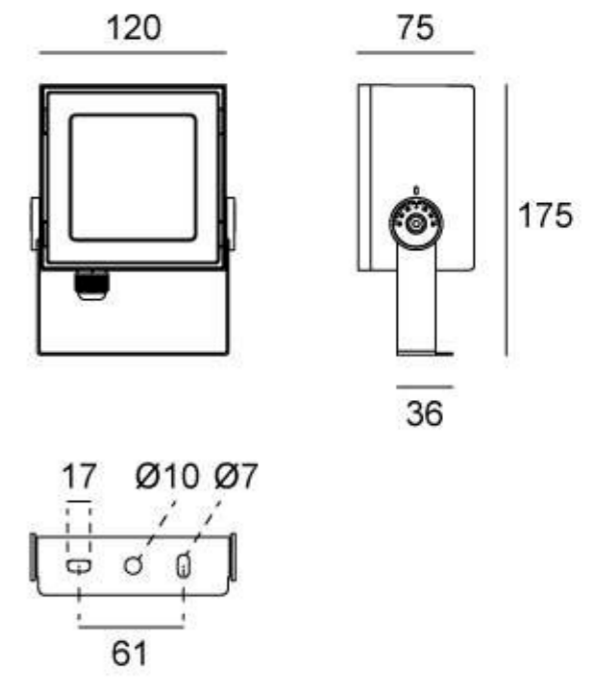


03EMPC0458

Light Source	4x3W
Lens	C20
Selected Degree (°)θ1/2	72° x 42°
Input Voltage (V)	AC 120 240
Operating Current (MA)	120V=106 240V=56
Consumption (W)	120V/240V=12.6
Luminance (LM)	WW=730
IK	06

Linear Drawing



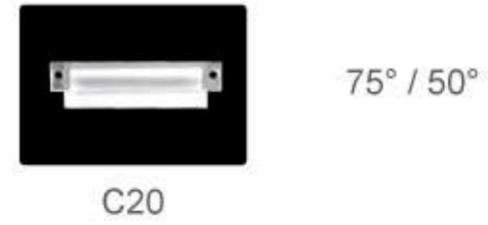
Unit: mm

Specification

Housing	12# Die-casting Sanded Dark Grey powder coated aluminum T=60-80µm. Adhesion of ISO class 1/ASTM class 4B
Light Window	Tempered glass. T=3mm
Cable Gland	IP68 PG-9 PA66
Gasket	Waterproof silicone gasket
LED Type	SMD
Driver	Built in on/off driver
Operating Temperature	-20°~40°C
Power Cable	Outside of luminaire (Without waterstopper) 120V/240V: H05RN-F 3×1.0mm², L=2.0m

Lens (Item Code)

Referenced Degree(°)θ1/2



Painting Color

Primary



Sanded Black
RAL 9005

Secondary



Sanded Dark Grey
KAP 7037



Sanded Bronze
KAP 7008



Sanded White
RAL 9003

Optional (Accessories)

Spike PC/ABS alloys



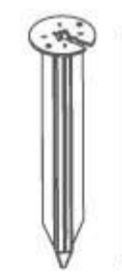
Ø79



Stainless steel



Ø79



Water Proof Solution



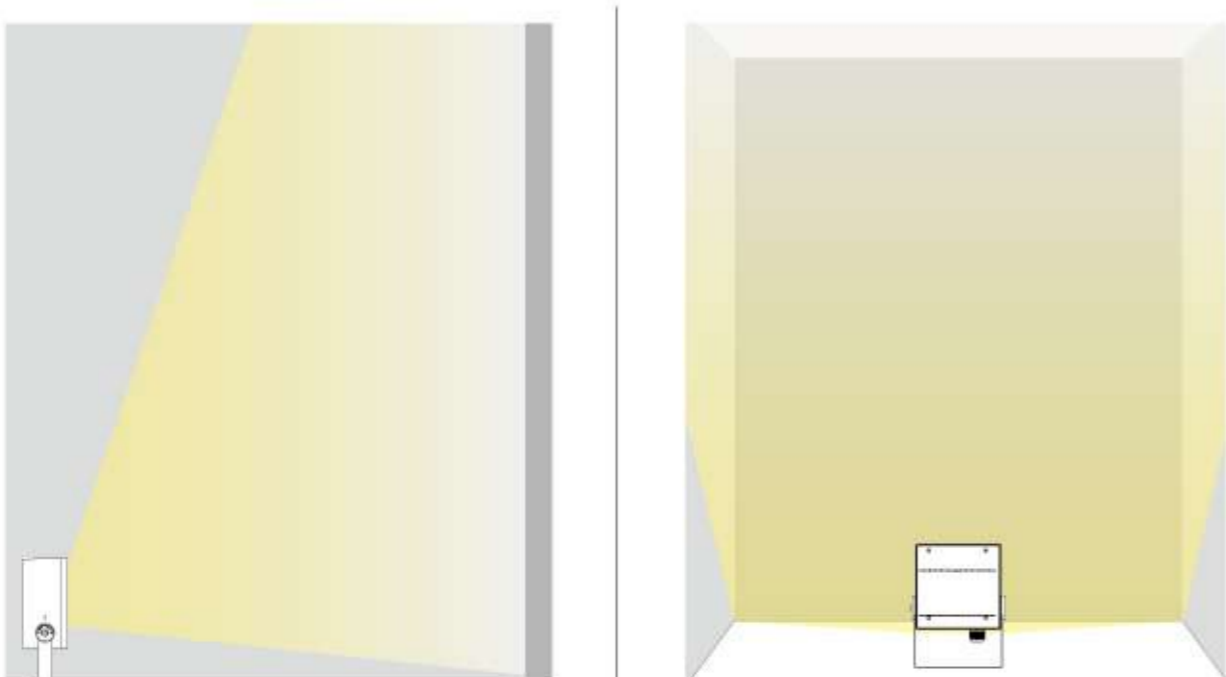
A Water stopper(Included)

The luminaires produce high temperatures during use, which can create negative pressure upon power-off, drawing water vapor through the power cable. Therefore, it is essential for the device to prevent water vapor ingress with water-stopper.

B IP67 Jiffy quick plug/socket connector(Optional)

Along with water-stopper, this optional accessory acts as a fail-safe device for preventing vapor getting into the fixture via power cable. It is also the most IP-rating securing device for wiring.

Beam Demo



Family Item Application

Surface Mounting Wall Light



07EMGC0458